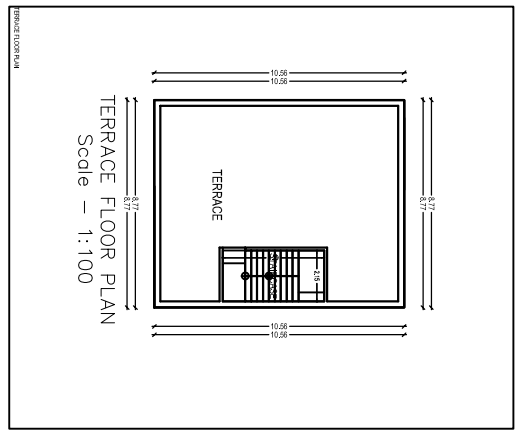
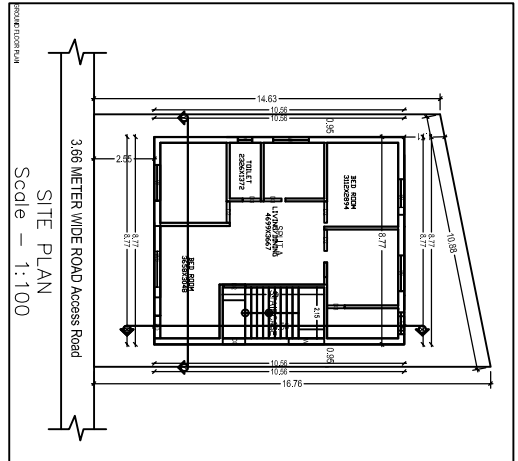
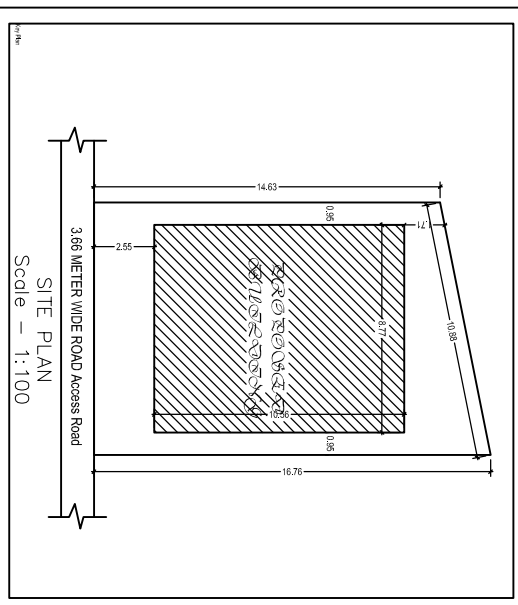
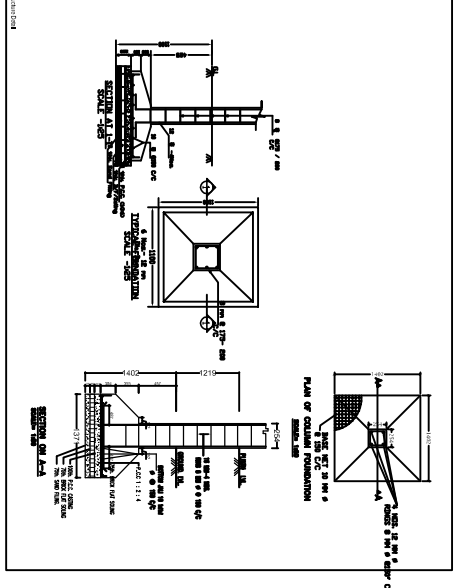
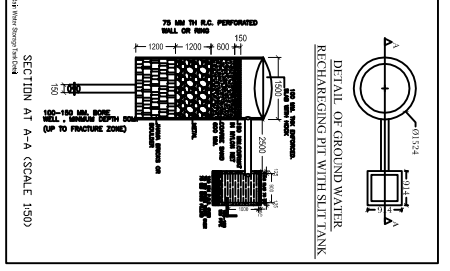
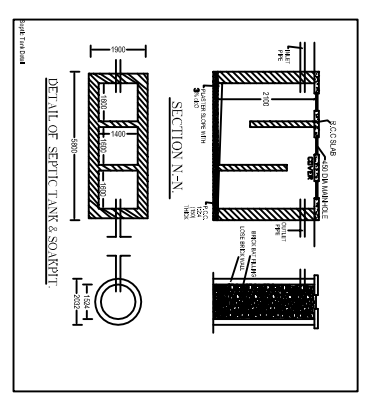
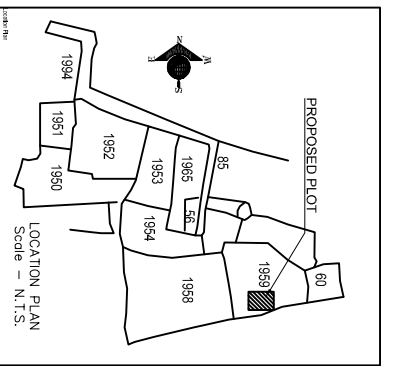
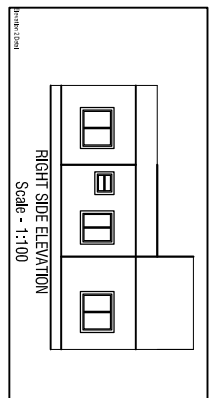
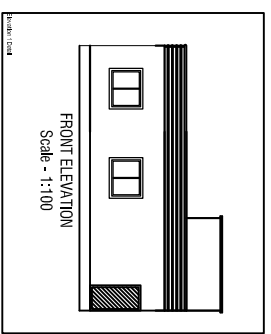
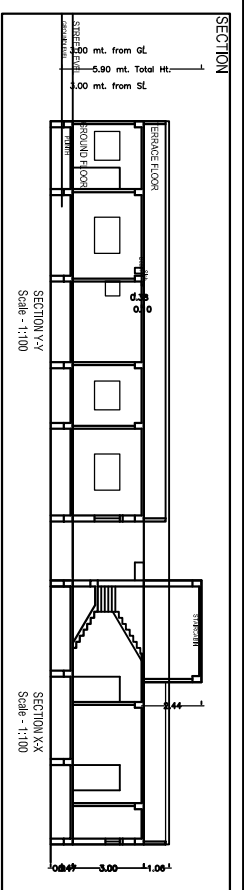


# Project Title : SHRIPAT KUMAR



Balaji A Shripat Kumar

Particulars	Area (sq.m)	Volume (cu.m)	Area (sq.m)	Volume (cu.m)
Ground Floor	10.00	10.00	10.00	10.00
Roof Top	10.00	10.00	10.00	10.00
Terrace	10.00	10.00	10.00	10.00
Column	10.00	10.00	10.00	10.00
Beam	10.00	10.00	10.00	10.00
Slab	10.00	10.00	10.00	10.00
Wall	10.00	10.00	10.00	10.00
Door	10.00	10.00	10.00	10.00
Window	10.00	10.00	10.00	10.00
Stair	10.00	10.00	10.00	10.00
Other	10.00	10.00	10.00	10.00
<b>Total</b>	<b>100.00</b>	<b>100.00</b>	<b>100.00</b>	<b>100.00</b>

SCHEDULE OF JOINTS:

Joint No.	Location	Material	Thickness
1	Roof Top	Concrete	100
2	Ground Floor	Concrete	100
3	Column	Concrete	100
4	Beam	Concrete	100
5	Slab	Concrete	100
6	Wall	Concrete	100
7	Door	Concrete	100
8	Window	Concrete	100
9	Stair	Concrete	100
10	Other	Concrete	100

UNBILTA Table for Building A (Shripat Kumar)

Sl. No.	Particulars	Area (sq.m)	Volume (cu.m)	Area (sq.m)	Volume (cu.m)
1	Ground Floor	10.00	10.00	10.00	10.00
2	Roof Top	10.00	10.00	10.00	10.00
3	Terrace	10.00	10.00	10.00	10.00
4	Column	10.00	10.00	10.00	10.00
5	Beam	10.00	10.00	10.00	10.00
6	Slab	10.00	10.00	10.00	10.00
7	Wall	10.00	10.00	10.00	10.00
8	Door	10.00	10.00	10.00	10.00
9	Window	10.00	10.00	10.00	10.00
10	Stair	10.00	10.00	10.00	10.00
11	Other	10.00	10.00	10.00	10.00
<b>Total</b>	<b>100.00</b>	<b>100.00</b>	<b>100.00</b>	<b>100.00</b>	<b>100.00</b>

PROPOSED RESIDENTIAL BUILDING PLAN OF  
**SHRIPAT KUMAR**  
 S/O RAM KISHON SINGH  
 PLOT NO. - 1959 , NH/1A NO.- 58  
 VILLAGE - PAKUR  
 WARD NO.- 4, THANA NO.- 128  
 HOLDING NO.- 00900028900042  
 DISTRICT - PAKUR  
 STATE - JHARKHAND.

Applicant's Signature: \_\_\_\_\_  
 SIGNATURE OF I.C.E. ENGINEER

SCHEDULE OF DOOR & WINDOWS

TYPE	WIDTH	HT.	NO.	DISPOSITION
D1	2.10	2.10	02	FRONT DOOR
D2	2.10	2.10	02	BACK DOOR
D3	2.10	2.10	02	STAIR DOOR
D4	2.10	2.10	02	TERACE DOOR
D5	2.10	2.10	02	ROOF TOP DOOR
D6	2.10	2.10	02	OTHER DOOR
D7	2.10	2.10	02	OTHER DOOR
D8	2.10	2.10	02	OTHER DOOR
D9	2.10	2.10	02	OTHER DOOR
D10	2.10	2.10	02	OTHER DOOR
D11	2.10	2.10	02	OTHER DOOR
D12	2.10	2.10	02	OTHER DOOR
D13	2.10	2.10	02	OTHER DOOR
D14	2.10	2.10	02	OTHER DOOR
D15	2.10	2.10	02	OTHER DOOR
D16	2.10	2.10	02	OTHER DOOR
D17	2.10	2.10	02	OTHER DOOR
D18	2.10	2.10	02	OTHER DOOR
D19	2.10	2.10	02	OTHER DOOR
D20	2.10	2.10	02	OTHER DOOR
D21	2.10	2.10	02	OTHER DOOR
D22	2.10	2.10	02	OTHER DOOR
D23	2.10	2.10	02	OTHER DOOR
D24	2.10	2.10	02	OTHER DOOR
D25	2.10	2.10	02	OTHER DOOR
D26	2.10	2.10	02	OTHER DOOR
D27	2.10	2.10	02	OTHER DOOR
D28	2.10	2.10	02	OTHER DOOR
D29	2.10	2.10	02	OTHER DOOR
D30	2.10	2.10	02	OTHER DOOR
D31	2.10	2.10	02	OTHER DOOR
D32	2.10	2.10	02	OTHER DOOR
D33	2.10	2.10	02	OTHER DOOR
D34	2.10	2.10	02	OTHER DOOR
D35	2.10	2.10	02	OTHER DOOR
D36	2.10	2.10	02	OTHER DOOR
D37	2.10	2.10	02	OTHER DOOR
D38	2.10	2.10	02	OTHER DOOR
D39	2.10	2.10	02	OTHER DOOR
D40	2.10	2.10	02	OTHER DOOR
D41	2.10	2.10	02	OTHER DOOR
D42	2.10	2.10	02	OTHER DOOR
D43	2.10	2.10	02	OTHER DOOR
D44	2.10	2.10	02	OTHER DOOR
D45	2.10	2.10	02	OTHER DOOR
D46	2.10	2.10	02	OTHER DOOR
D47	2.10	2.10	02	OTHER DOOR
D48	2.10	2.10	02	OTHER DOOR
D49	2.10	2.10	02	OTHER DOOR
D50	2.10	2.10	02	OTHER DOOR
D51	2.10	2.10	02	OTHER DOOR
D52	2.10	2.10	02	OTHER DOOR
D53	2.10	2.10	02	OTHER DOOR
D54	2.10	2.10	02	OTHER DOOR
D55	2.10	2.10	02	OTHER DOOR
D56	2.10	2.10	02	OTHER DOOR
D57	2.10	2.10	02	OTHER DOOR
D58	2.10	2.10	02	OTHER DOOR
D59	2.10	2.10	02	OTHER DOOR
D60	2.10	2.10	02	OTHER DOOR
D61	2.10	2.10	02	OTHER DOOR
D62	2.10	2.10	02	OTHER DOOR
D63	2.10	2.10	02	OTHER DOOR
D64	2.10	2.10	02	OTHER DOOR
D65	2.10	2.10	02	OTHER DOOR
D66	2.10	2.10	02	OTHER DOOR
D67	2.10	2.10	02	OTHER DOOR
D68	2.10	2.10	02	OTHER DOOR
D69	2.10	2.10	02	OTHER DOOR
D70	2.10	2.10	02	OTHER DOOR
D71	2.10	2.10	02	OTHER DOOR
D72	2.10	2.10	02	OTHER DOOR
D73	2.10	2.10	02	OTHER DOOR
D74	2.10	2.10	02	OTHER DOOR
D75	2.10	2.10	02	OTHER DOOR
D76	2.10	2.10	02	OTHER DOOR
D77	2.10	2.10	02	OTHER DOOR
D78	2.10	2.10	02	OTHER DOOR
D79	2.10	2.10	02	OTHER DOOR
D80	2.10	2.10	02	OTHER DOOR
D81	2.10	2.10	02	OTHER DOOR
D82	2.10	2.10	02	OTHER DOOR
D83	2.10	2.10	02	OTHER DOOR
D84	2.10	2.10	02	OTHER DOOR
D85	2.10	2.10	02	OTHER DOOR
D86	2.10	2.10	02	OTHER DOOR
D87	2.10	2.10	02	OTHER DOOR
D88	2.10	2.10	02	OTHER DOOR
D89	2.10	2.10	02	OTHER DOOR
D90	2.10	2.10	02	OTHER DOOR
D91	2.10	2.10	02	OTHER DOOR
D92	2.10	2.10	02	OTHER DOOR
D93	2.10	2.10	02	OTHER DOOR
D94	2.10	2.10	02	OTHER DOOR
D95	2.10	2.10	02	OTHER DOOR
D96	2.10	2.10	02	OTHER DOOR
D97	2.10	2.10	02	OTHER DOOR
D98	2.10	2.10	02	OTHER DOOR
D99	2.10	2.10	02	OTHER DOOR
D100	2.10	2.10	02	OTHER DOOR

COORINEX

Sl. No.	Name	Address	Phone No.
1	Shripat Kumar	Plot No. 1959, NH/1A No. 58, Pakur	9876543210
2	Ram Kishon Singh	Plot No. 1959, NH/1A No. 58, Pakur	9876543210
3	Other	Plot No. 1959, NH/1A No. 58, Pakur	9876543210
4	Other	Plot No. 1959, NH/1A No. 58, Pakur	9876543210
5	Other	Plot No. 1959, NH/1A No. 58, Pakur	9876543210
6	Other	Plot No. 1959, NH/1A No. 58, Pakur	9876543210
7	Other	Plot No. 1959, NH/1A No. 58, Pakur	9876543210
8	Other	Plot No. 1959, NH/1A No. 58, Pakur	9876543210
9	Other	Plot No. 1959, NH/1A No. 58, Pakur	9876543210
10	Other	Plot No. 1959, NH/1A No. 58, Pakur	9876543210
11	Other	Plot No. 1959, NH/1A No. 58, Pakur	9876543210
12	Other	Plot No. 1959, NH/1A No. 58, Pakur	9876543210
13	Other	Plot No. 1959, NH/1A No. 58, Pakur	9876543210
14	Other	Plot No. 1959, NH/1A No. 58, Pakur	9876543210
15	Other	Plot No. 1959, NH/1A No. 58, Pakur	9876543210
16	Other	Plot No. 1959, NH/1A No. 58, Pakur	9876543210
17	Other	Plot No. 1959, NH/1A No. 58, Pakur	9876543210
18	Other	Plot No. 1959, NH/1A No. 58, Pakur	9876543210
19	Other	Plot No. 1959, NH/1A No. 58, Pakur	9876543210
20	Other	Plot No. 1959, NH/1A No. 58, Pakur	9876543210
21	Other	Plot No. 1959, NH/1A No. 58, Pakur	9876543210
22	Other	Plot No. 1959, NH/1A No. 58, Pakur	9876543210
23	Other	Plot No. 1959, NH/1A No. 58, Pakur	9876543210
24	Other	Plot No. 1959, NH/1A No. 58, Pakur	9876543210
25	Other	Plot No. 1959, NH/1A No. 58, Pakur	9876543210
26	Other	Plot No. 1959, NH/1A No. 58, Pakur	9876543210
27	Other	Plot No. 1959, NH/1A No. 58, Pakur	9876543210
28	Other	Plot No. 1959, NH/1A No. 58, Pakur	9876543210
29	Other	Plot No. 1959, NH/1A No. 58, Pakur	9876543210
30	Other	Plot No. 1959, NH/1A No. 58, Pakur	9876543210
31	Other	Plot No. 1959, NH/1A No. 58, Pakur	9876543210
32	Other	Plot No. 1959, NH/1A No. 58, Pakur	9876543210
33	Other	Plot No. 1959, NH/1A No. 58, Pakur	9876543210
34	Other	Plot No. 1959, NH/1A No. 58, Pakur	9876543210
35	Other	Plot No. 1959, NH/1A No. 58, Pakur	9876543210
36	Other	Plot No. 1959, NH/1A No. 58, Pakur	9876543210
37	Other	Plot No. 1959, NH/1A No. 58, Pakur	9876543210
38	Other	Plot No. 1959, NH/1A No. 58, Pakur	9876543210
39	Other	Plot No. 1959, NH/1A No. 58, Pakur	9876543210
40	Other	Plot No. 1959, NH/1A No. 58, Pakur	9876543210
41	Other	Plot No. 1959, NH/1A No. 58, Pakur	9876543210
42	Other	Plot No. 1959, NH/1A No. 58, Pakur	9876543210
43	Other	Plot No. 1959, NH/1A No. 58, Pakur	9876543210
44	Other	Plot No. 1959, NH/1A No. 58, Pakur	9876543210
45	Other	Plot No. 1959, NH/1A No. 58, Pakur	9876543210
46	Other	Plot No. 1959, NH/1A No. 58, Pakur	9876543210
47	Other	Plot No. 1959, NH/1A No. 58, Pakur	9876543210
48	Other	Plot No. 1959, NH/1A No. 58, Pakur	9876543210
49	Other	Plot No. 1959, NH/1A No. 58, Pakur	9876543210
50	Other	Plot No. 1959, NH/1A No. 58, Pakur	9876543210
51	Other	Plot No. 1959, NH/1A No. 58, Pakur	9876543210
52	Other	Plot No. 1959, NH/1A No. 58, Pakur	9876543210
53	Other	Plot No. 1959, NH/1A No. 58, Pakur	9876543210
54	Other	Plot No. 1959, NH/1A No. 58, Pakur	9876543210
55	Other	Plot No. 1959, NH/1A No. 58, Pakur	9876543210
56	Other	Plot No. 1959, NH/1A No. 58, Pakur	9876543210
57	Other	Plot No. 1959, NH/1A No. 58, Pakur	9876543210
58	Other		