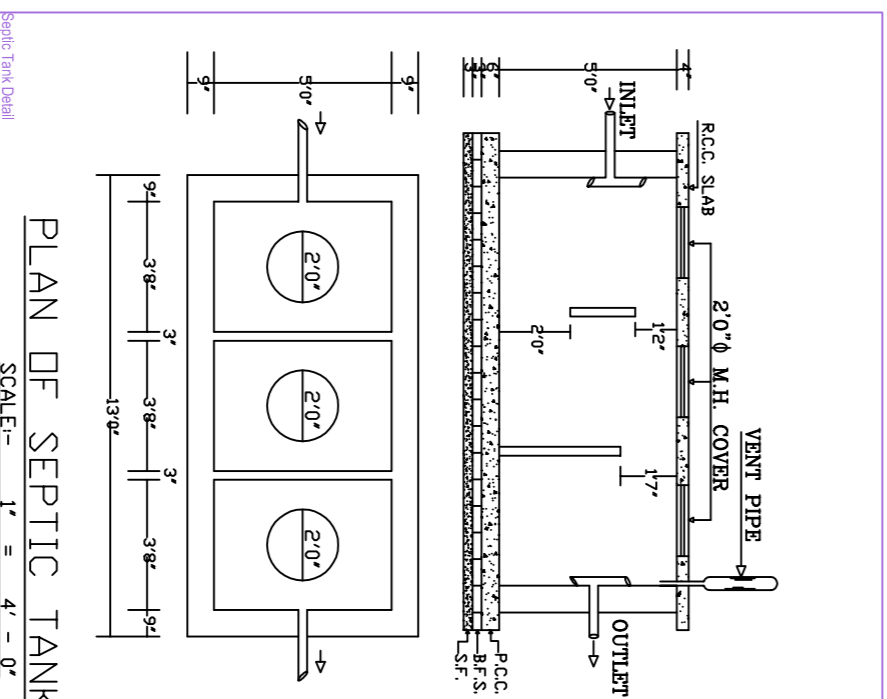
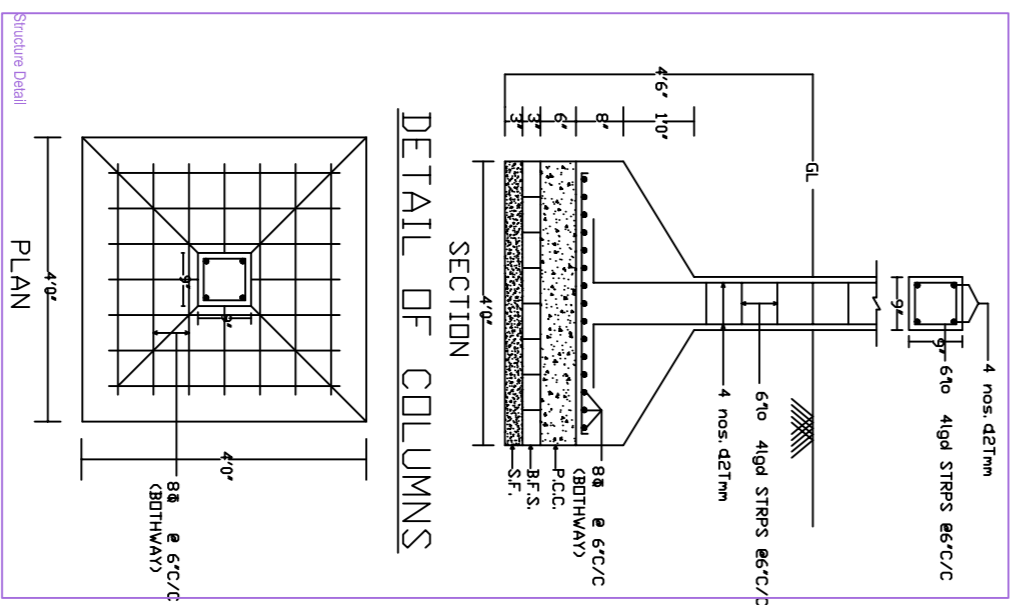
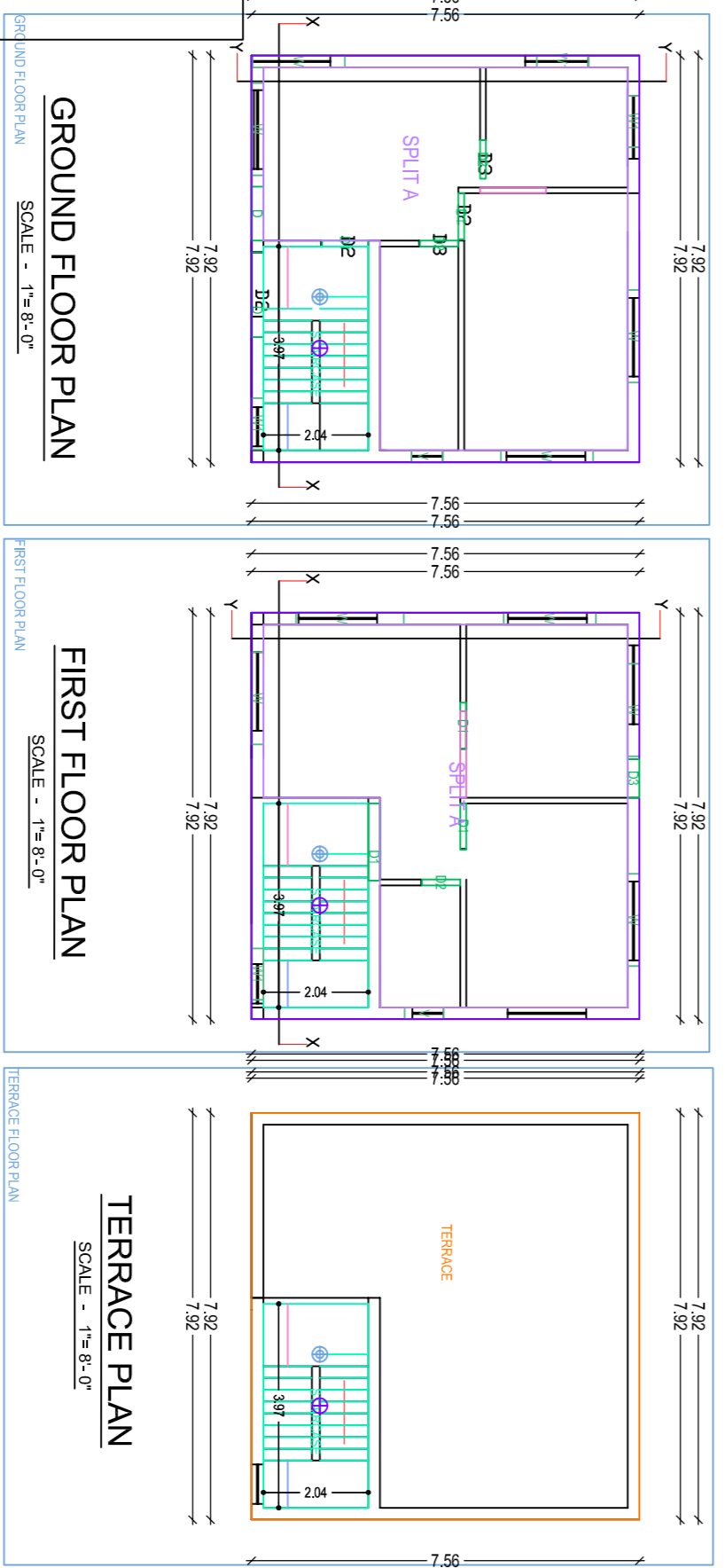
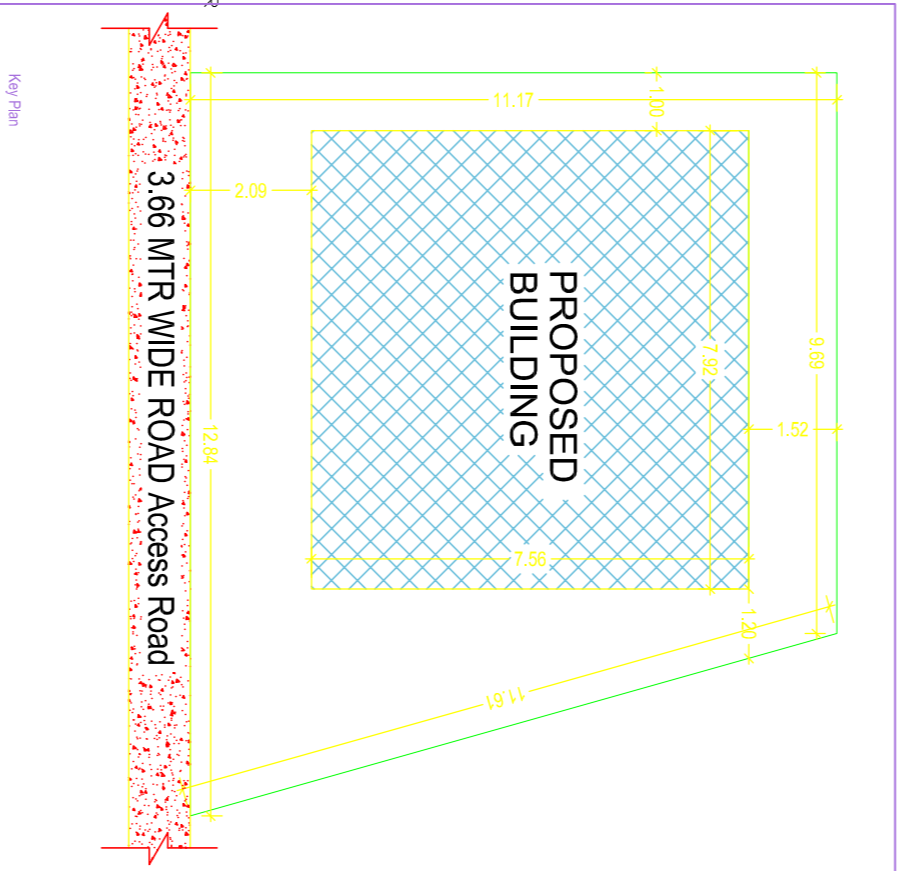
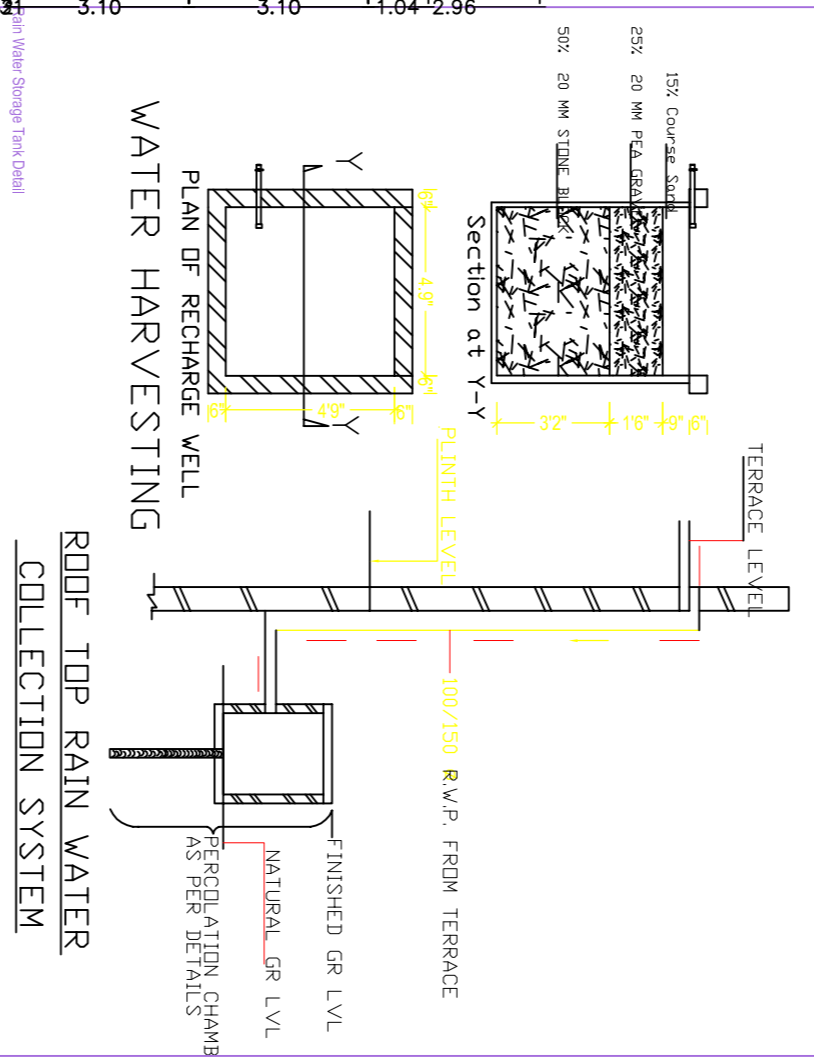
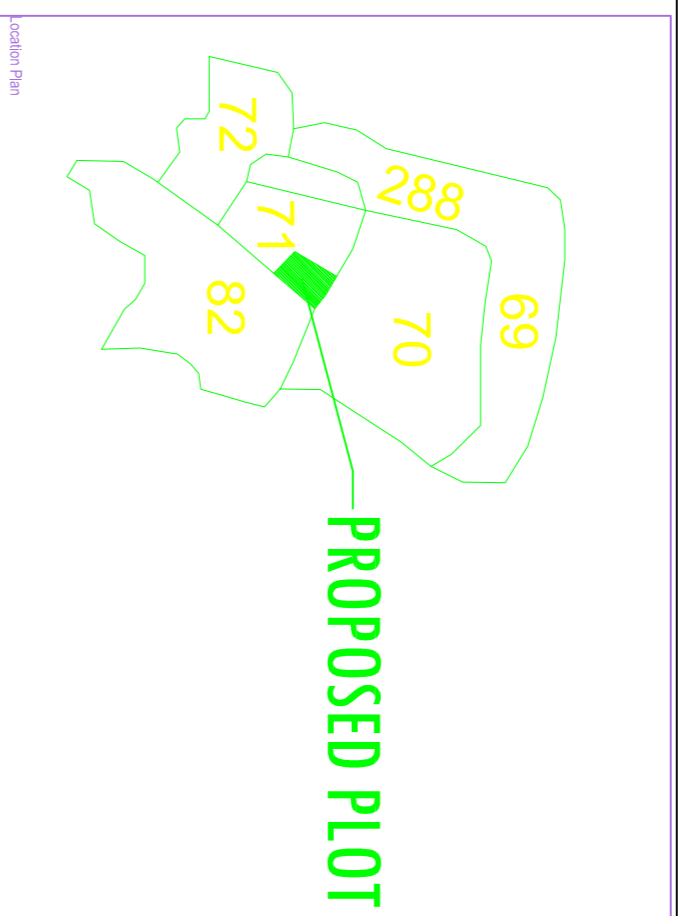
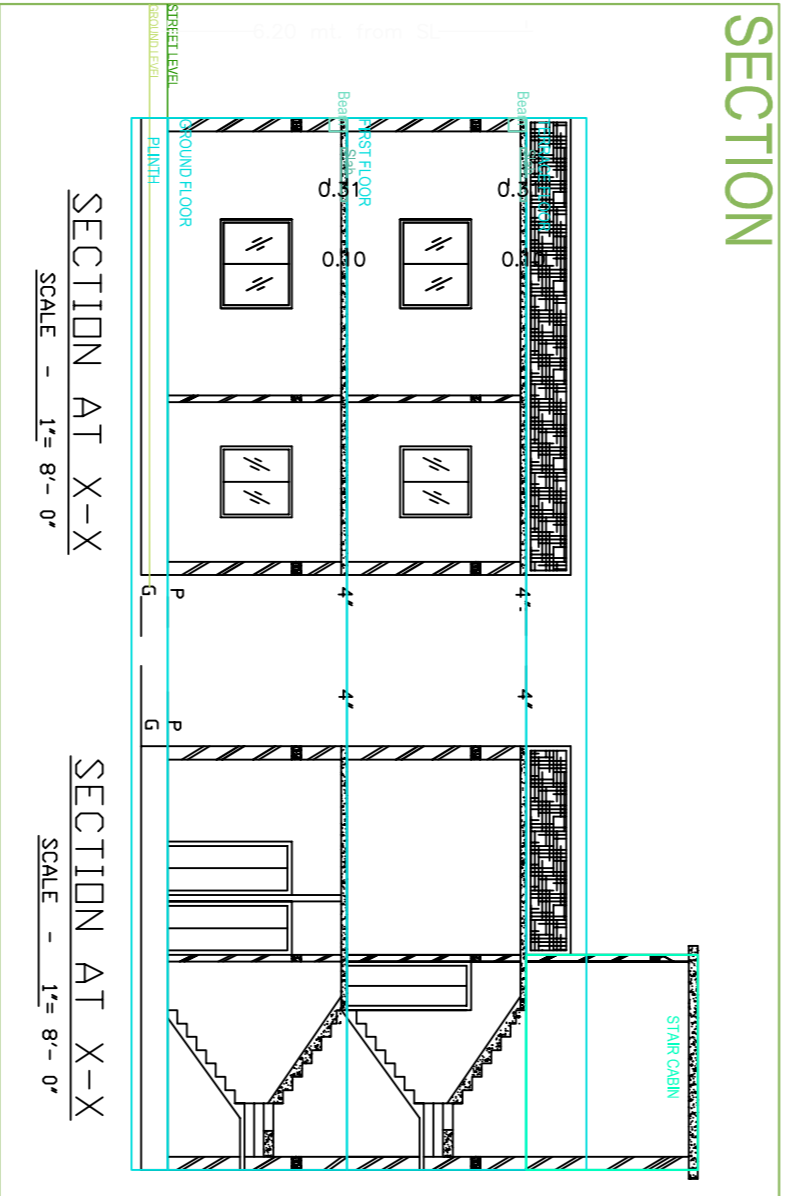
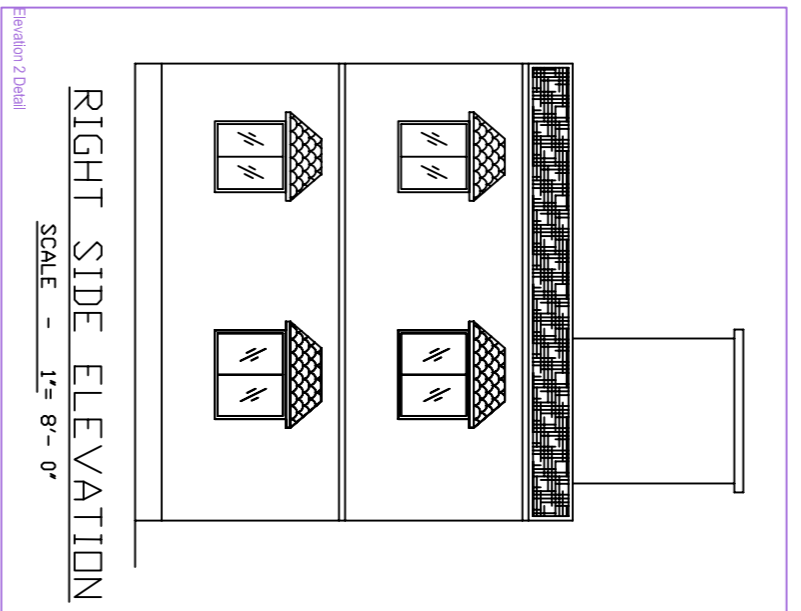
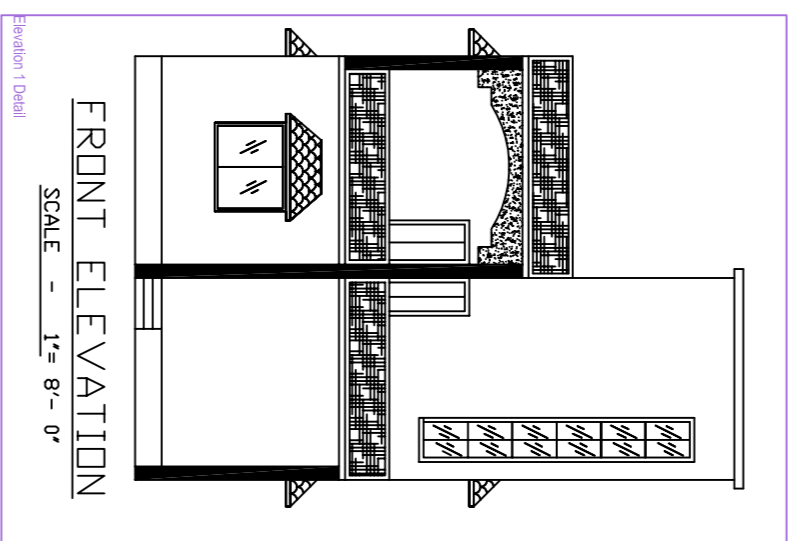


**Project Title :JULI KUMARI YADAV**



- SPECIFICATIONS**
1. WALL FOUNDATION -- P.C.C.(1:3:6).
  2. COLUMN FOOTING -- R.C.C. (1:2:4).
  3. LINTELS, BEAMS & ROOF SLAB R.C.C.(1:2:4).
  4. WALL FOOTING & SUPER STRUCTURE
  5. D.P.C.--P.C.C.(1:1.5:3)+2% CICO.
  6. FLOOR FINISH IN SITU MOSAIC OR MOSAIC TILES.
  7. DOORS & WINDOWS STEEL CHOKHAT & STEEL FRAME SHUTTER.
  8. WALL FINISH 0.012M TH. CEMENT PLASTER ON BOTH SIDE PAINTED

**SCHEDULE OF DOOR & WINDOWS**

TYPE	WIDTH	H.T.	SILL	DESCRIPTION
D1	0.76	2.13	0.00	SL. WOOD FRAME SLIDING DOOR
D2	0.91	2.13	0.00	SL. WOOD FRAME SLIDING DOOR
D3	0.99	2.13	0.00	SL. WOOD FRAME SLIDING DOOR
D4	1.06	2.13	0.00	SL. WOOD FRAME SLIDING DOOR
W1	0.80	1.0	1.13	STEEL FRAME GLAZED SHUTTER
W2	0.99	1.13	1.0	STEEL FRAME GLAZED SHUTTER
W3	1.2	1.37	1.76	STEEL FRAME GLAZED SHUTTER
W4	1.50	1.37	1.76	STEEL FRAME GLAZED SHUTTER

**LAND DETAILS**

**PROPOSED RESIDENTIAL BUILDING PLAN OF JULI KUMARI YADAV**  
**W/O. UMESH KUMAR YADAV**  
 PLOT NO. - 71 KHATA NO.- 726  
 VILLAGE - PAKUR, WARD NO-17  
 THANA NO- 128, DISTRICT - PAKUR  
 STATE - JHARKHAND.

APPLICANT'S SIGNATURE: \_\_\_\_\_ SIGNATURE OF LIC. ENGINEER \_\_\_\_\_

**MATERIALS**

ITEM	UNIT	QTY	PRICE	TOTAL
CEMENT	50 KG BAG	1200	120	144000
BRICK	NO.	12000	120	1440000
ROOFING SHEET	SQ. FT.	1200	120	144000
WALL FINISH	SQ. FT.	1200	120	144000
FLOOR FINISH	SQ. FT.	1200	120	144000
GLAZED SHUTTER	SQ. FT.	1200	120	144000
STEEL FRAME	SQ. FT.	1200	120	144000
WOOD FRAME	SQ. FT.	1200	120	144000
SLIDING DOOR	SQ. FT.	1200	120	144000
ROOFING SHEET	SQ. FT.	1200	120	144000
WALL FINISH	SQ. FT.	1200	120	144000
FLOOR FINISH	SQ. FT.	1200	120	144000
GLAZED SHUTTER	SQ. FT.	1200	120	144000
STEEL FRAME	SQ. FT.	1200	120	144000
WOOD FRAME	SQ. FT.	1200	120	144000
SLIDING DOOR	SQ. FT.	1200	120	144000

**PROPOSED WORK COVERED AREA**

ITEM	UNIT	QTY	PRICE	TOTAL
CEMENT	50 KG BAG	1200	120	144000
BRICK	NO.	12000	120	1440000
ROOFING SHEET	SQ. FT.	1200	120	144000
WALL FINISH	SQ. FT.	1200	120	144000
FLOOR FINISH	SQ. FT.	1200	120	144000
GLAZED SHUTTER	SQ. FT.	1200	120	144000
STEEL FRAME	SQ. FT.	1200	120	144000
WOOD FRAME	SQ. FT.	1200	120	144000
SLIDING DOOR	SQ. FT.	1200	120	144000
ROOFING SHEET	SQ. FT.	1200	120	144000
WALL FINISH	SQ. FT.	1200	120	144000
FLOOR FINISH	SQ. FT.	1200	120	144000
GLAZED SHUTTER	SQ. FT.	1200	120	144000
STEEL FRAME	SQ. FT.	1200	120	144000
WOOD FRAME	SQ. FT.	1200	120	144000
SLIDING DOOR	SQ. FT.	1200	120	144000