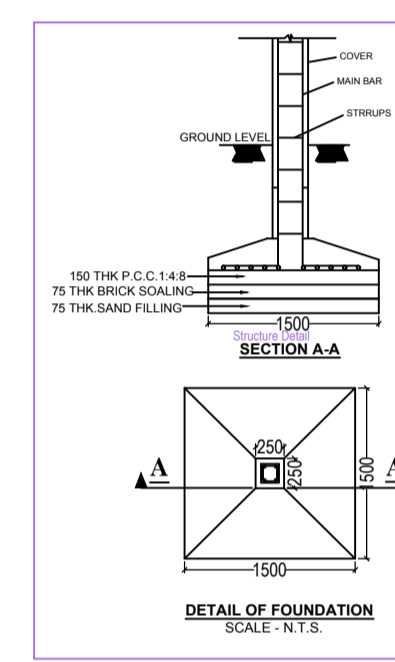
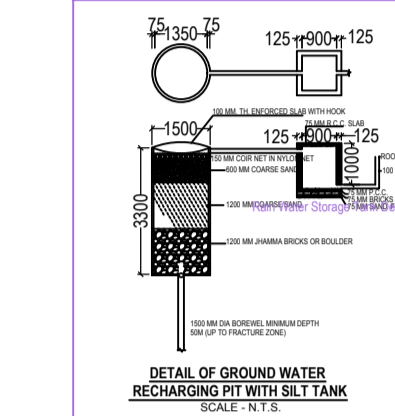
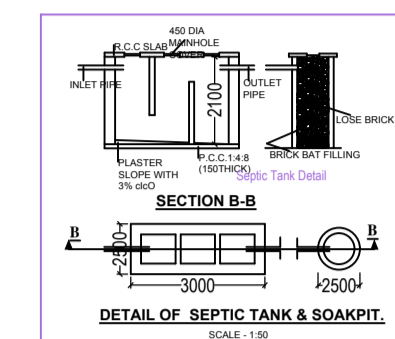
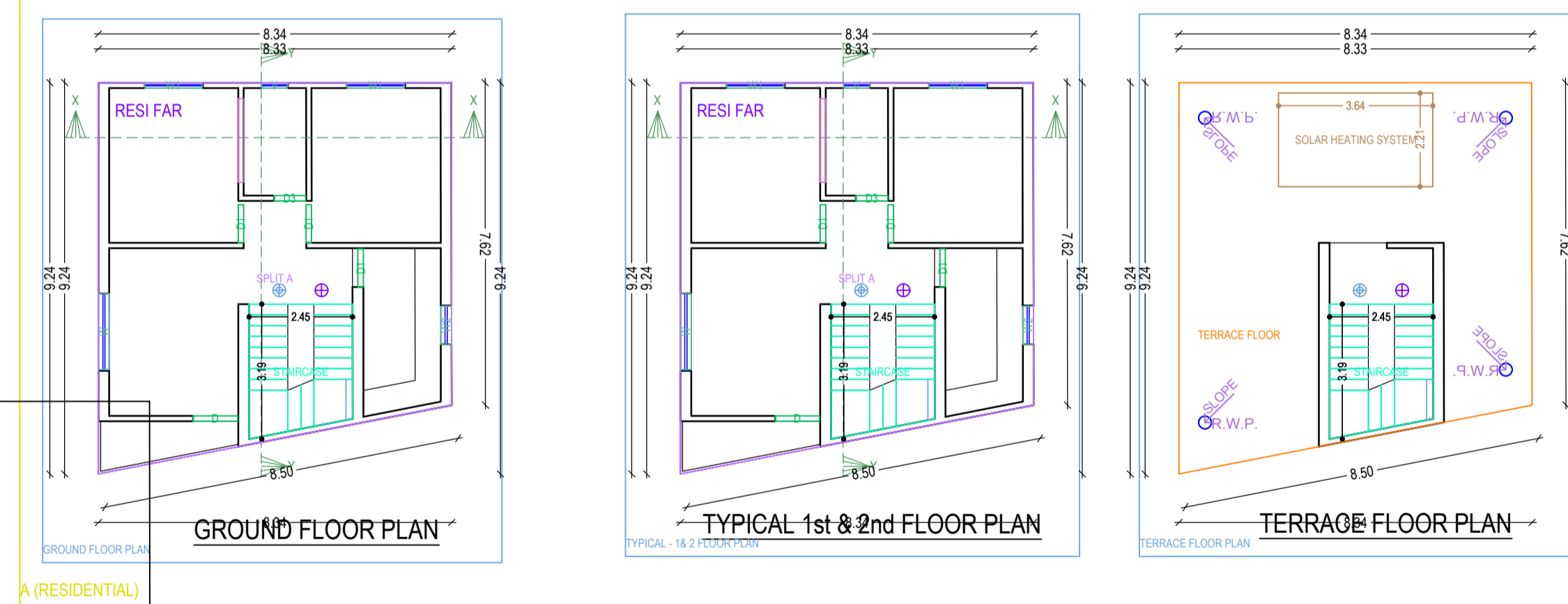
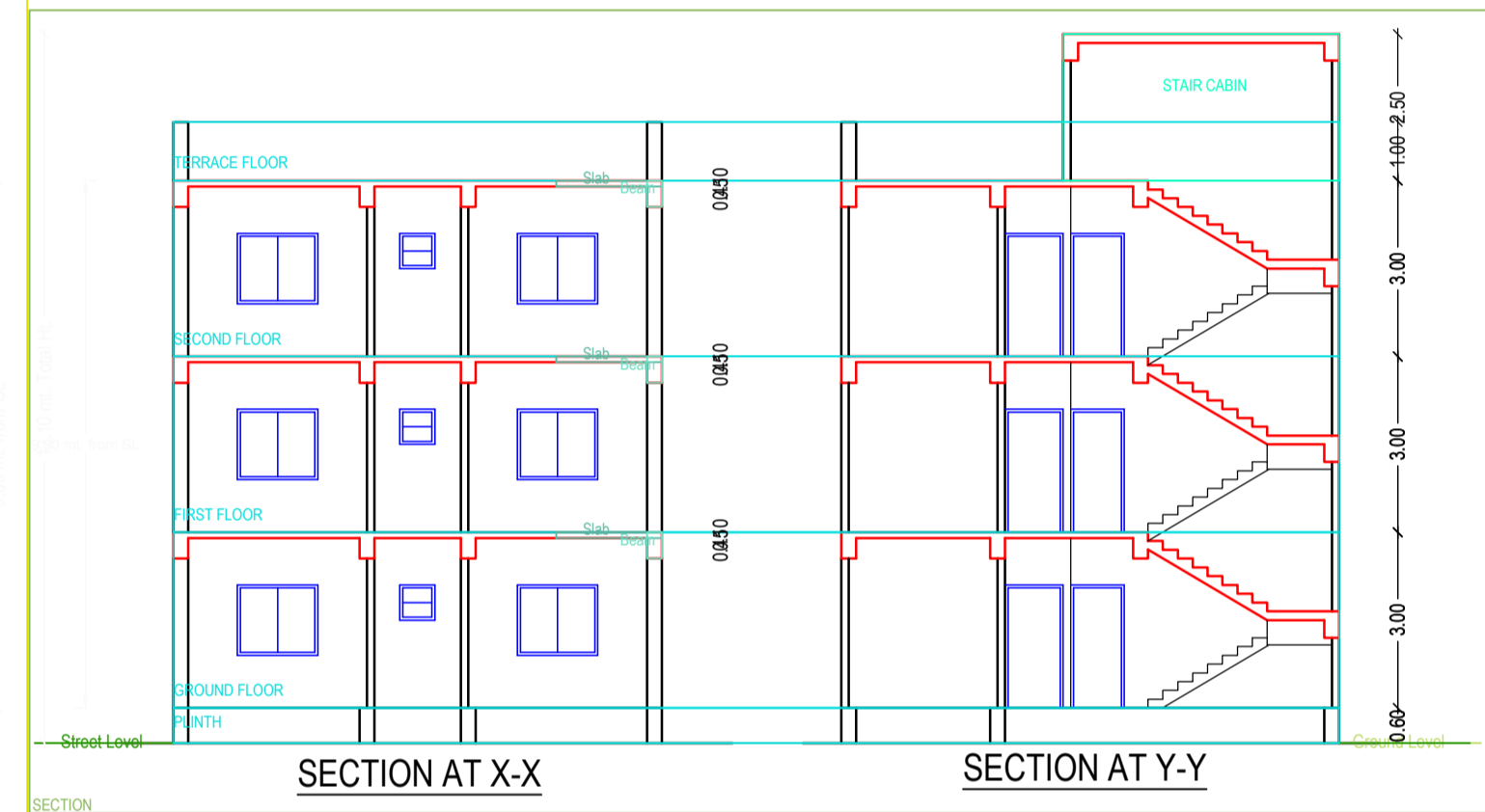
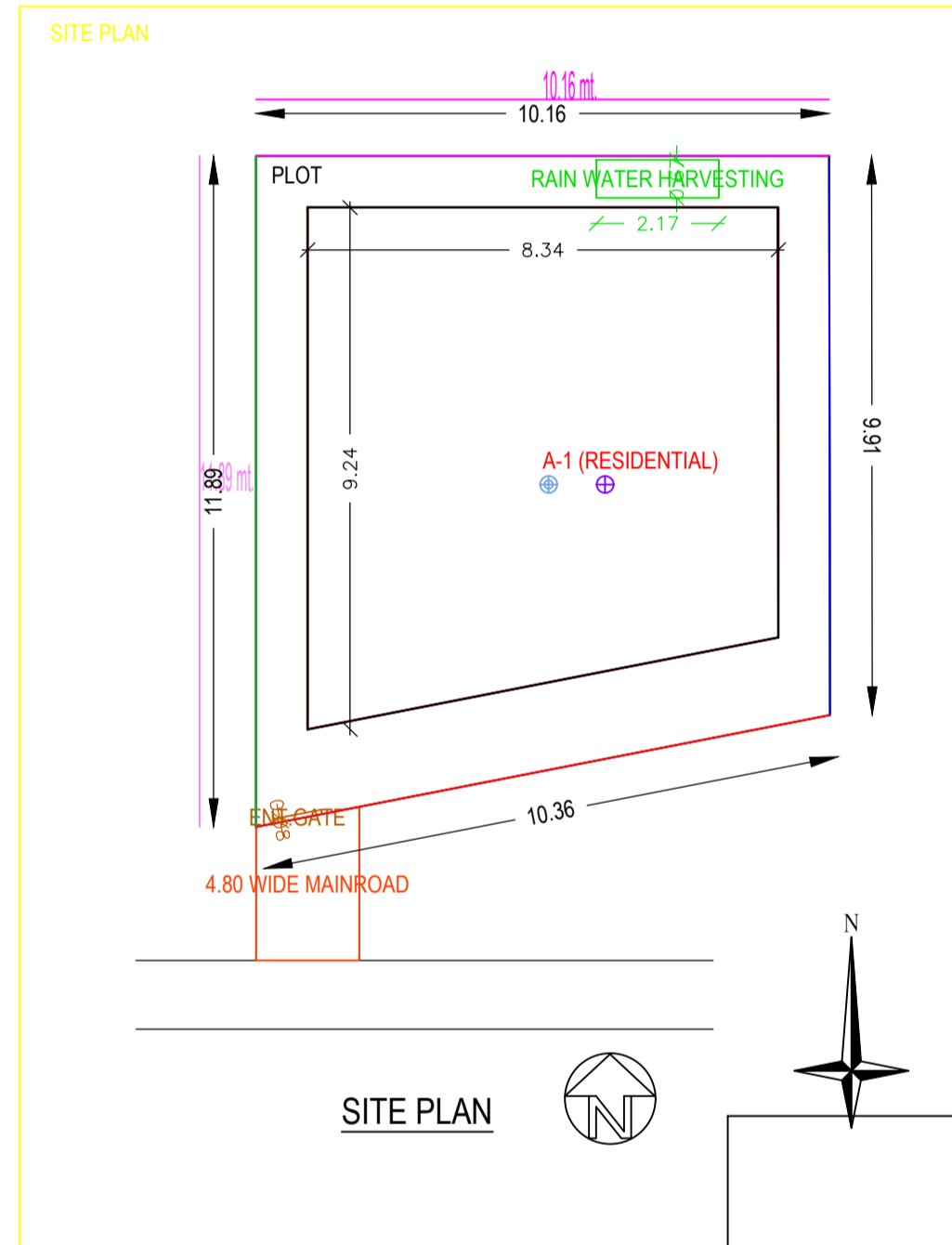


Project Title :SUKUMAR MANDAL



AREA STATEMENT: PAKUR NAGAR PARISHAD	VERSION NO.: 1.0.36
PROJECT DETAIL:	VERSION DATE: 16/10/2020
Inward No. :-	Plot Use : Residential
Region :- JHARKHAND URBAN LOCAL BODIES	Plot SubUse : Bungalow/ Dwelling / Non Apartment
District : PAKUR	Land Use Zone : NA
Application Type : General Proposal	Abutting Road Width :-
Project Type : Building Permission	Plot No. :-
Nature of Development : New	Revenue Survey No/Survey No :-
Location : Old Area	Thana No. :-
Sub Location : NA	Holding No. :-
Village/Mouza Name :-	Khata No. :-
Ward No. :-	North :-
Road/Street :-	South :-
	East :-
	West :-

AREA DETAILS:	(A)	SQ.MT.
AREA OF PLOT (Minimum)		110.78
Net Plot Area (Gross Plot Area - Deduction from Gross Plot Area)	(A-Deductions)	110.78
Balance Plot Area (Net Plot Area - Recreational/Amenity space)	(A-Deductions)	110.78
Plot Area for Coverage (Net Plot Area)	(A-Deductions)	110.78
Plot Area for FSI (Net Plot Area + Road Widening Area)	(A-Deductions)	110.78

COVERAGE CHECK	
Proposed Coverage Area (63.44 %)	70.28
Total Coverage Area (63.44 %)	70.28
FAR CHECK	
Proposed Area of FAR	210.84
Total Area of FAR	210.84
BUILT UP AREA CHECK	
Total Proposed Builtup Area	210.84
ARCH / ENGG / SUPERVISOR (Regd)	OWNER
DEVELOPMENT AUTHORITY	LOCAL BODY

COLOR INDEX	
PLOT BOUNDARY	Black
ABUTTING ROAD	Green
PROPOSED WORK (COVERAGE AREA)	Red
EXISTING (To be retained)	Blue
EXISTING (To be demolished)	Yellow

MARGIN DETAIL:					
Building / Wing Name	Road Name	Front Margin	Rear Margin	Side1 Margin	Side2 Margin
A-1 (RESIDENTIAL)	4.80 WIDE MAINROAD	1.52	0.91	0.91	0.92

FAR & Tenement Details (Table 4c-1)

Building	No. of Same Bldg	Total Built Up Area (Sq.mt.)	Proposed FAR Area (Sq.mt.) Resi.	Total FAR Area (Sq.mt.)	Trmt (No.)
A (RESIDENTIAL)	1	210.84	210.84	210.84	01
Grand Total :	1	210.84	210.84	210.84	01

Building -A (RESIDENTIAL)

Floor Name	Total Built Up Area (Sq.mt.)	Proposed FAR Area (Sq.mt.)		Trmt (No.)
		Resi.	Total FAR Area (Sq.mt.)	
Ground Floor...	70.28	70.28	70.28	01
First Floor...	70.28	70.28	70.28	00
Second Floor...	70.28	70.28	70.28	00
Terrace Floor...	0.00	0.00	0.00	00
Total	210.84	210.84	210.84	01
Total Number of Same Buildings	1			
Total	210.84	210.84	210.84	01

SCHEDULE OF JOINERY:

BUILDING NAME	NAME	LENGTH	HEIGHT	NOS
A (RESIDENTIAL)	D3	0.75	2.10	03
A (RESIDENTIAL)	D1	0.90	2.10	09
A (RESIDENTIAL)	D	1.05	2.10	03
Total	-	-	-	15

SCHEDULE OF JOINERY:

BUILDING NAME	NAME	LENGTH	HEIGHT	NOS
A (RESIDENTIAL)	V	0.90	1.00	03
A (RESIDENTIAL)	W2	0.90	1.20	03
A (RESIDENTIAL)	W1	1.35	1.20	06
A (RESIDENTIAL)	W	1.80	1.20	03
Total	-	-	-	15

UnitBUA Table for Building -A (RESIDENTIAL)

FLOOR	Name	UnitBUA Type	UnitBUA Area	Carpet Area	No. of Rooms	No. of Tenement
GROUND FLOOR PLAN	SPLIT A	FLAT	140.56	140.06	6	1
Total	-	-	140.56	140.06	18	1