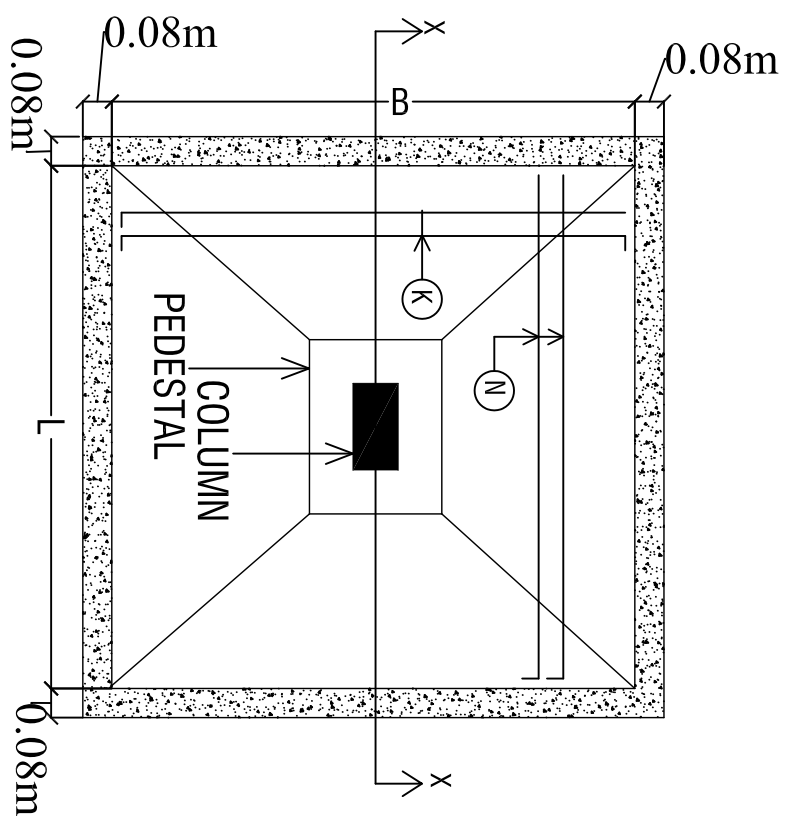
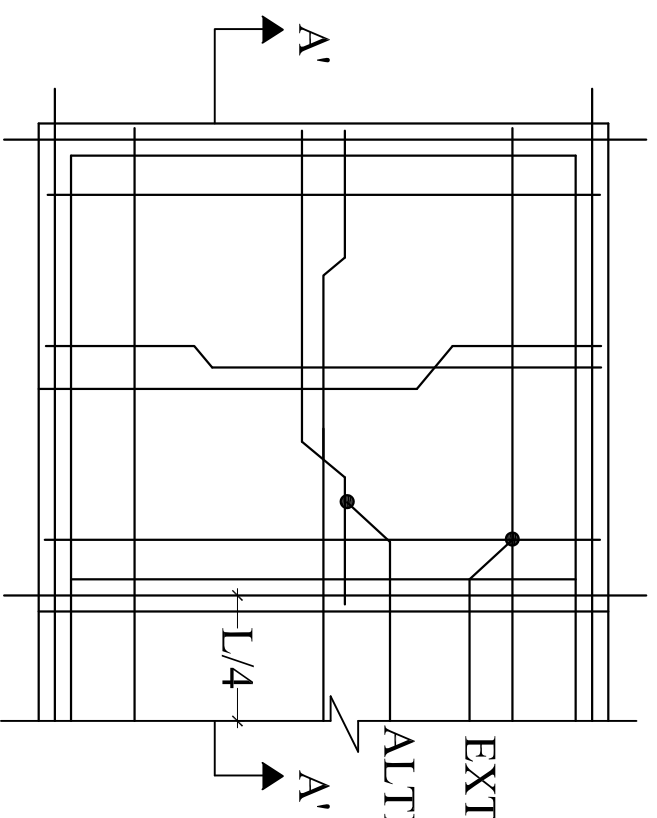


PLAN OF ISOLATED FOOTING

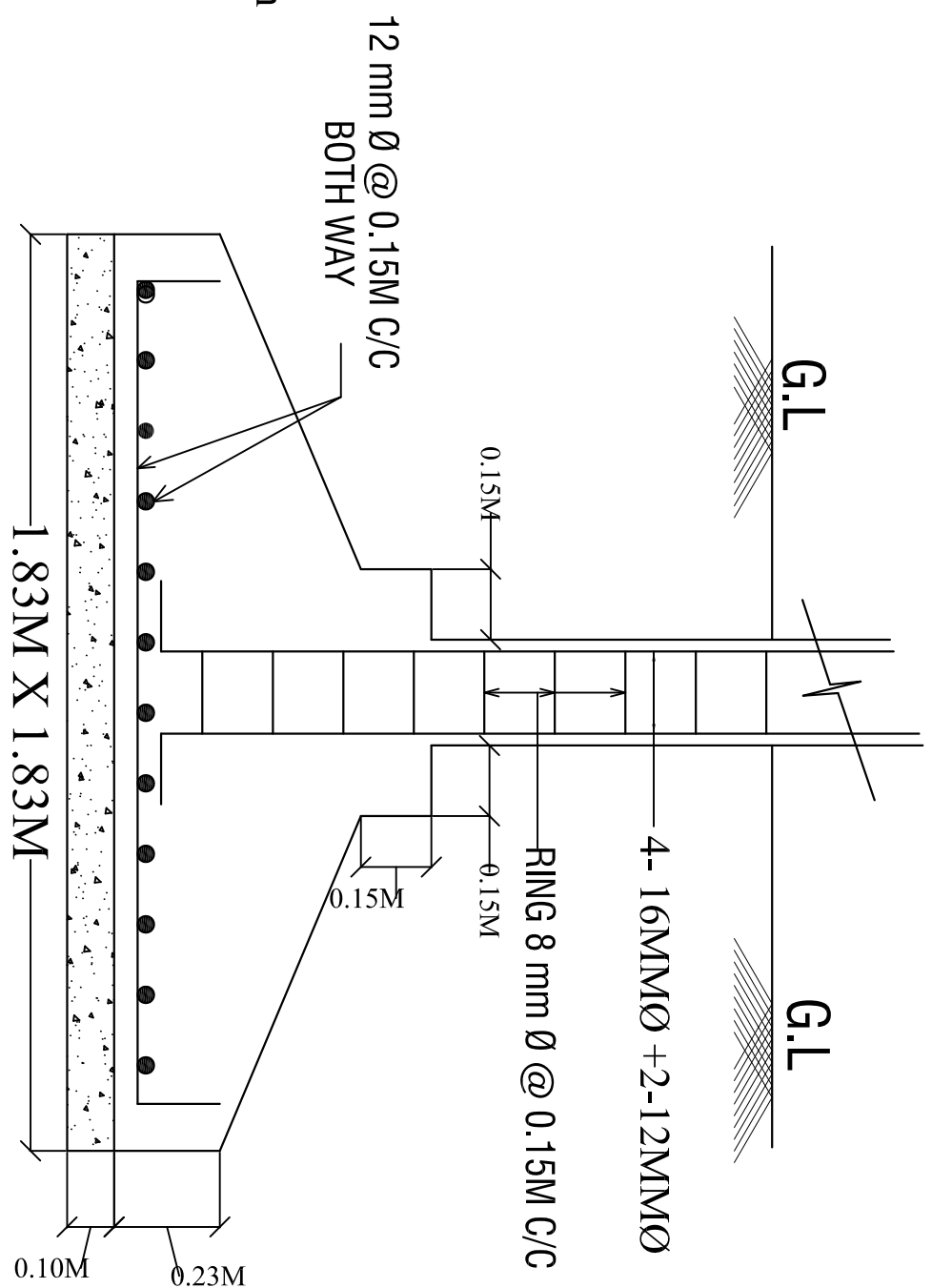


EXT. TOP AS BINDER



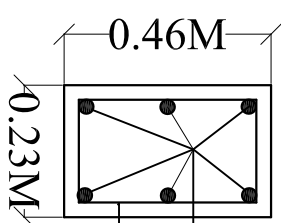
ALTERNATE CRANKED

TYPICAL REINFORCEMENT DETAIL



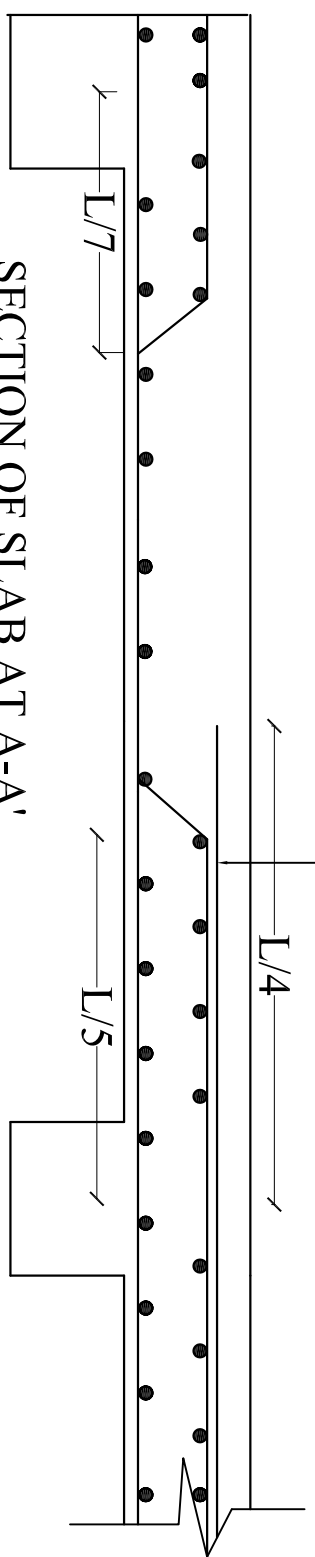
SECTION OF FOOTING .

SECTION OF COLUMN.



4- 16MMØ + 2-12MMØ
RING 8MMØ @ 0.15M C/C.

EXTRA TOP



SECTION OF SLAB AT A-A'