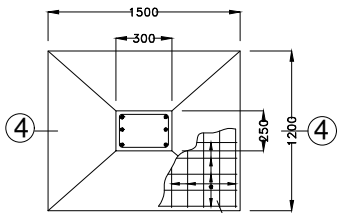


150mm. THK. P.C.C. (1:3:6)  
75mm. THK. F.B. SOLLING  
75mm. THK. SAND FILLING

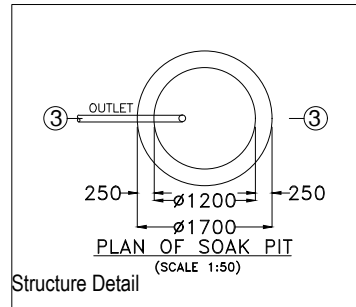
SECTION 4-4



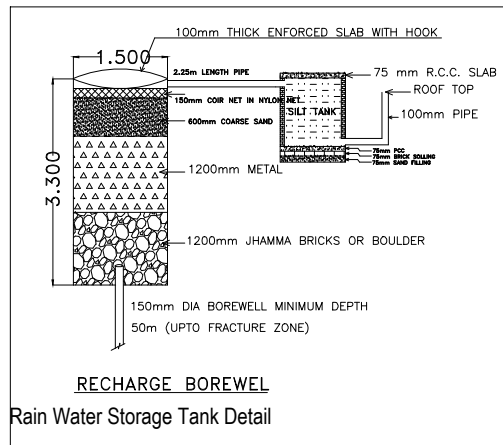
10  $\bar{\phi}$  125 C/C  
(BOTH DIRECTION)

FOUNDATION PLAN  
OF COLUMN

Structure Detail

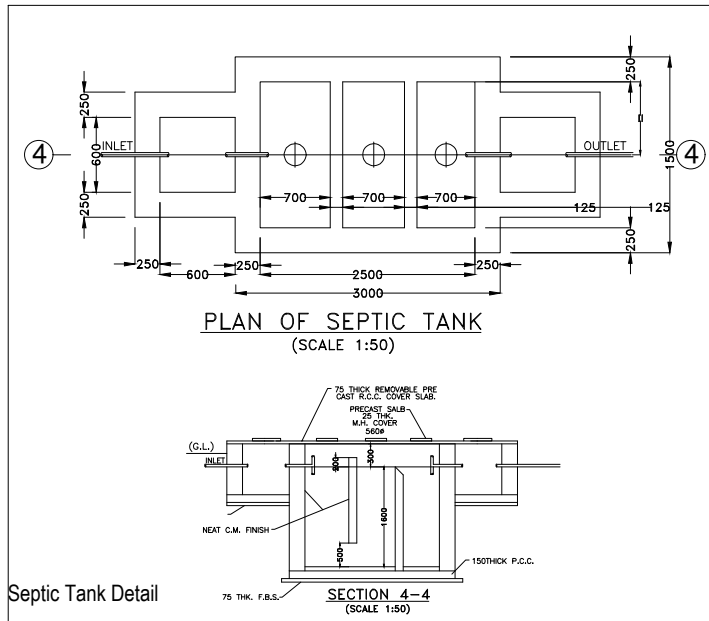


Structure Detail

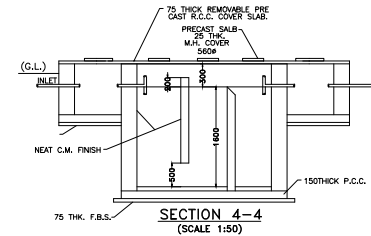


RECHARGE BOREWEL

Rain Water Storage Tank Detail

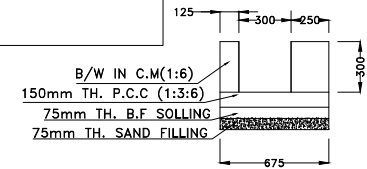


PLAN OF SEPTIC TANK  
(SCALE 1:50)



SECTION 4-4  
(SCALE 1:50)

Septic Tank Detail



SECTION OF DRAIN  
SLOPE OF DRAIN=1:200