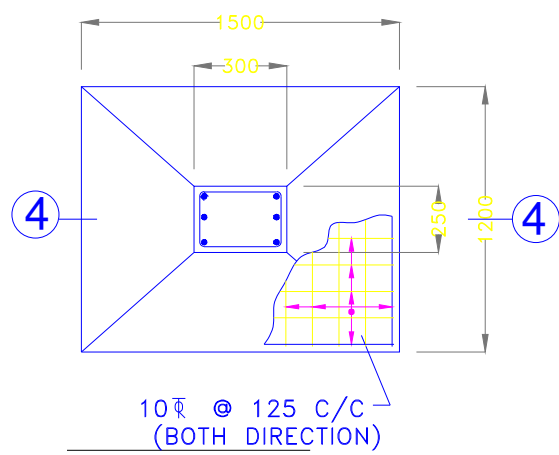
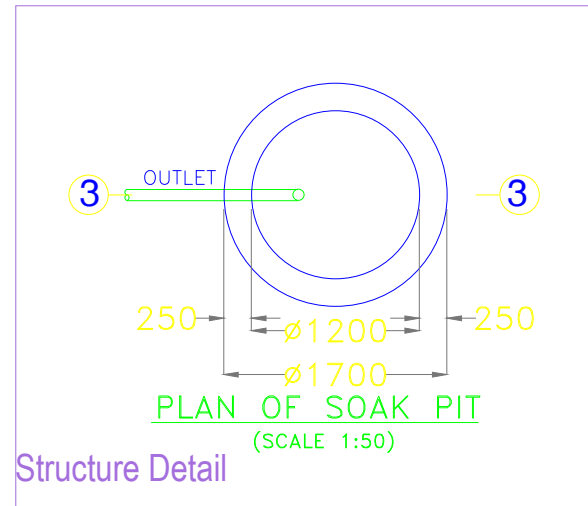


SECTION 4-4

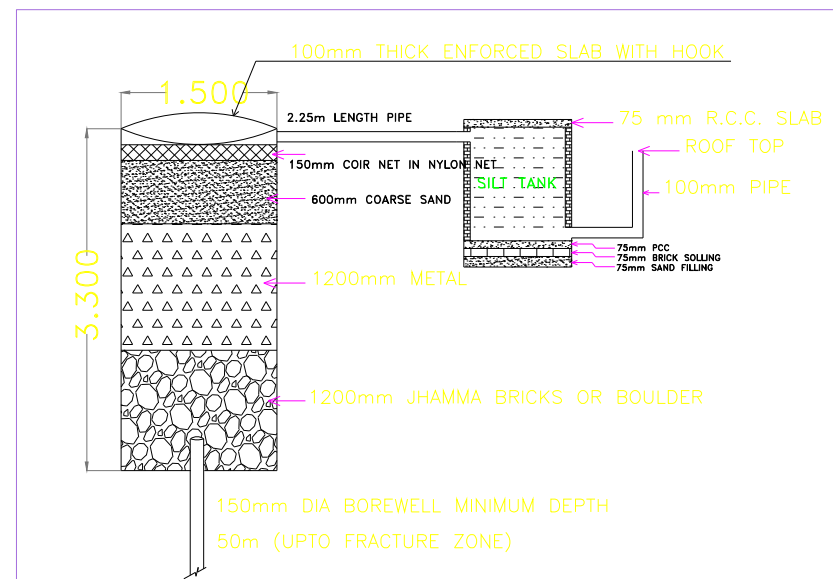


FOUNDATION PLAN OF COLUMN

Structure Detail

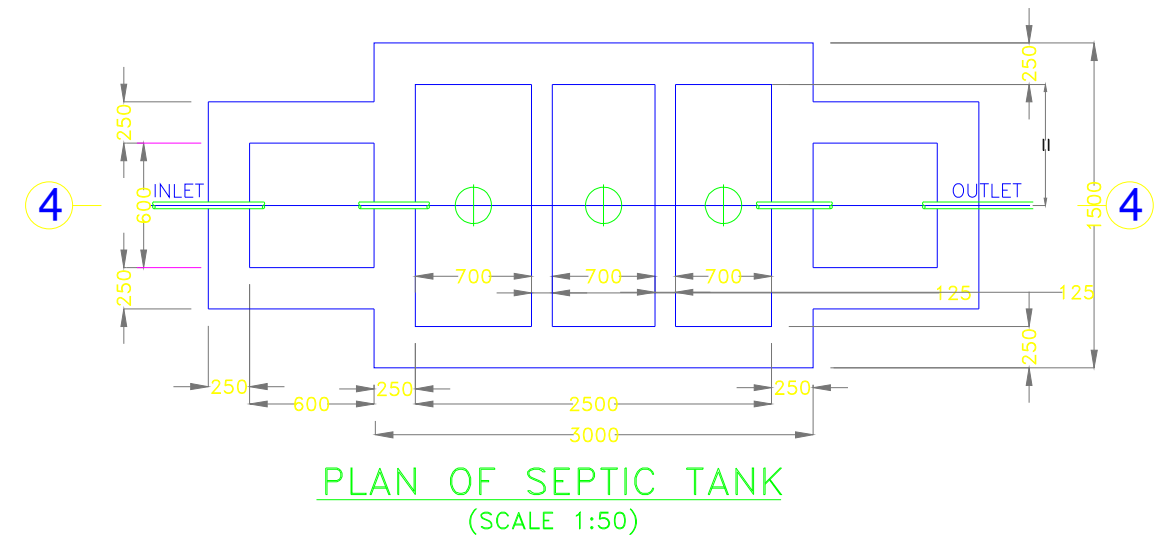


Structure Detail



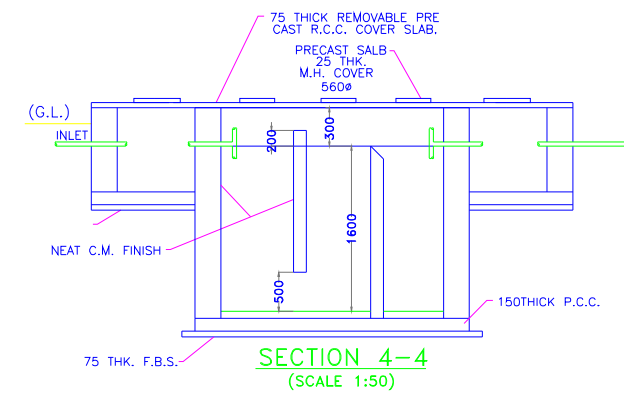
RECHARGE BOREWEL

Rain Water Storage Tank Detail

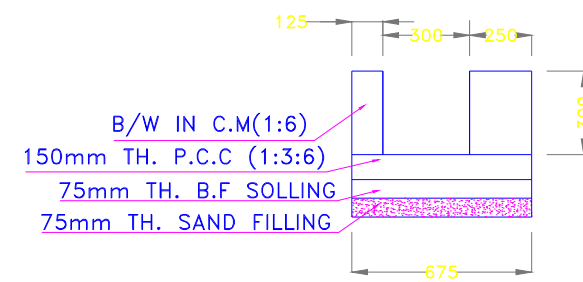


PLAN OF SEPTIC TANK

Septic Tank Detail



SECTION 4-4



SECTION OF DRAIN

SLOPE OF DRAIN=1:200