

Proposal Basic Information	
Proposal File No.	BNPC/BP/0001/1/10/2020
Owner Name	KARYAPALAK PADADHKARI NAGAR PANCHAYAT BUNDU
Khata No	732
Plot No	784, 785, 786
Village Name	Bundu
Use	Residential
SubUse	Low income group and EWS Housing

AREA STATEMENT BUNDU NAGAR PANCHAYAT	
REGION: HARRISURBAN URBAN LOCAL BODIES	Plot Use: Residential
DISTRICT: RANCHI	Plot SubUse: Low income group and EWS Housing
AUTHORITY: BUNDU NAGAR PANCHAYAT	Phase/Type/Program/Structure: NA
INVEST. NO: BNPC/BP/0001/1/10/2020	Plot/SubPlot No: 784, 785, 786
APPLICATION TYPE: General Proposal	North: Plot No. - 1227, Plot No. - 1228
PROJECT TYPE: Building Permission	South: Plot No. - 631
NATURE OF DEVELOPMENT: New	East: Road Width - Road and a Lake
LOCATION OF DEVELOPMENT AREA: Old	West: Road Width - Old Tata-Ranchi Road

AREA OF PLOT (Minimum)	
AREA OF PLOT (Minimum)	52.00
NET AREA OF PLOT (Gross Plot Area - Deduction from Gross Plot Area)	6473.30
Deduction for Balance Plot Area (from Gross Plot Area)	
Common Plot	859.34
BALANCE AREA OF PLOT (Net Plot Area - Recreational/Amenity space)	5613.97
PLOT AREA FOR COVERAGE (Net Plot Area)	6473.30
Plot Area for FAR (Net Plot Area - Road/Watering Area)	6473.30

COVERAGE CHECK	
Permissible Coverage area ( 50.00 % )	3236.65
Proposed Coverage Area ( 11.58 % )	749.72
Total Imp. Coverage Area ( 11.58 % )	749.72
Balance coverage area ( 38.42 % )	2486.92

FAR CHECK	
Perm. FAR Area ( 3.00 )	19419.90
Total Perm. FAR area	19419.90
Residential FAR	2998.88
Proposed FAR Area	2998.88
Total Proposed FAR Area	2998.88
Consumed FAR (Factor)	0.45
Balance FAR Area	16420.88

BUILT UP AREA CHECK	
Total Proposed Builtup Area	2998.88

ARCHITECT (Regd)	
ARCHITECT (Regd)	Anun Ranjan
ENGINEER (Regd)	
ENGINEER (Regd)	
SUPERVISOR (Regd)	
SUPERVISOR (Regd)	
OWNER (Regd)	
OWNER (Regd)	KARYAPALAK PADADHKARI NAGAR PANCHAYAT BUNDU
DEVELOPMENT AUTHORITY	
DEVELOPMENT AUTHORITY	LOCAL BODY

COLOR INDEX	
PLOT BOUNDARY	Red
ABUTTING ROAD	Green
PROPOSED CONSTRUCTION	Blue
COMMON PLOT	Yellow
ROAD WIDENING AREA	Orange
EXISTING (To be retained)	Light Blue
EXISTING (To be demolished)	Light Yellow

Buildingwise Floor FAR Details				
Floor Name	Proposed Built Up Area (Sq.mt)	Proposed FAR Area (Sq.mt)	Total Proposed Built Up Area (Sq.mt)	Total FAR Area (Sq.mt)
Ground Floor	749.72	749.72	749.72	749.72
First Floor	749.72	749.72	749.72	749.72
Second Floor	749.72	749.72	749.72	749.72
Third Floor	749.72	749.72	749.72	749.72
Terrace Floor	0.00	0.00	0.00	0.00
<b>Total</b>	<b>2998.88</b>	<b>2998.88</b>	<b>2998.88</b>	<b>2998.88</b>

Building USE/SUBUSE Details				
Building Name	Building Use	Building SubUse	Building Structure	
A (RESIDENTIAL)	Residential	Low income group and EWS Housing	Non Highrise	

Required Parking (Table 7a)				
Building Name	Type	SubUse	Area (Sq.mt)	Reqd. Units
Total	-	-	-	0

Parking Check (Table 7b)				
Vehicle Type	Reqd.	Prop.	Car	Prop.
Total	-	-	0	0

FAR & Tenement Details (Table 4c-1)						
Building	No. of Same Bldg	Total Built Up Area (Sq.mt)	Proposed FAR Area (Sq.mt)	Total FAR Area (Sq.mt)	Total Consumed Additional FAR Area (Sq.mt)	Tnmt (No.)
A (RESIDENTIAL)	2	2998.88	2998.88	2998.88	2998.88	80
<b>Grand Total</b>	<b>2</b>	<b>2998.88</b>	<b>2998.88</b>	<b>2998.88</b>	<b>2998.88</b>	<b>80</b>

Building :A (RESIDENTIAL)					
Total Built Up Area (Sq.mt)	Proposed FAR Area (Sq.mt)	Total Consumed Additional FAR Area (Sq.mt)	Tnmt (No.)		
Ground Floor	374.86	374.86	374.86	10	
First Floor	374.86	374.86	374.86	10	
Second Floor	374.86	374.86	374.86	10	
Third Floor	374.86	374.86	374.86	10	
Terrace Floor	0.00	0.00	0.00	00	
<b>Total</b>	<b>1499.44</b>	<b>1499.44</b>	<b>1499.44</b>	<b>40</b>	
Total Number of Same Buildings	2				
<b>Total</b>	<b>2998.88</b>	<b>2998.88</b>	<b>2998.88</b>	<b>80</b>	

SCHEDULE OF DOOR:				
BUILDING NAME	NAME	LENGTH	HEIGHT	NOS
A (RESIDENTIAL)	D3	0.75	2.10	112
A (RESIDENTIAL)	D	0.93	2.10	04
A (RESIDENTIAL)	D1	0.98	2.10	40
A (RESIDENTIAL)	D	1.05	2.10	36

SCHEDULE OF WINDOW/VENTILATION:				
BUILDING NAME	NAME	LENGTH	HEIGHT	NOS
A (RESIDENTIAL)	V	0.60	0.60	40
A (RESIDENTIAL)	W	1.50	1.20	40

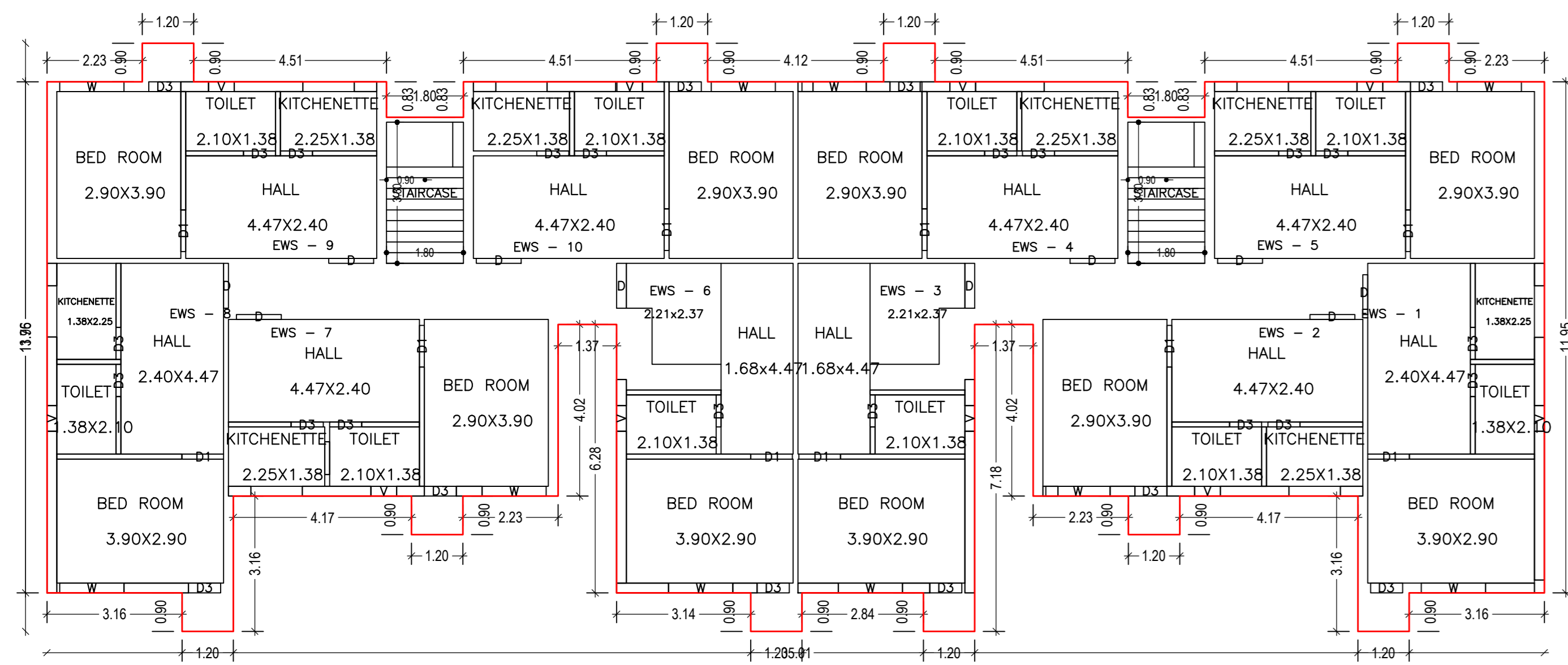
UnitBUA Table for Building :A (RESIDENTIAL)						
FLOOR	Name	UnitBUA Type	UnitBUA Area	Carpet Area	No. of Rooms	No. of Tenement
GROUND FLOOR PLAN	EWS - 1	EWS UNIT	31.85	29.46	4	10
	EWS - 10	EWS UNIT	30.89	29.62	4	
	EWS - 2	EWS UNIT	30.89	29.64	4	
	EWS - 3	EWS UNIT	31.52	29.49	3	
	EWS - 4	EWS UNIT	30.89	29.35	4	
	EWS - 5	EWS UNIT	30.89	29.44	4	
	EWS - 6	EWS UNIT	31.51	29.56	3	
	EWS - 7	EWS UNIT	30.89	29.38	4	
	EWS - 8	EWS UNIT	31.84	29.30	4	
	EWS - 9	EWS UNIT	30.89	29.43	4	
TYPICAL - 1, 3 FLOOR PLAN	EWS - 101	EWS UNIT	31.85	29.46	4	30
	EWS - 1010	EWS UNIT	30.89	29.62	4	
	EWS - 102	EWS UNIT	30.89	29.64	4	
	EWS - 103	EWS UNIT	31.52	29.49	3	
	EWS - 104	EWS UNIT	30.89	29.35	4	
	EWS - 105	EWS UNIT	30.89	29.44	4	
	EWS - 106	EWS UNIT	31.51	29.56	3	
	EWS - 107	EWS UNIT	30.89	29.38	4	
	EWS - 108	EWS UNIT	31.84	29.30	4	
	EWS - 109	EWS UNIT	30.89	29.43	4	
<b>Total</b>	-	-	<b>1248.32</b>	<b>1177.04</b>	<b>152</b>	<b>40</b>

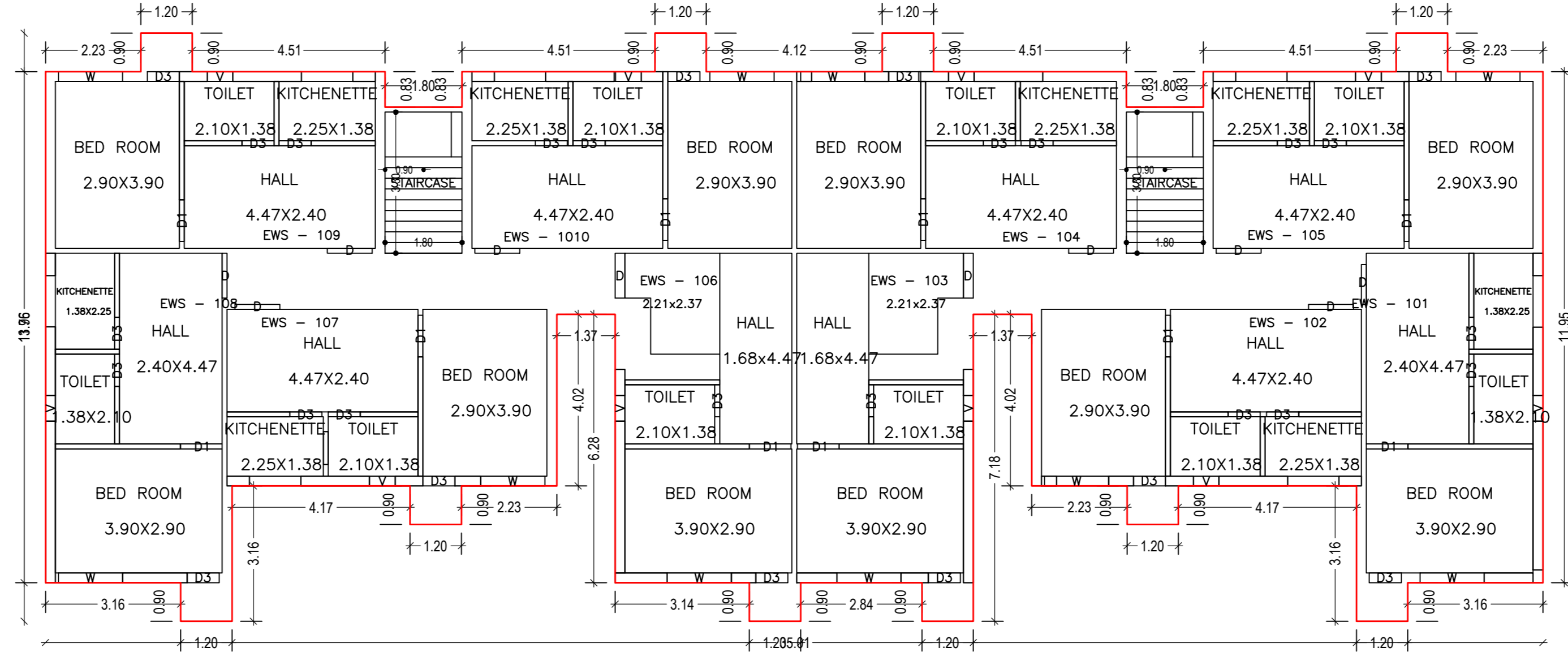
LTP NAME AND SIGNATURE	STRUCTURAL ENG'S NAME AND SIGNATURE	BUILDER NAME AND SIGNATURE	DIGITAL SIGNATURE
Anun Ranjan BNPC/ARC/0002/2016			

SITE PLAN

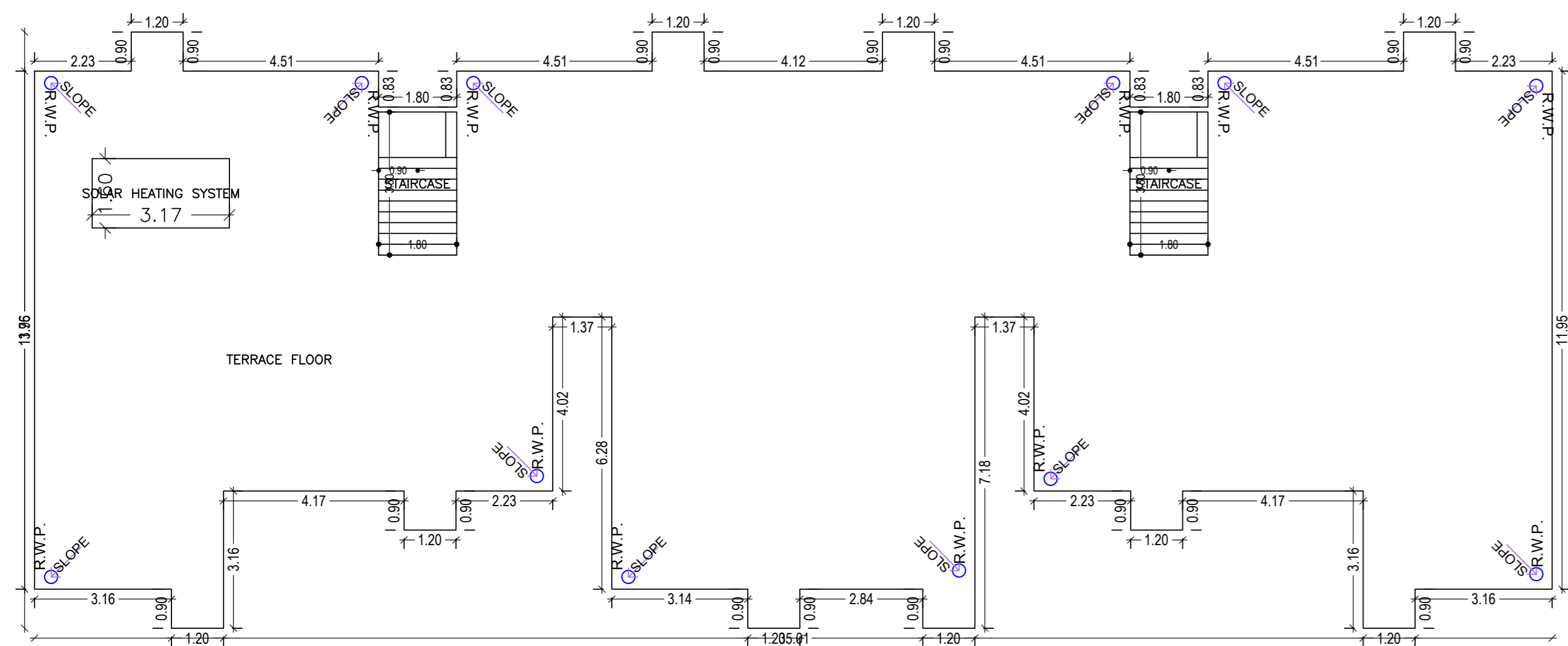
Proposal Basic Information	
Proposal File No.	BNPC/BP0001W102020
Owner Name	KARYAPALAK PADADHKARI NAGAR PANCHAYAT BUNDU
Khata No	732
Plot No	784, 785, 786
Village Name	Bundu
Use	Residential
SubUse	Low income group and EWS Housing



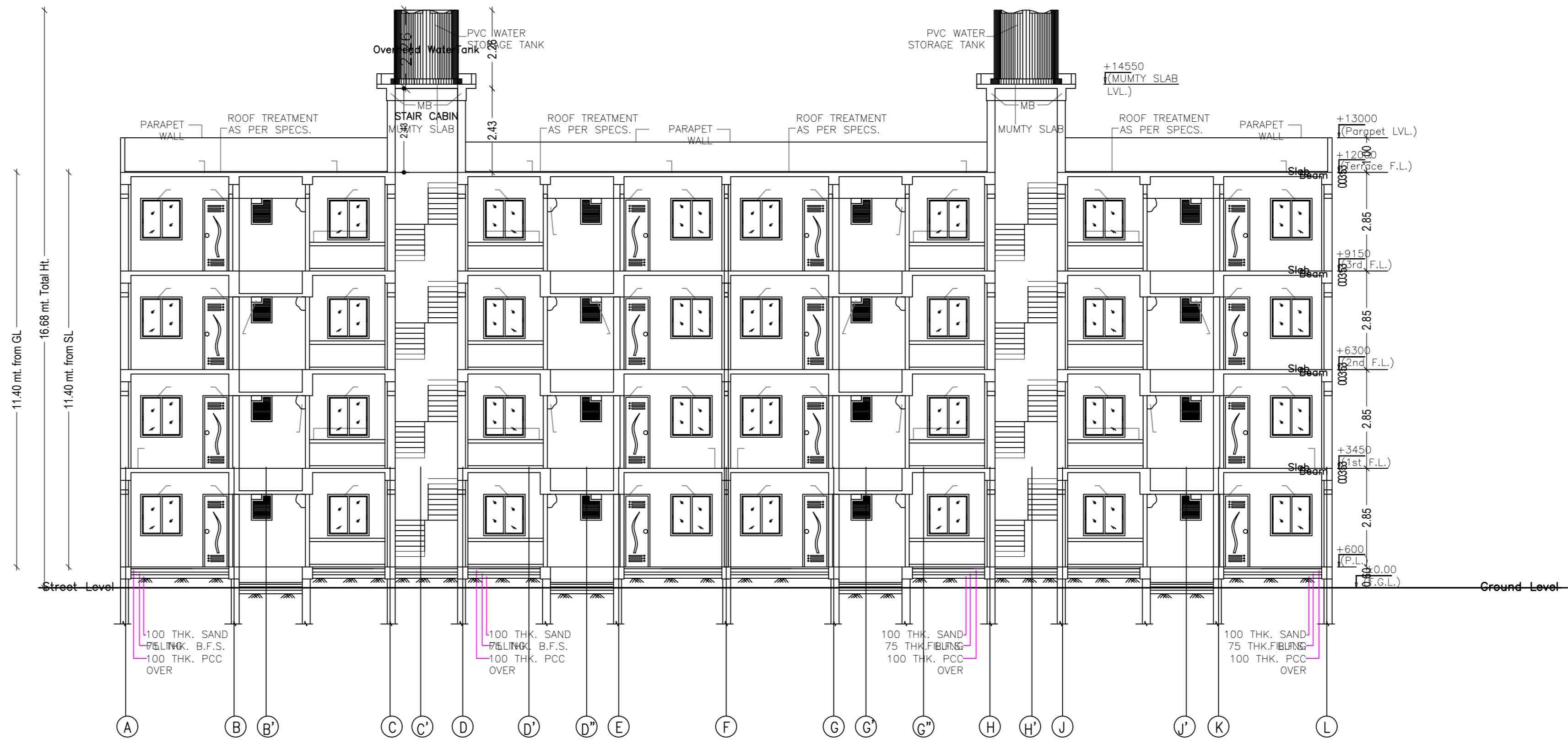
GROUND FLOOR PLAN  
(Proposed)  
(SCALE 1:100)



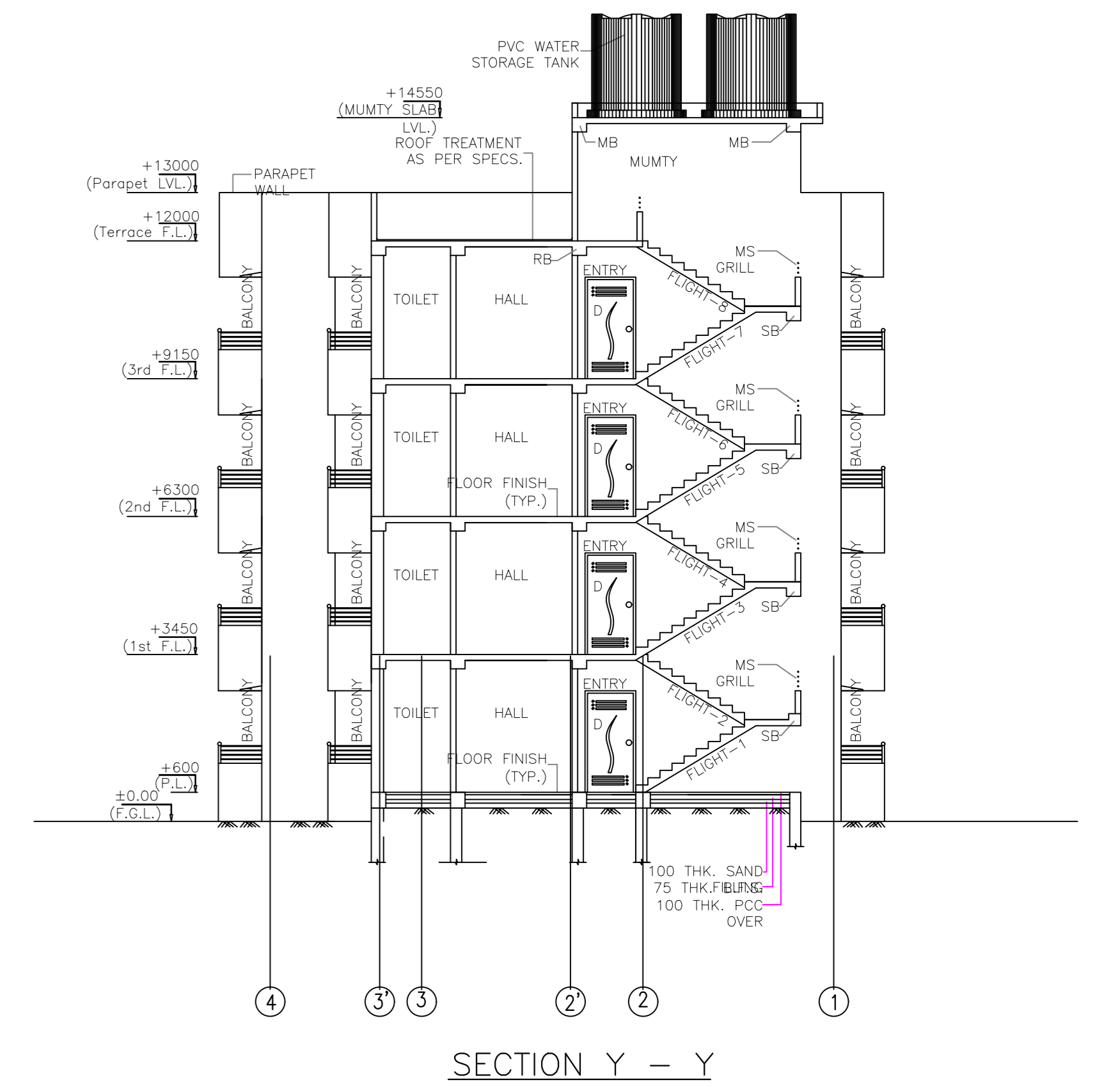
TYPICAL - 1 - 3 FLOOR PLAN  
(Proposed)  
(SCALE 1:100)



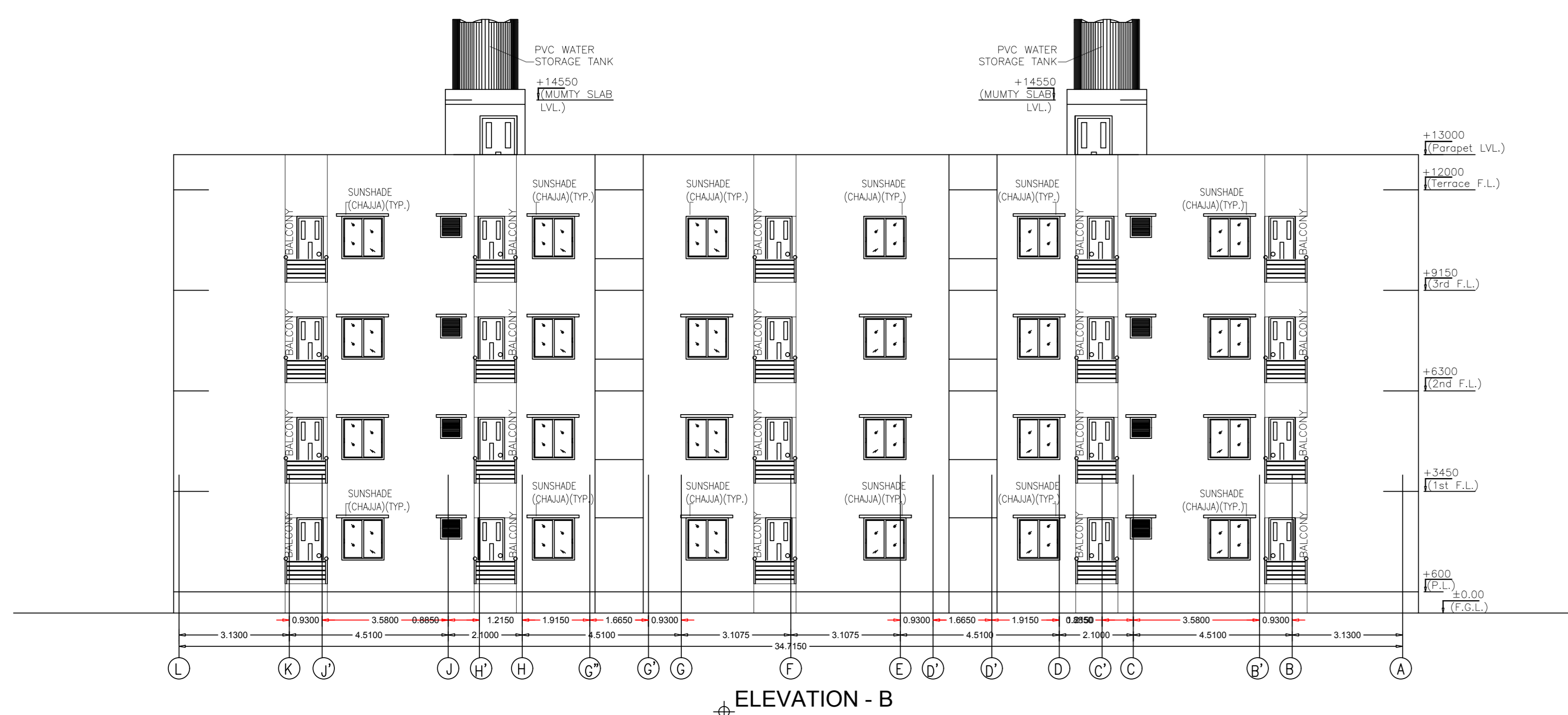
TERRACE FLOOR PLAN  
(SCALE 1:100)



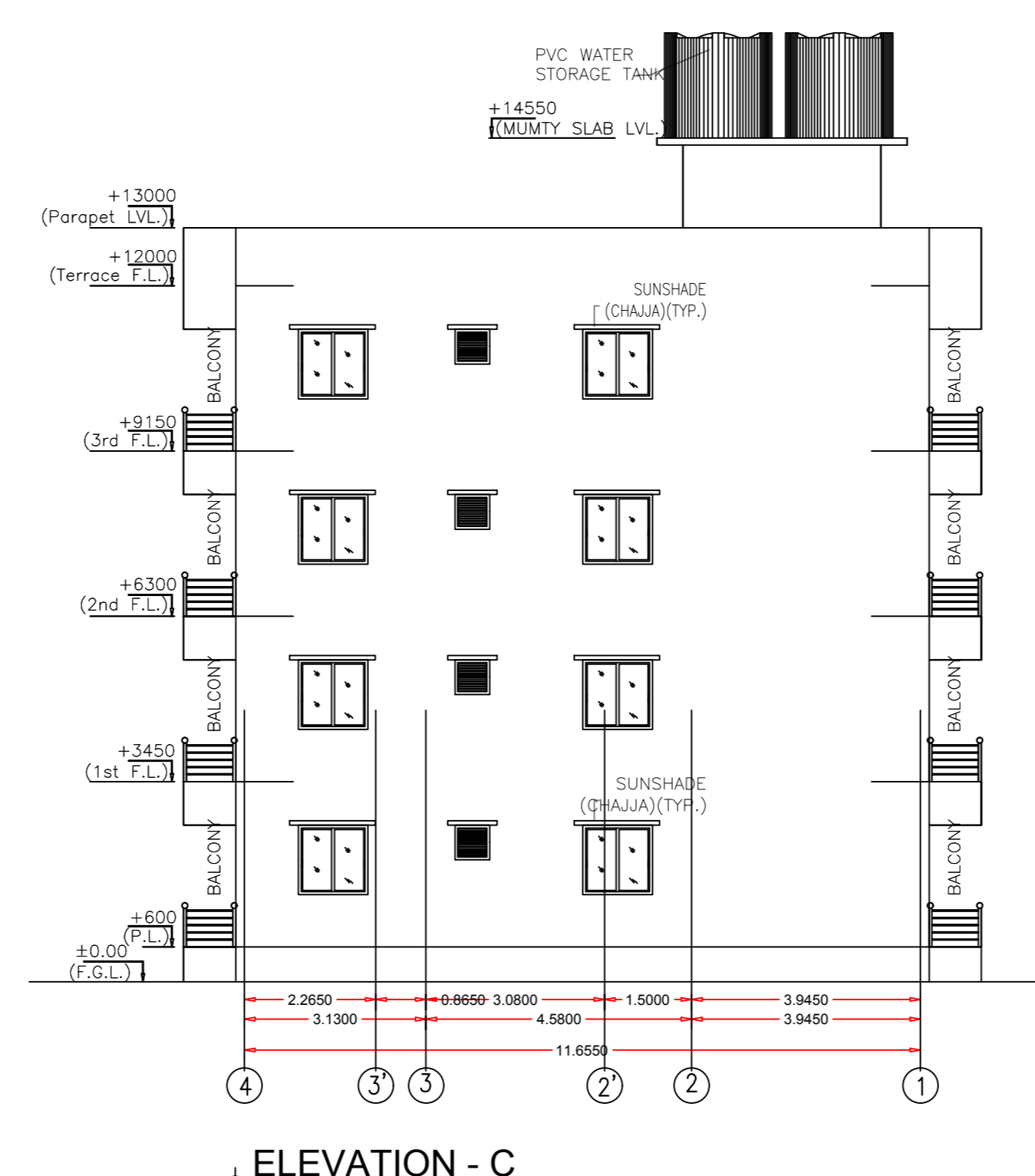
SECTION X - X



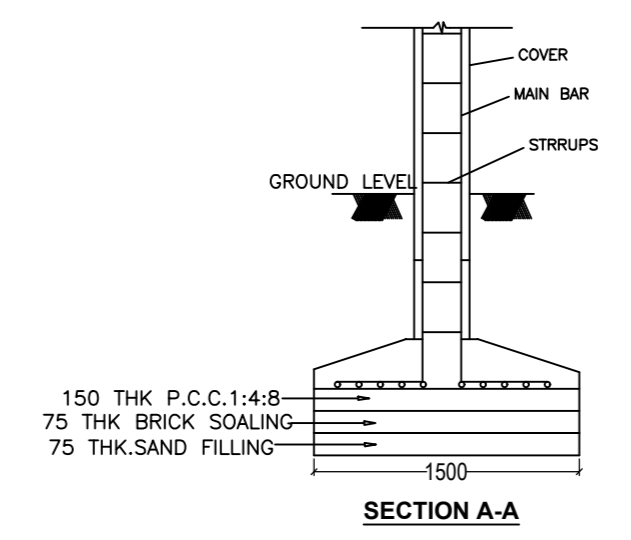
SECTION Y - Y



ELEVATION - B

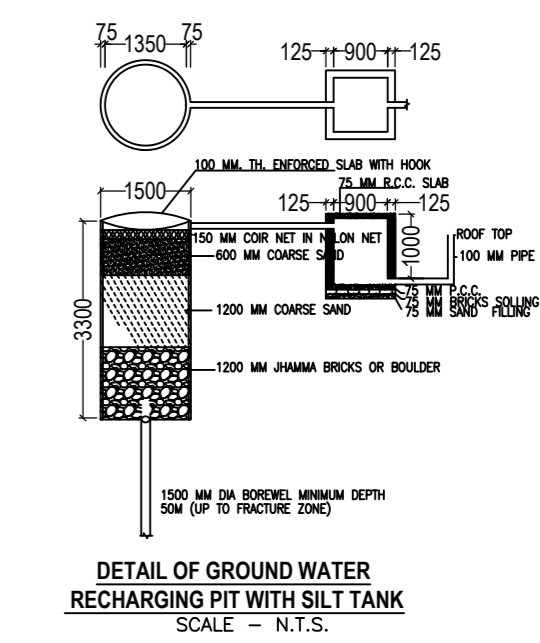


ELEVATION - C

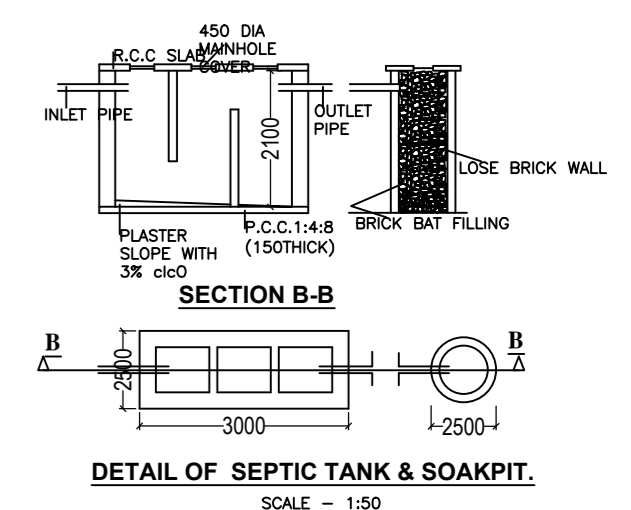


SECTION A-A

DETAIL OF FOUNDATION  
SCALE - N.T.S.



DETAIL OF GROUND WATER RECHARGING PIT WITH S.L.T. TANK  
SCALE - N.T.S.



DETAIL OF SEPTIC TANK & SOAKPIT  
SCALE - 1:25

LTP NAME AND SIGNATURE	STRUCTURAL ENGS NAME AND SIGNATURE	BUILDER NAME AND SIGNATURE	DIGITAL SIGNATURE
Arun Rajan BNPC/ARC0002/2016			