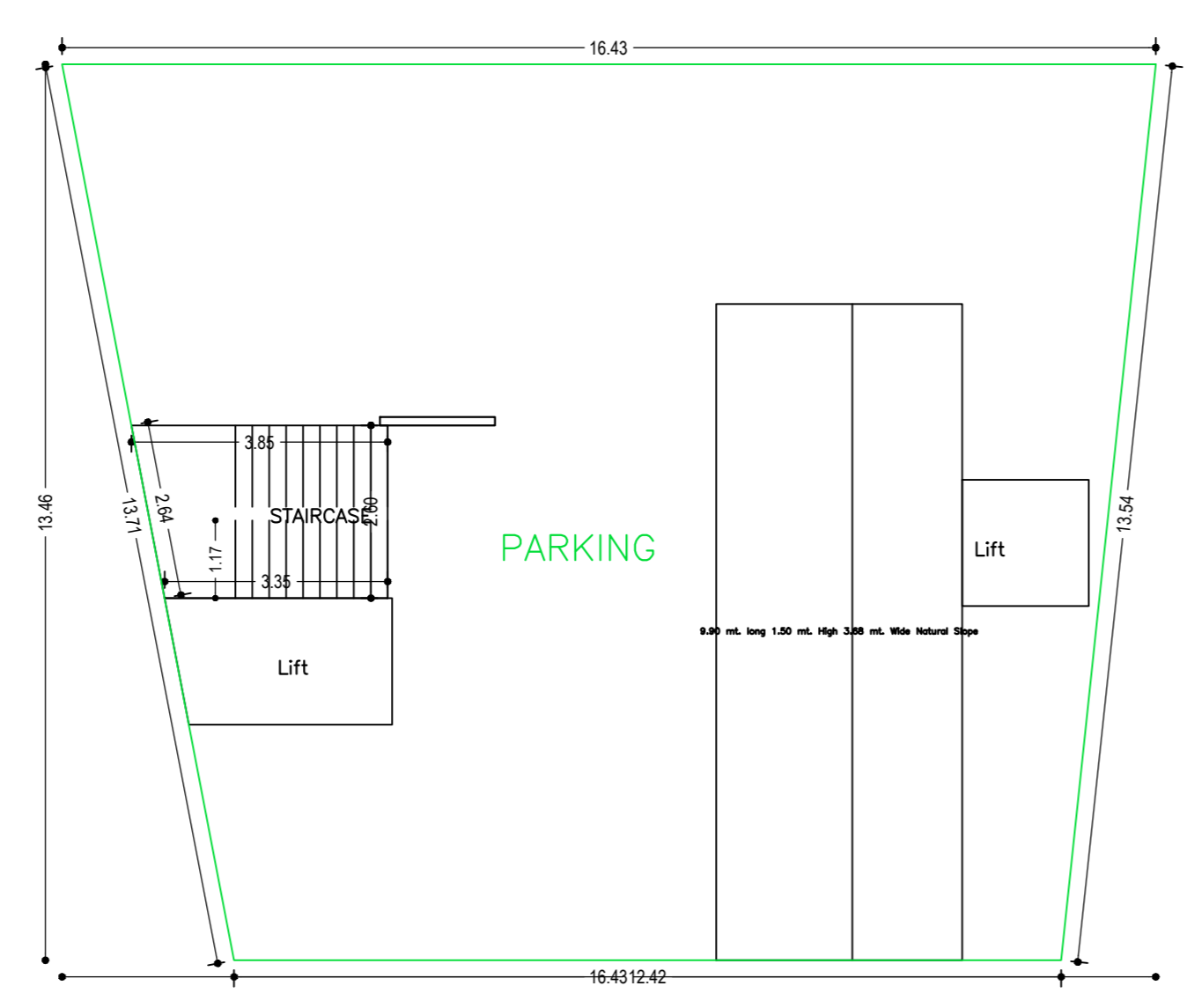
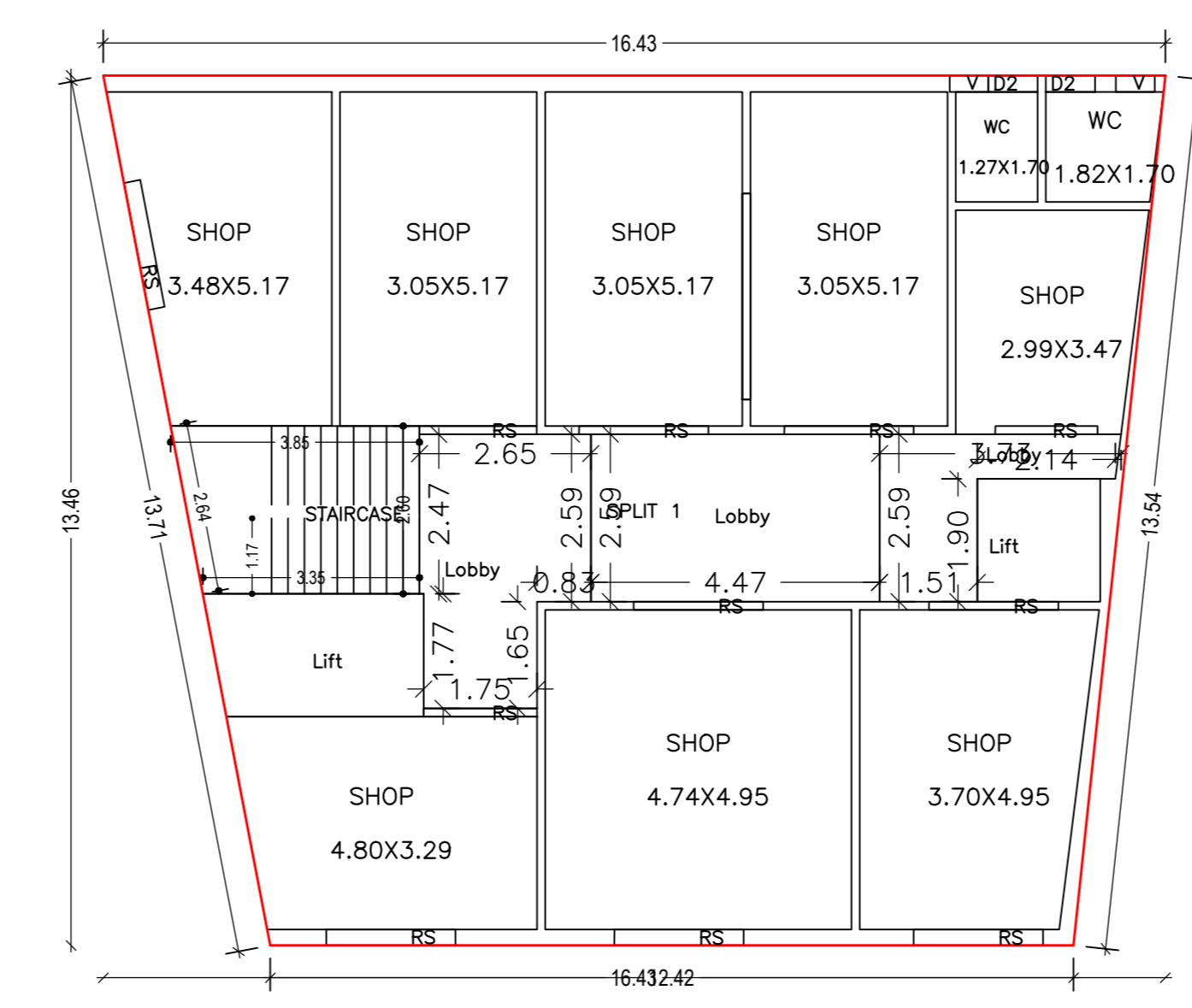


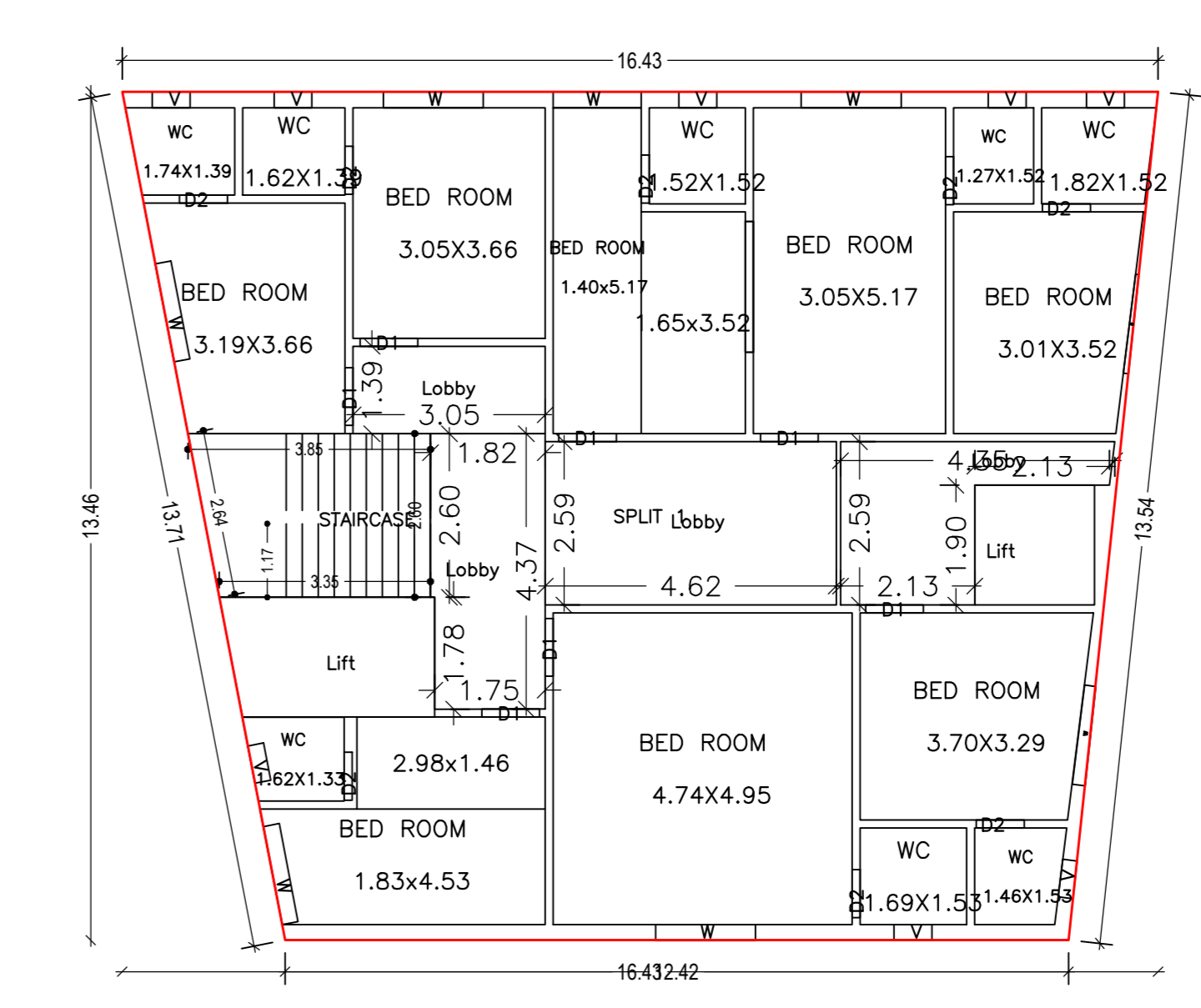
SITE PLAN (SCALE 1:100)



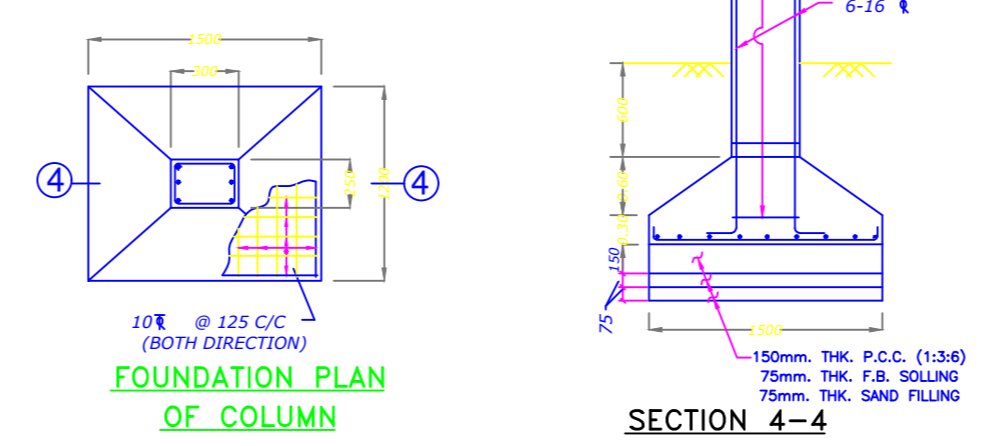
LOWER GROUND FLOOR PLAN (SCALE 1:100)



GROUND FLOOR PLAN (Proposed) (SCALE 1:100)

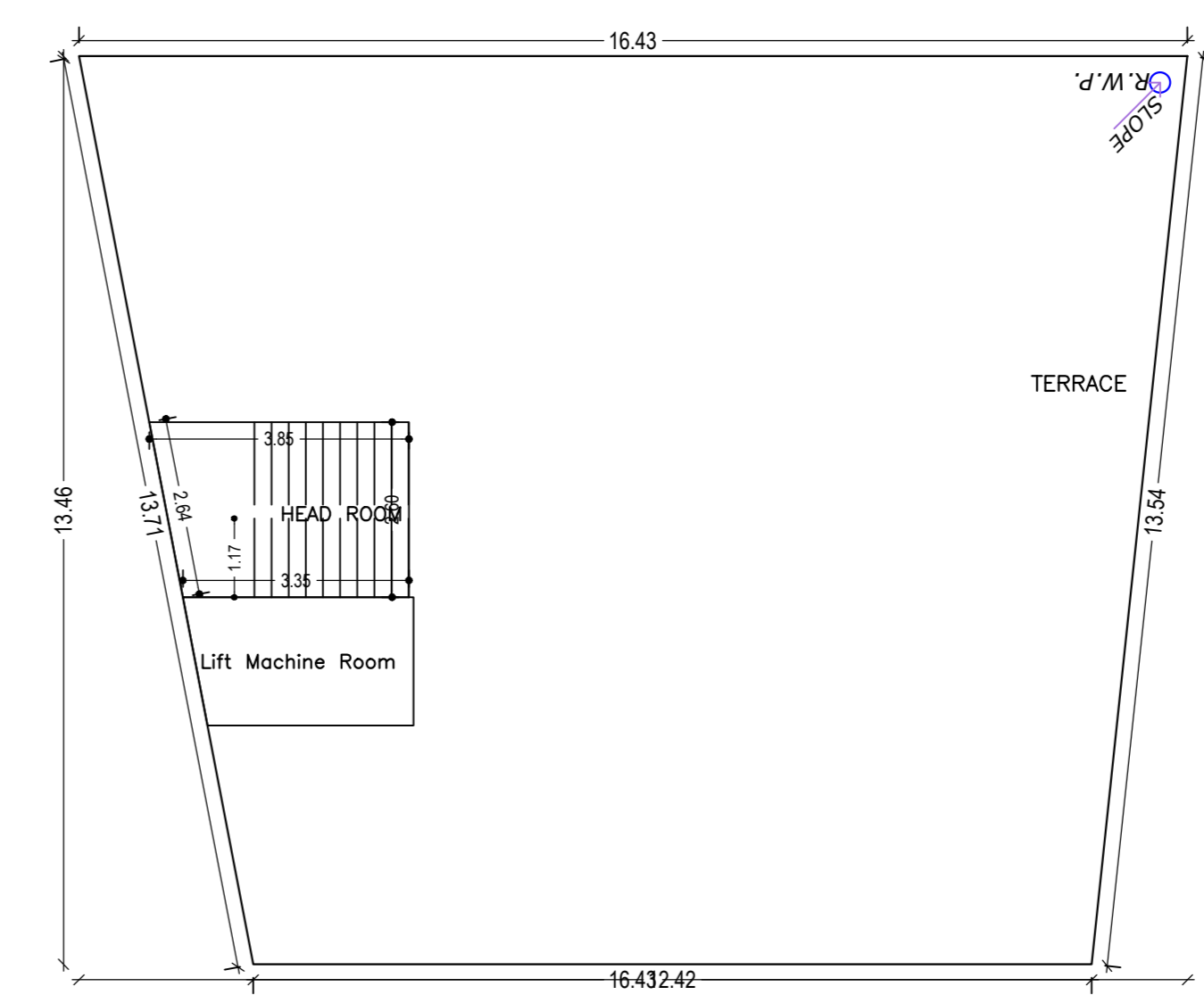


TYPICAL - 1 & 2 FLOOR PLAN (Proposed) (SCALE 1:100)



FOUNDATION PLAN OF COLUMN

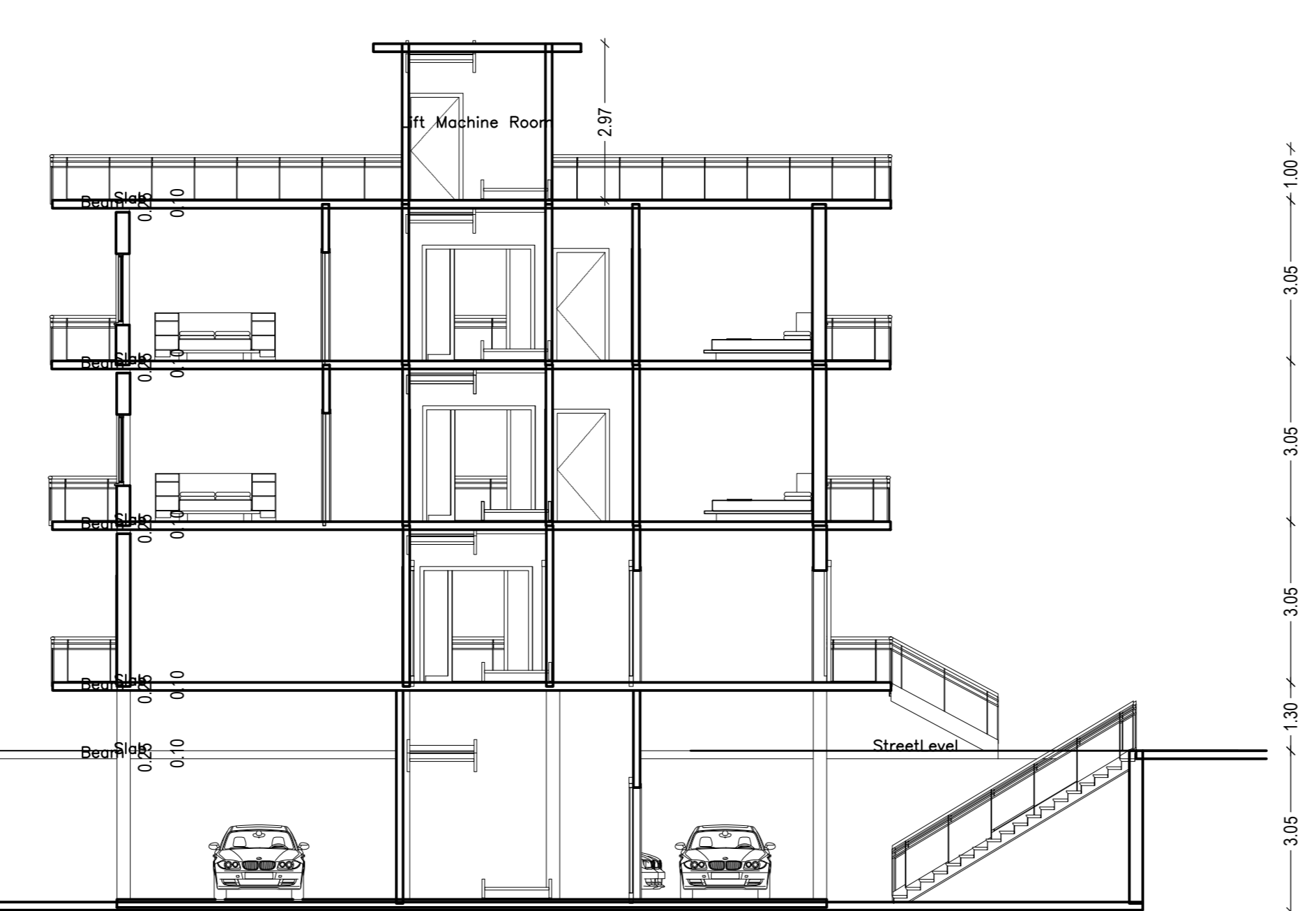
SECTION 4-4



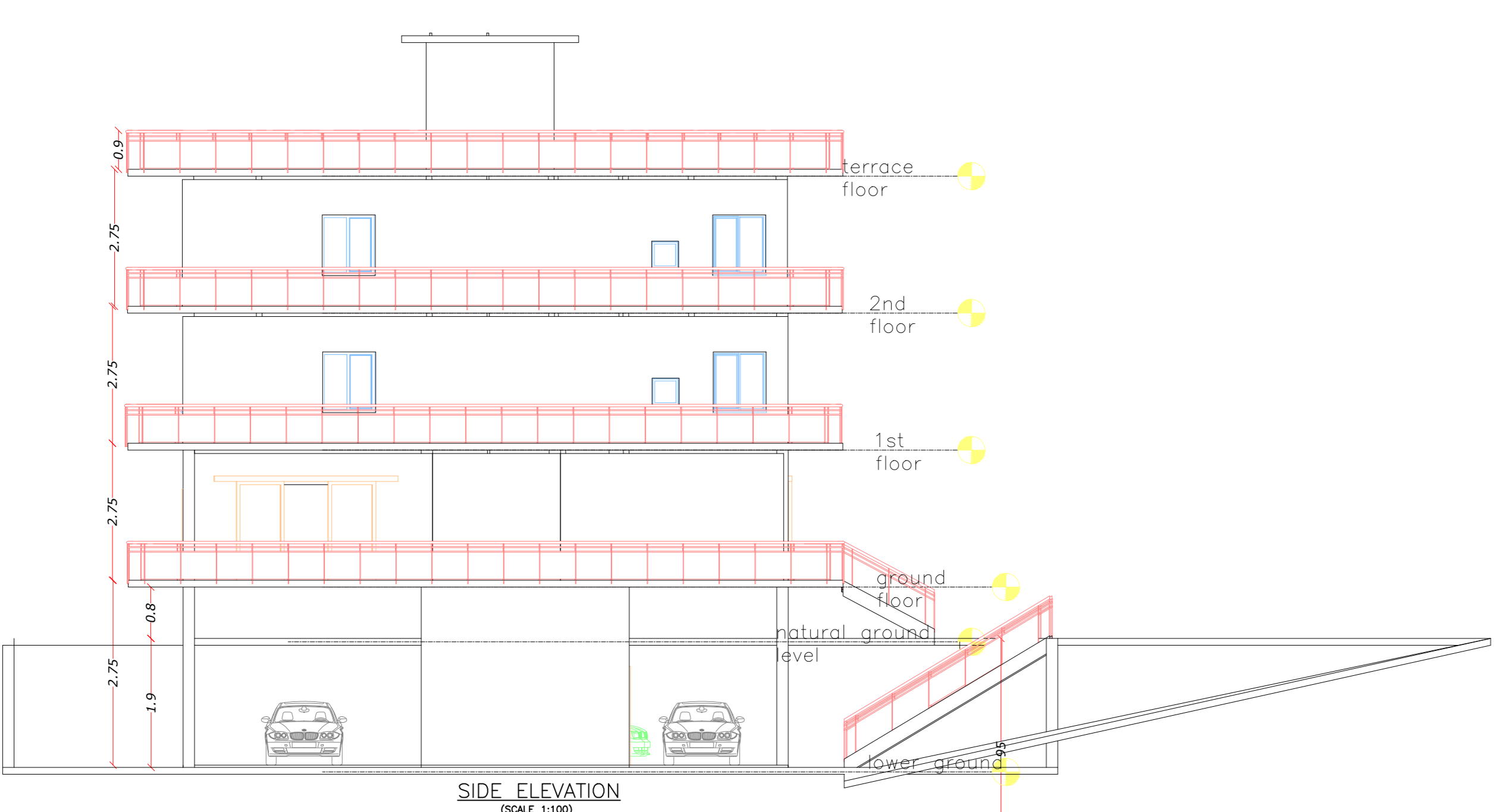
TERRACE FLOOR PLAN (SCALE 1:100)



SECTION X-X (SCALE 1:100)



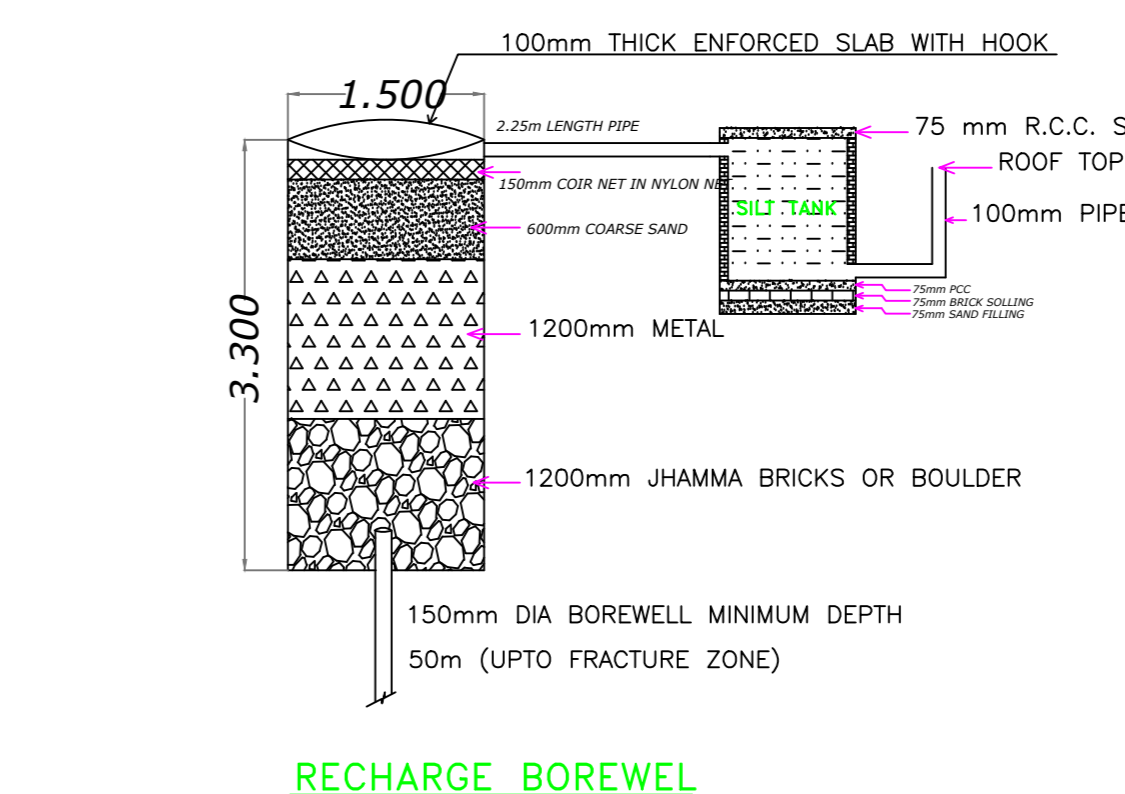
SECTION Y-Y (SCALE 1:100)



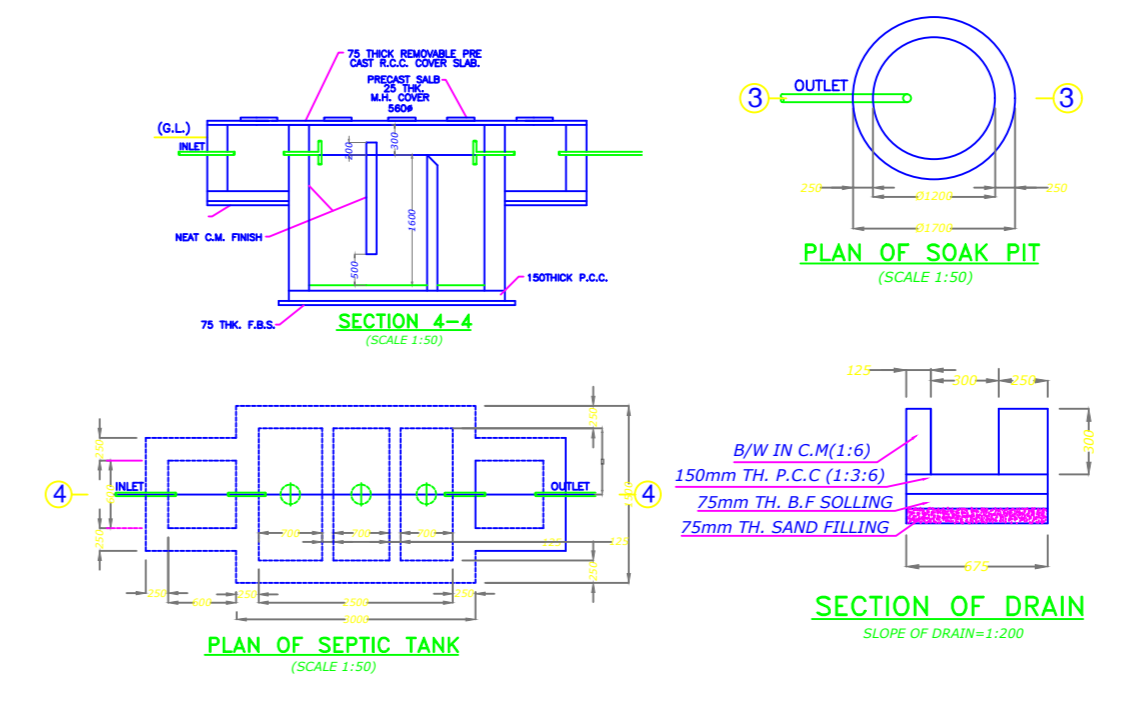
SIDE ELEVATION (SCALE 1:100)



FRONT ELEVATION (SCALE 1:100)



RECHARGE BOREWELL



PLAN OF SEPTIC-TANK

PLAN OF SOAK PIT

Proposed Basic Information

Proposal File No.	BNPC/BP0003/W03/2021
Owner Name	Madhu chaurasia
Khata No.	1116
Plot No.	73
Village Name	Bundu
Use	Commercial
SubUse	Shop

AREA STATEMENT BUNDU NAGAR PANCHAYAT VERSION NO. 1.0.02

PROJECT DETAIL:
Region: JHARKHAND URBAN
Local Bodies: Pkt Use: Commercial
District: RANCHI Pkt SubUse: Shop
Authority: BUNDU NAGAR PANCHAYAT Pkt/Nearby/Religious/Structure: NA

Invare. No. BNPC/BP0003/W03/2021 Pkt/SubPlot No. 73
Application Type: General Proposal North: Plot No. - 05/04/11/0
Project Type: Building Permission South: Plot No. - shival maha
Nature of Development: New East: Road Width: 24
Location of Development Area: Old West: Plot No. - vijn jaisal

AREA DETAILS

AREA OF PLOT (Minimum)	(A)	SQ.MT.
NET AREA OF PLOT (Gross Plot Area - Deduction from Gross Plot Area)	(A-Deductions)	445.35
Deduction for Balance Plot Area (from Gross Plot Area)		36.46
Common Plot		36.46
BALANCE AREA OF PLOT (Net Plot Area - Recreational/Amenity)	(A-Deductions)	408.89
PLOT AREA FOR COVERAGE (Net Plot Area)	(A-Deductions)	445.35
Plot Area by FAR (Net Plot Area - Road Widening Area)	(A-Deductions)	445.35

COVERAGE CHECK

Permissible Coverage area (50.00 %)	222.68
Proposed Coverage area (43.60 %)	194.19
Total Prop. Coverage Area (43.60 %)	194.19
Balance coverage area (6.40 %)	28.89

FAR CHECK

Perm. FAR Area (2.00)	890.70
Total Perm. FAR area	890.70
Commercial FAR	474.03
Proposed FAR Area	483.58
Total Proposed FAR Area	483.58
Conserved FAR (Factor)	1.00
Balance FAR Area	407.12

BUILT UP AREA CHECK

Total Proposed BuiltUp Area	740.30
-----------------------------	--------

ARCHITECT (Regd.)
ENGINEER (Regd.)
SUPERVISOR (Regd.)
OWNER (Regd.)

Phyanka
Madhu chaurasia

DEVELOPMENT AUTHORITY LOCAL BODY

COLOR INDEX

PLOT BOUNDARY	Black
ABUTTING ROAD	Red
PROPOSED CONSTRUCTION	Green
COMMON PLOT	Blue
ROAD WIDENING AREA	Yellow
EXISTING (To be retained)	Orange
EXISTING (To be demolished)	Grey

Buildingwise Floor FAR Details

Floor Name	Building Name A (BUILDING)		Total	
	Proposed Built Up Area (Sq.mt)	Proposed FAR Area (Sq.mt)	Total Proposed Built Up Area (Sq.mt)	Total FAR Area (Sq.mt)
Lower Ground Floor	157.75	9.34	157.75	9.34
Ground Floor	194.19	167.44	194.19	167.44
First Floor	194.18	153.40	194.18	153.40
Second Floor	194.18	153.40	194.18	153.40
Terrace Floor	0.00	0.00	0.00	0.00
Total	740.30	483.58	740.30	483.58

Building USE/SUBUSE Details

Building Name	Building Use	Building SubUse	Building Structure
A (BUILDING)	Commercial	Shop and Office	Non-Highrise

Required Parking (Table 7a)

Building Name	Type	SubUse	Units		Car		TwoWheeler		
			Area (Sq.mt)	Reqd./Prop.	Reqd./Prop.	Reqd./Prop.	Reqd./Prop.	Reqd./Prop.	
A (BUILDING)	Commercial	Shop	>= 0	50	143.34	1	2	1	7
		Shop and Office	>= 0	200	288.11	1	1	1	3
		Office	>= 0	200	288.11	-	-	1	3
Total	-	-	-	-	3	6	1	20	

Parking Check (Table 7b)

Vehicle Type	No.	Reqd.		Prop.	
		Area	No.	Area	No.
Car	-	-	6	75.00	-
Total Car	3	37.50	6	75.00	-
TwoWheeler	-	-	20	45.00	-
Total TwoWheeler	10	20.00	20	45.00	-
Other Parking	-	-	-	138.65	-
Total	13	57.50	26	293.65	-

FAR & Tenement Details (Table 4c-1)

Building	No. of Store Bldg	Total Built Up Area (Sq.mt)	Deductions (Area in Sq.mt)	Proposed FAR Area (Sq.mt)	Add Area in FAR (Sq.mt)	Total FAR Area (Sq.mt)	Total Consumed Additional FAR Area (Sq.mt)	Tnmt (No.)
A (BUILDING)	1	740.30	29.26	88.81	138.65	474.23	9.34	483.58
Grand Total	1	740.30	29.26	88.81	138.65	474.23	9.34	483.58

Building :A (BUILDING)

Floor Name	Total Built Up Area (Sq.mt)	Deductions (Area in Sq.mt)	Proposed FAR Area (Sq.mt)	Add Area in FAR (Sq.mt)	Total FAR Area (Sq.mt)	Total Consumed Additional FAR Area (Sq.mt)	Tnmt (No.)
Lower Ground Floor	157.75	9.76	0.00	138.65	0.00	9.34	9.34
Ground Floor	194.19	0.00	26.75	0.00	167.44	0.00	167.44
First Floor	194.18	9.75	31.03	0.00	153.40	0.00	153.40
Second Floor	194.18	9.75	31.03	0.00	153.40	0.00	153.40
Terrace Floor	0.00	0.00	0.00	0.00	0.00	0.00	0.00
Total	740.30	29.26	88.81	138.65	474.23	9.34	483.58

SCHEDULE OF DOOR:

BUILDING NAME	NAME	LENGTH	HEIGHT	NOS
A (BUILDING)	D2	0.75	2.10	18
A (BUILDING)	D1	0.91	2.10	14
A (BUILDING)	RS	1.58	2.10	01
A (BUILDING)	RS	1.75	2.10	01
A (BUILDING)	RS	1.62	2.10	01
A (BUILDING)	RS	2.00	2.10	08

SCHEDULE OF WINDOW/VENTILATION:

BUILDING NAME	NAME	LENGTH	HEIGHT	NOS
A (BUILDING)	V	0.60	1.20	18
A (BUILDING)	W	1.40	1.20	02
A (BUILDING)	W	1.58	1.20	14

UnitBUA Table for Building :A (BUILDING)

FLOOR	Name	UnitBUA Type	UnitBUA Area	Carpet Area	No. of Rooms	No. of Tenement
GROUND FLOOR PLAN	SPLIT 1	SHOP	175.60	175.20	10	1
TYPICAL - 1 & 2 FLOOR PLAN	SPLIT 1	OTHER	175.61	175.34	16	2
Total	-	-	351.21	350.54	26	3

LTP NAME AND SIGNATURE	STRUCTURAL ENGS NAME AND SIGNATURE	BUILDER NAME AND SIGNATURE	DIGITAL SIGNATURE
Phyanka BNPC/ARC/0002/2021			