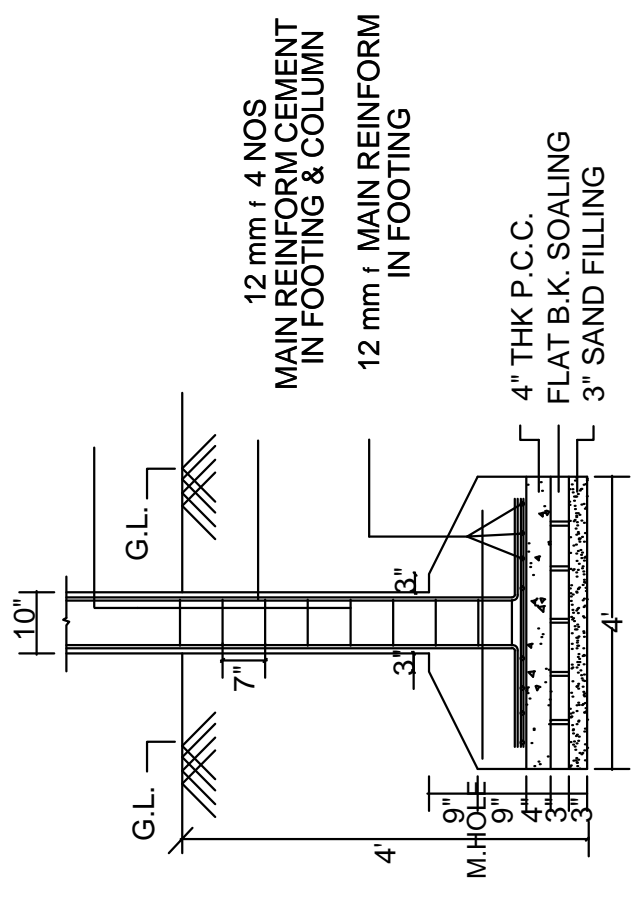


FOUNDATION PLAN
 SCALE :- 1" = 4'-0"



DETAIL OF ISOLATED FOOTING
 SCALE :- 1" = 4'-0"