

N VILLAGE-BUNDU

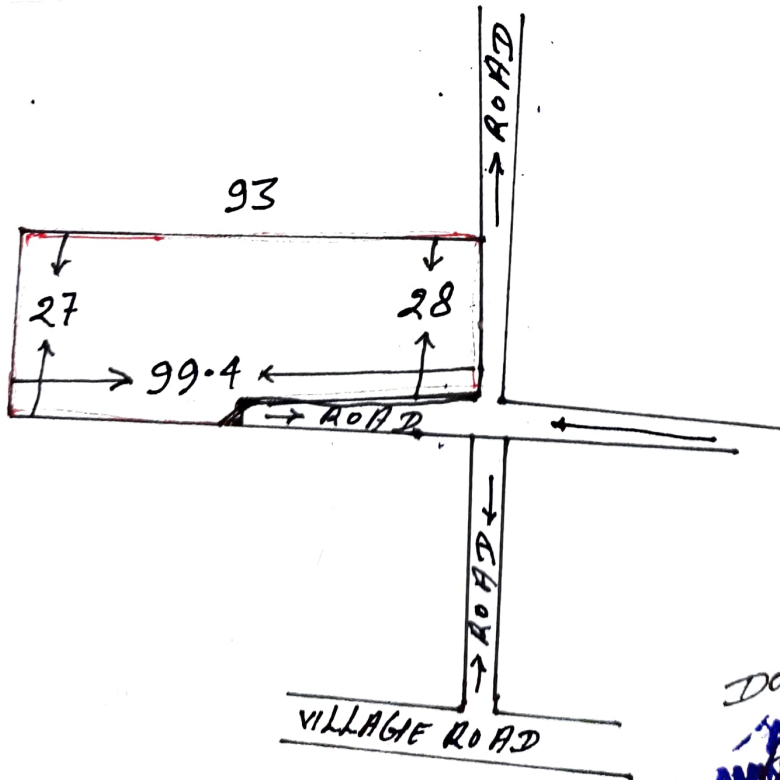
P.S. NO-28

P.S - BUNDU

DIST-RANCH

R.S PLOT IS SHOWN IN RED COLOUR

KHATA NO	PLOT NO	AREA
01	1979	6.2.



Doman Ahi

AMIN
AMIN NO 3097
BUNDU RANCHI

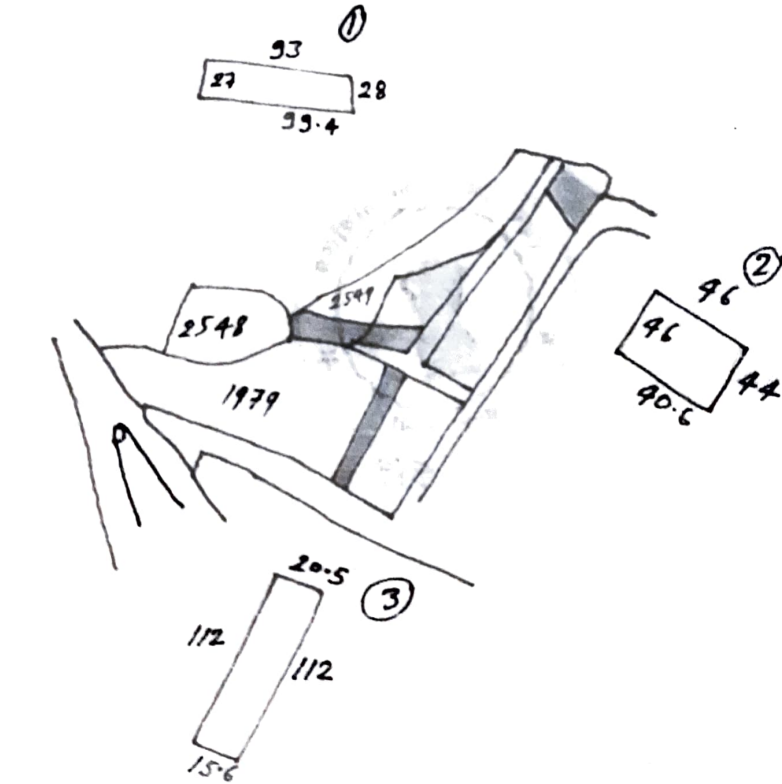
Amin No 3097,

N
 VILLAGE-BUNDU
 P.S. NO-28
 P.S. BUNDU
 DIST - RANCH

SCALE 32 INCH = 1 MILE.

R.S PLOT IS SHOWN IN RED COLOUR.

KHATA No	PLOT NO	AREA
01	1979	15 D.



जवाहर नगर
 जवाहर नगर, अ. नं. 3097, Amin

