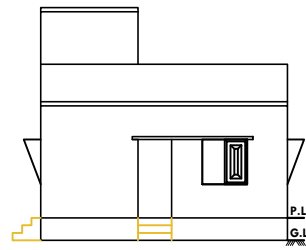
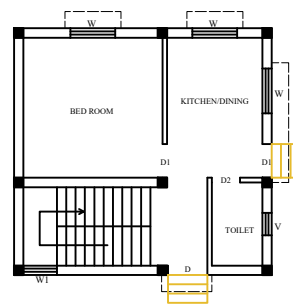


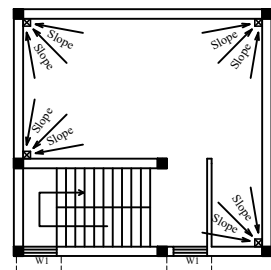
FRONT ELEVATION
SCALE - 1:100



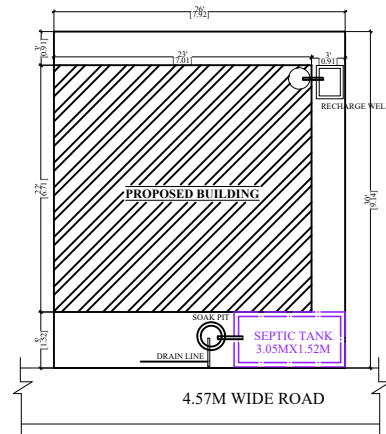
SIDE ELEVATION
SCALE - 1:100



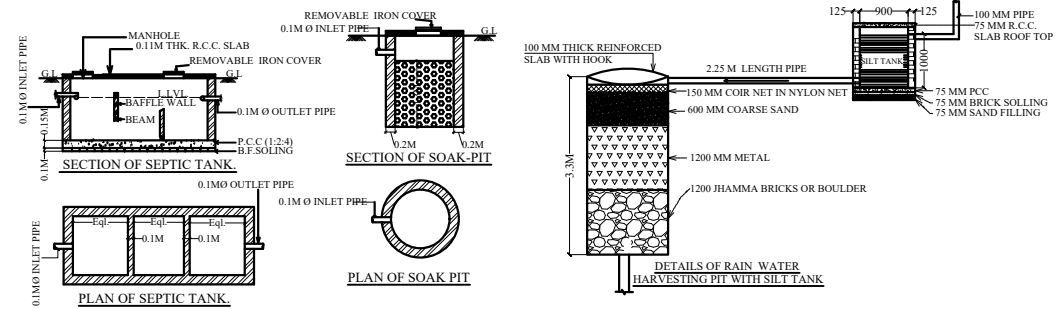
GROUND FLOOR PLAN
SCALE = 1:100



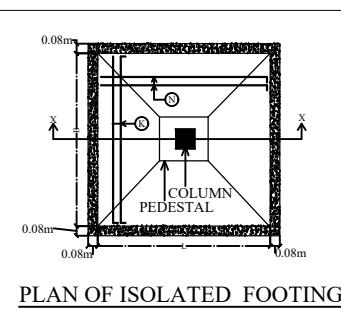
TERRACE FLOOR PLAN
SCALE = 1:100



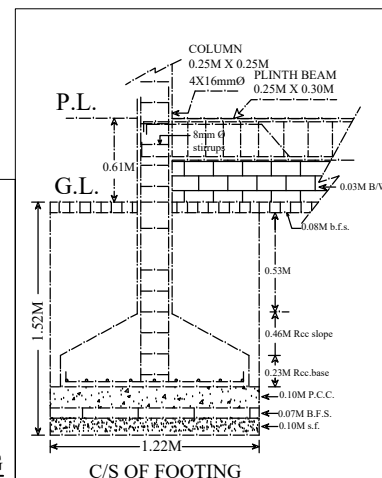
KEY PLAN
NORTH SIDE ROAD & FRONT
SCALE-1:100



S.NO.	MKD	SIZE	DESCRIPTION
1.	D	1.07 M X 2.13M	Pannelled single shutter door.
2.	D1	0.91 M X 2.13M	Pannelled single shutter door.
3.	D2	0.76 M X 2.13M	Pannelled single shutter door.
4.	W	1.22 M X 1.22 M	Glazed steel framed window 3. shutt
5.	W1	0.91 M X 1.22 M	Glazed steel framed window 2. shutt
6.	V	0.61M X 0.61M	Top hung steel ventilator.



PLAN OF ISOLATED FOOTING



C/S OF FOOTING

GENERAL SPECIFICATION :-

FOUNDATION	: PLAIN CEMENT CONCRETE AS PER DESIGN. : R.C.C. COLUMN FOOTING & COLUMN AS PER STRUCTURAL DESIGN.
SUPER STRUCTURE	: R.C.C. COLUMN AND BEAM AS PER STRUCTURAL DESIGN. : 0.23m THK. EXTERNAL WALL & 0.11m THK. PARTITION WALL. : IN CEMENT MORTAR. : R.C.C. ROOF SLAB AS PER STRUCTURAL DESIGN.
INTERNAL FINISH	: MOSAIC SITU FLOOR. : CERAMIC TILES DADO IN TOILET. : KOTA STONE IN KITCHEN FLOOR.
SANITARY	: CEMENT PLASTER, P.O.P & O.B.D. : VITROUS CHINA SANITARY WARE : G.I. PIPE FOR WATER SUPPLY. : P.V.C. PIPE FOR DISPOSAL.
DOORS & WINDOW	: AS PER SCHEDULE.
ELECTRICAL	: COPPER CONDUCTOR WITH P.V.C. CONDUIT.

PROPOSED RESIDENTIAL BUILDING FOR

DRAWING : SITE PLAN, LOCATION PLAN, ALL FLOOR PLANS,
SECTIONS, AREA CALCULATION & ELEVATION DRAWING.

SCALE - 1:100 SHEET NO.-01OF 01

SIGNATURE OF ARCHITECT / ENGINEER

SIGNATURE OF OWNER

APPROVED BY