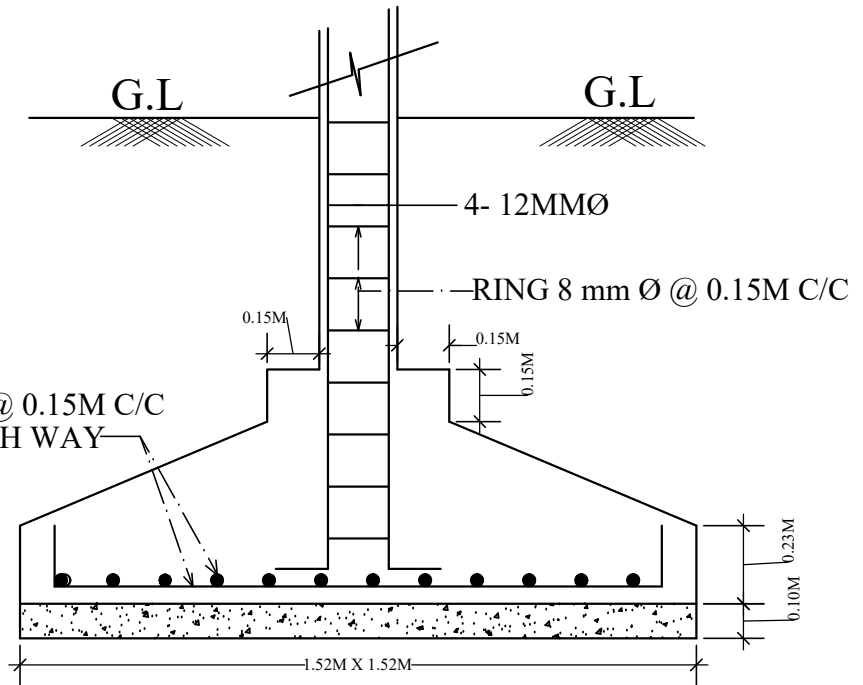
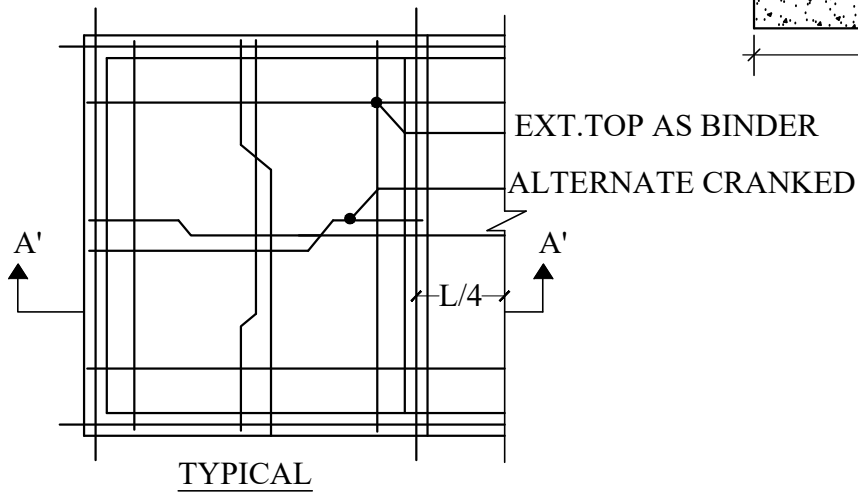


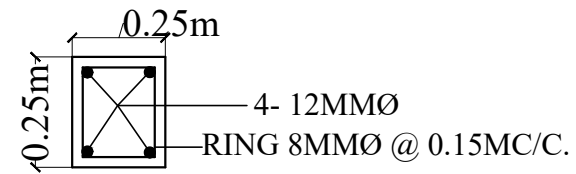
**PLAN OF ISOLATED FOOTING**



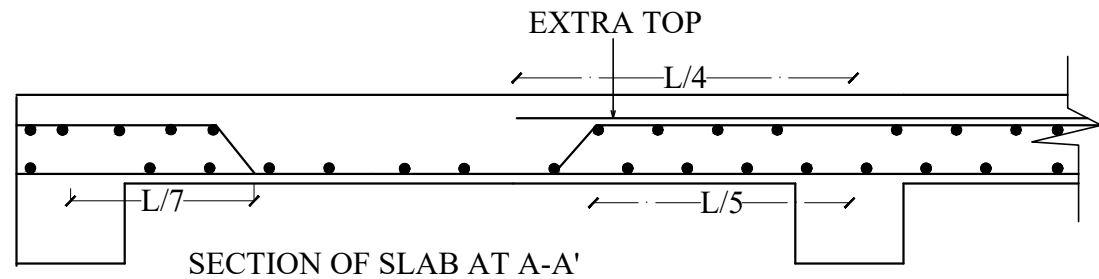
**SECTION OF FOOTING .**



**TYPICAL**



**SECTION OF COLUMN.**



**SECTION OF SLAB AT A-A'**