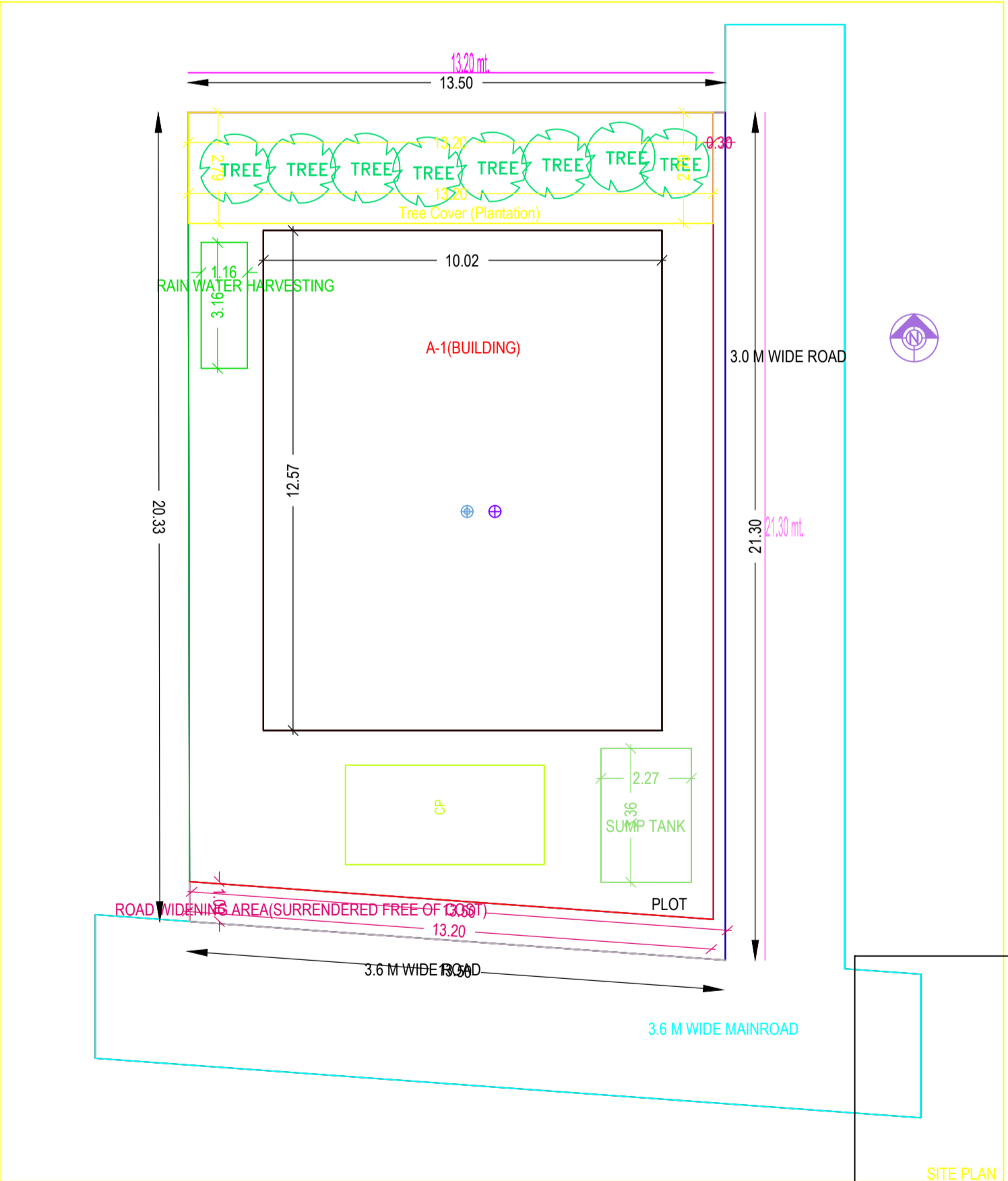
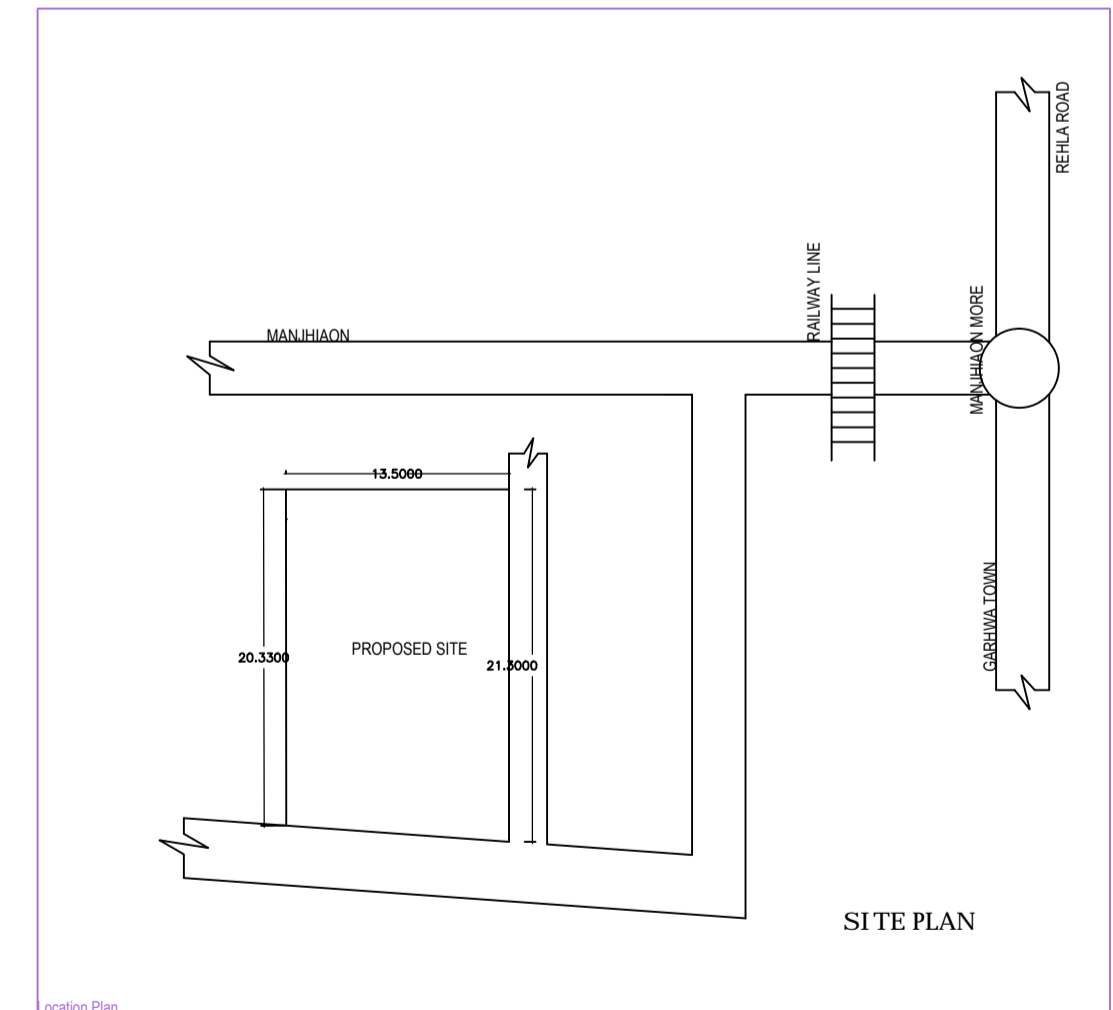
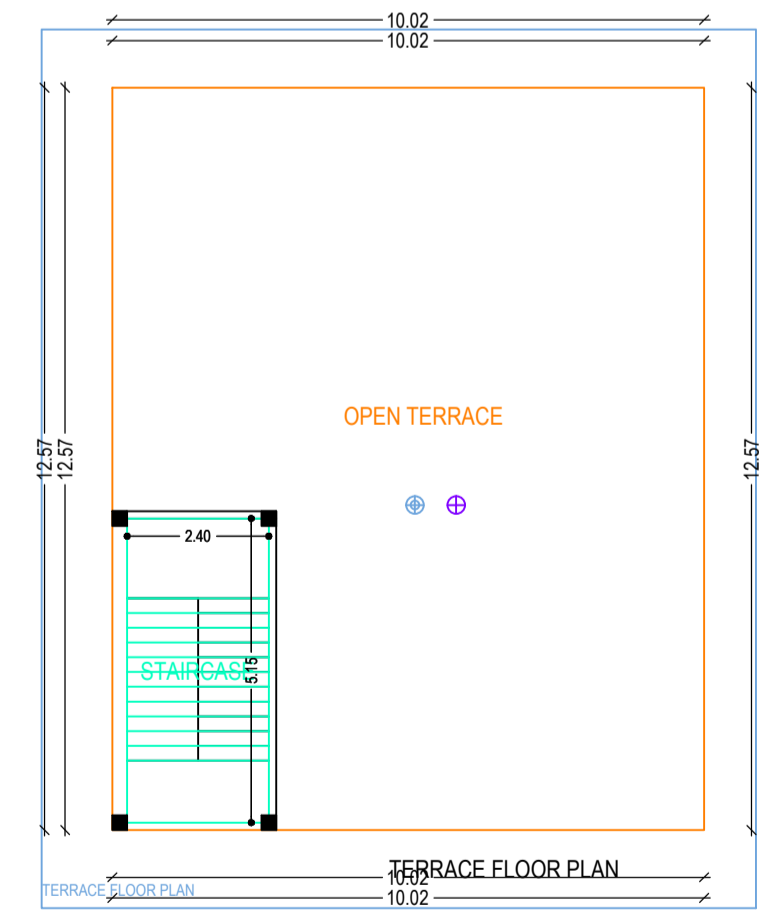
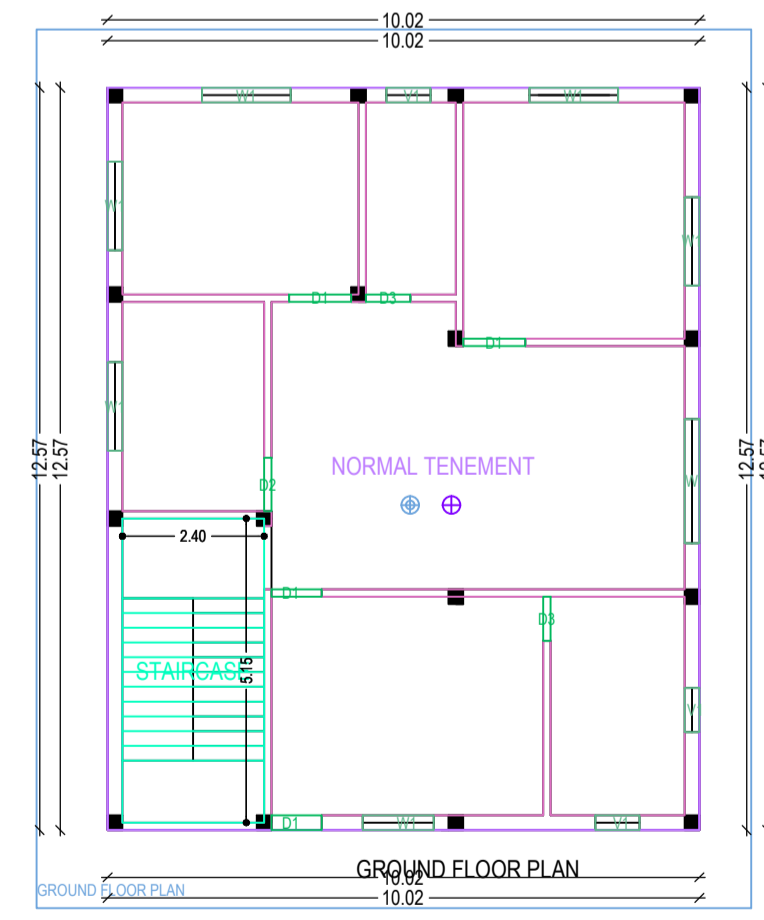
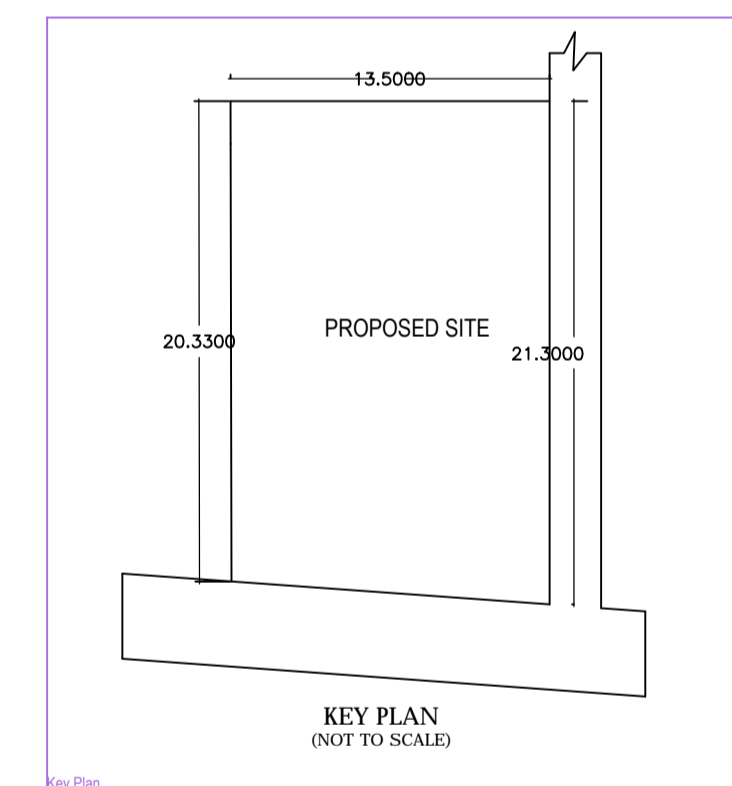
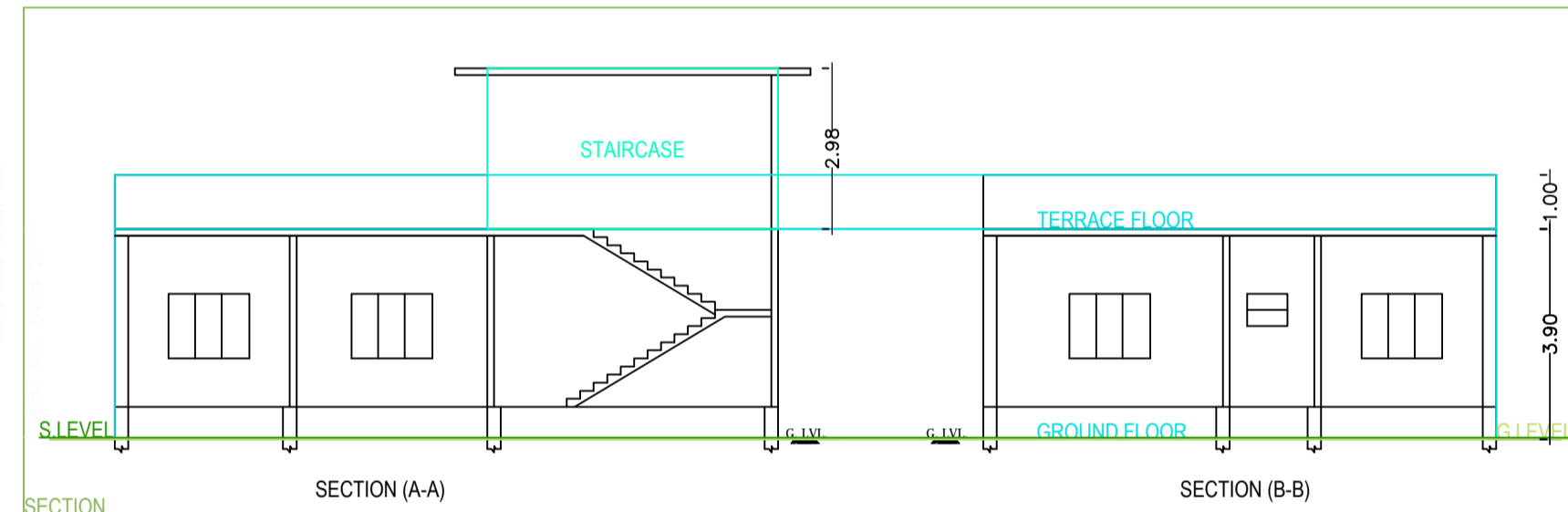
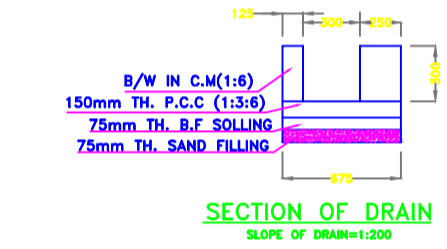
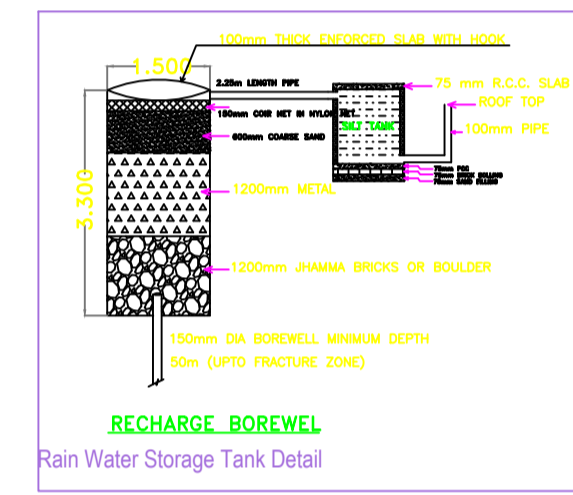
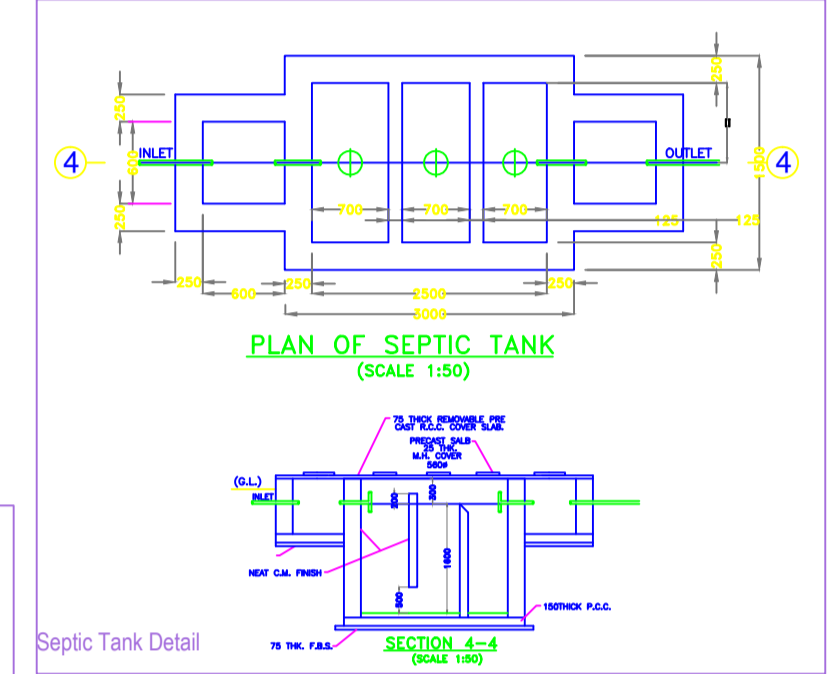
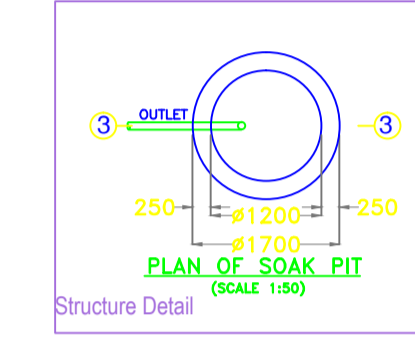
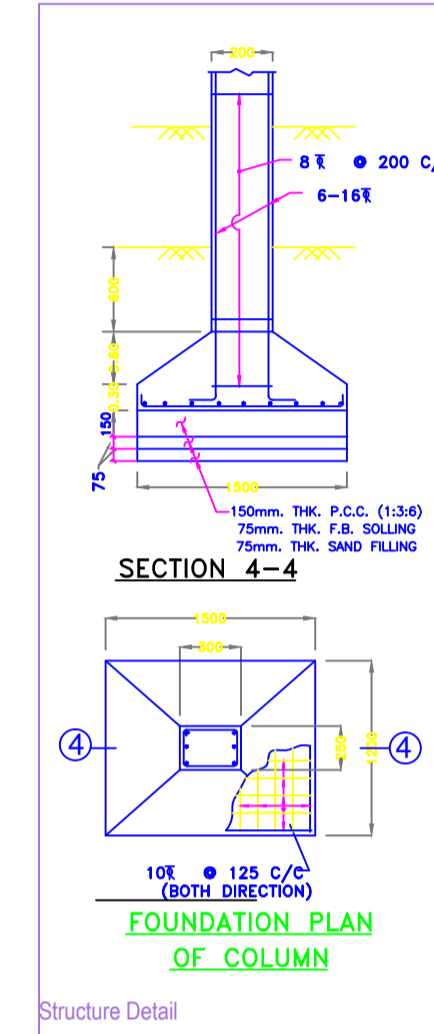
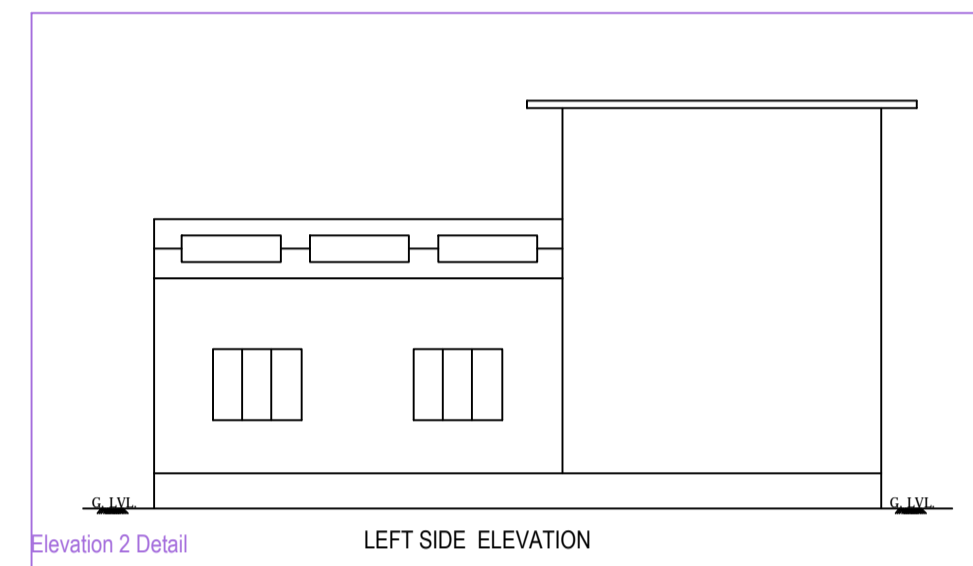
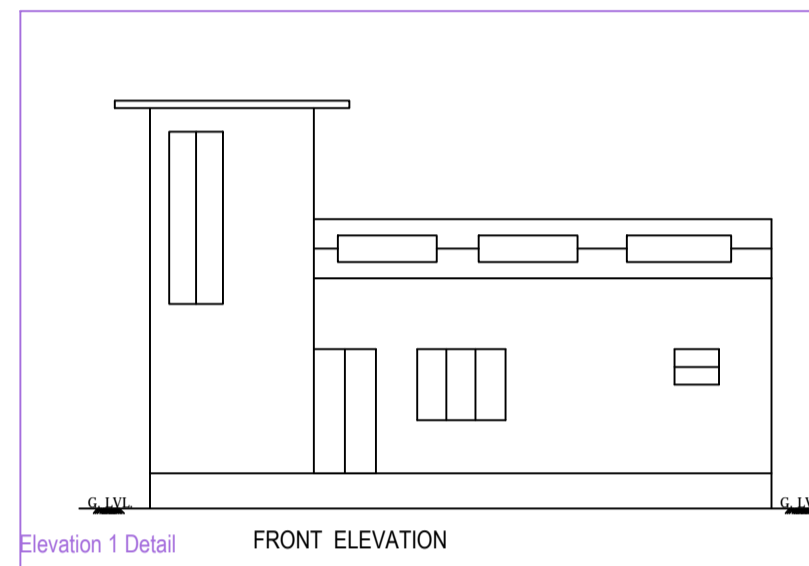


Project Title :-PROPOSED GROUND FLOOR RESIDENTIAL BUILDING OF SMT KORAI SHA KHATOON W/O MD. MANSOOR AHMED SITUATED AT:- UNCHRI, P.S.+ P.O.- GARHWA, DISTT.- GARHWA (JHARKHAND)



A (BUILDING)

Building 'A (BUILDING)