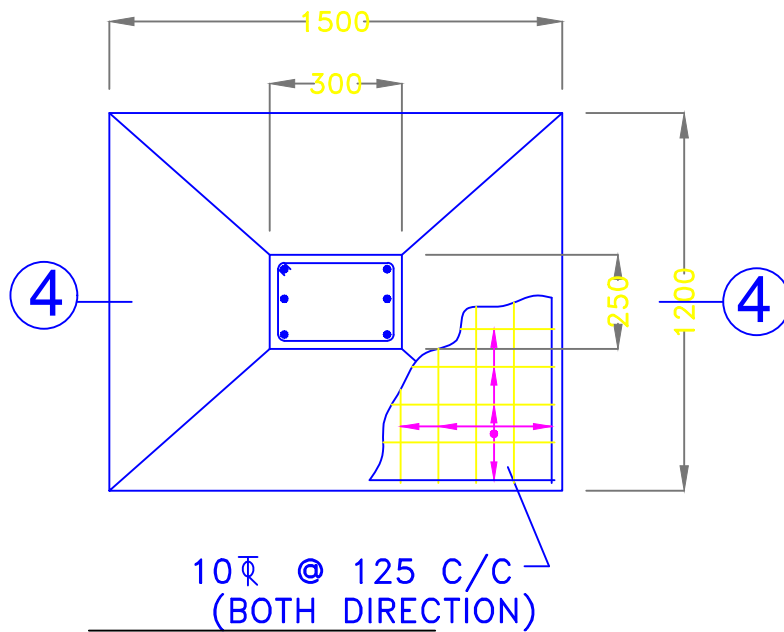


### SECTION 4-4



### FOUNDATION PLAN OF COLUMN