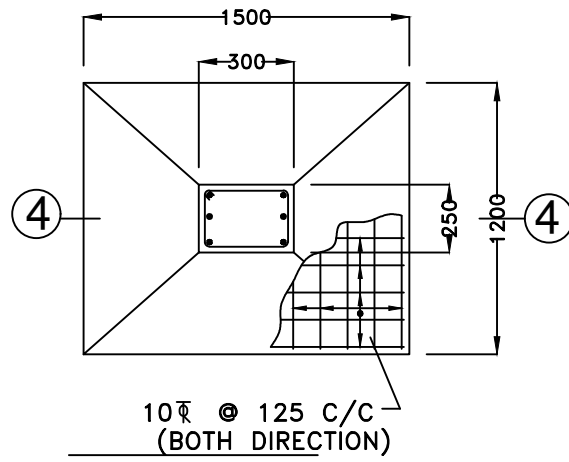


SECTION 4-4



FOUNDATION PLAN OF COLUMN

Structure Detail

