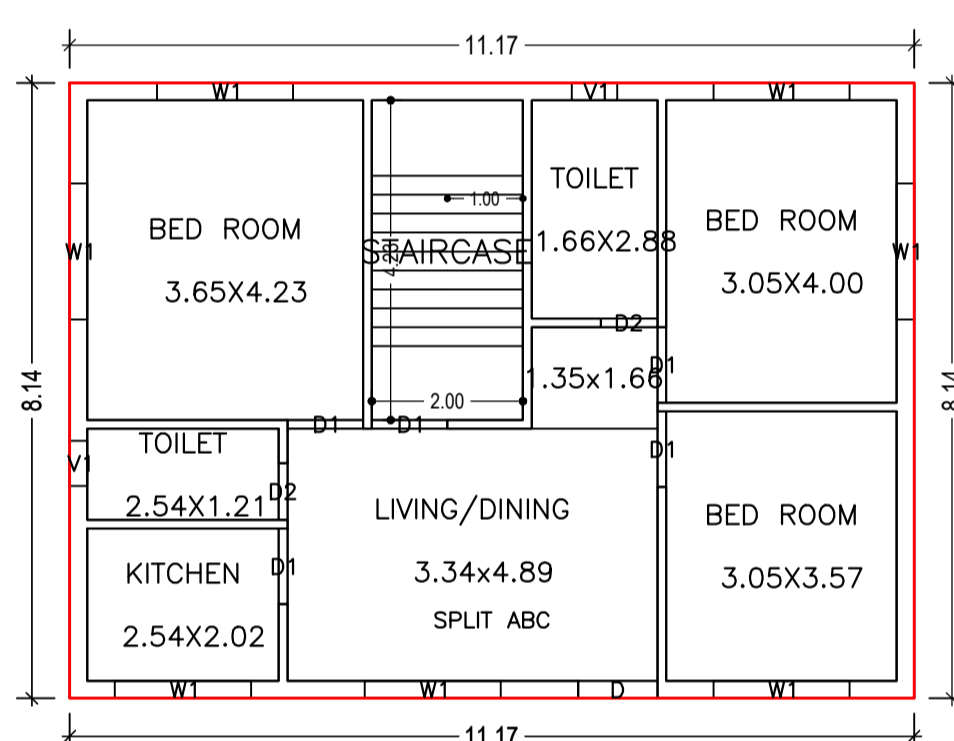
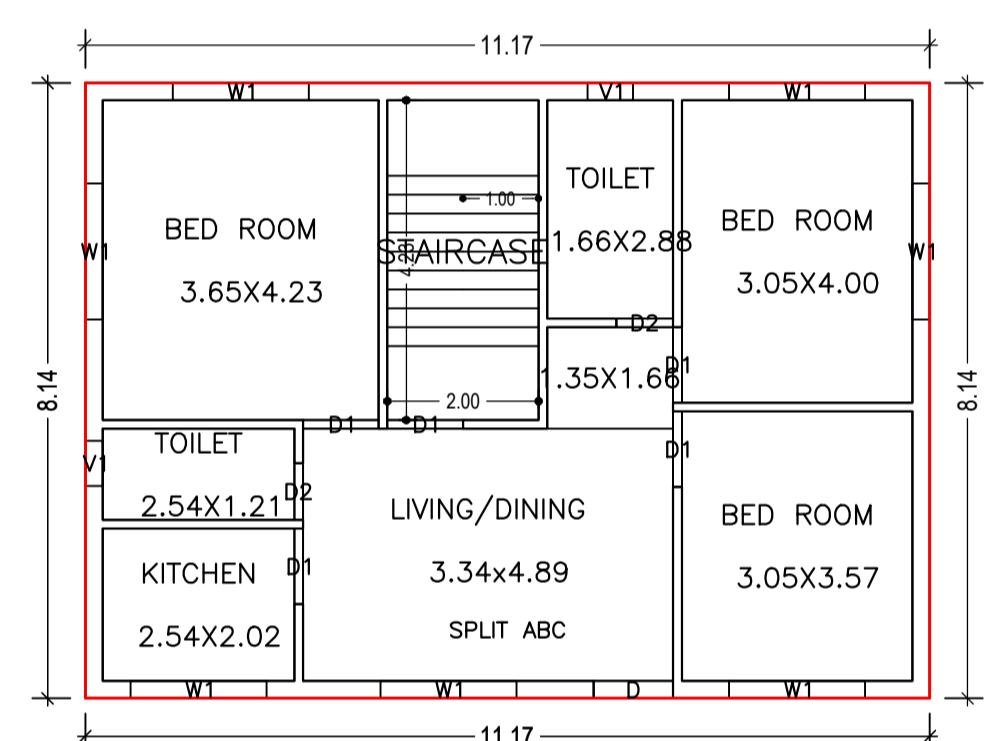


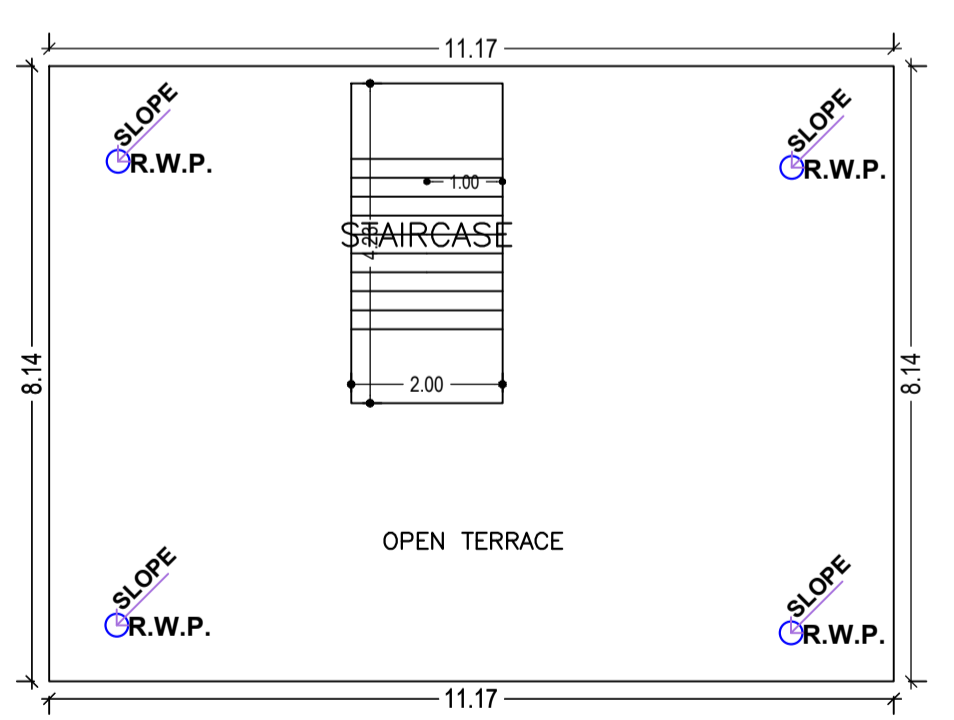
SITE PLAN



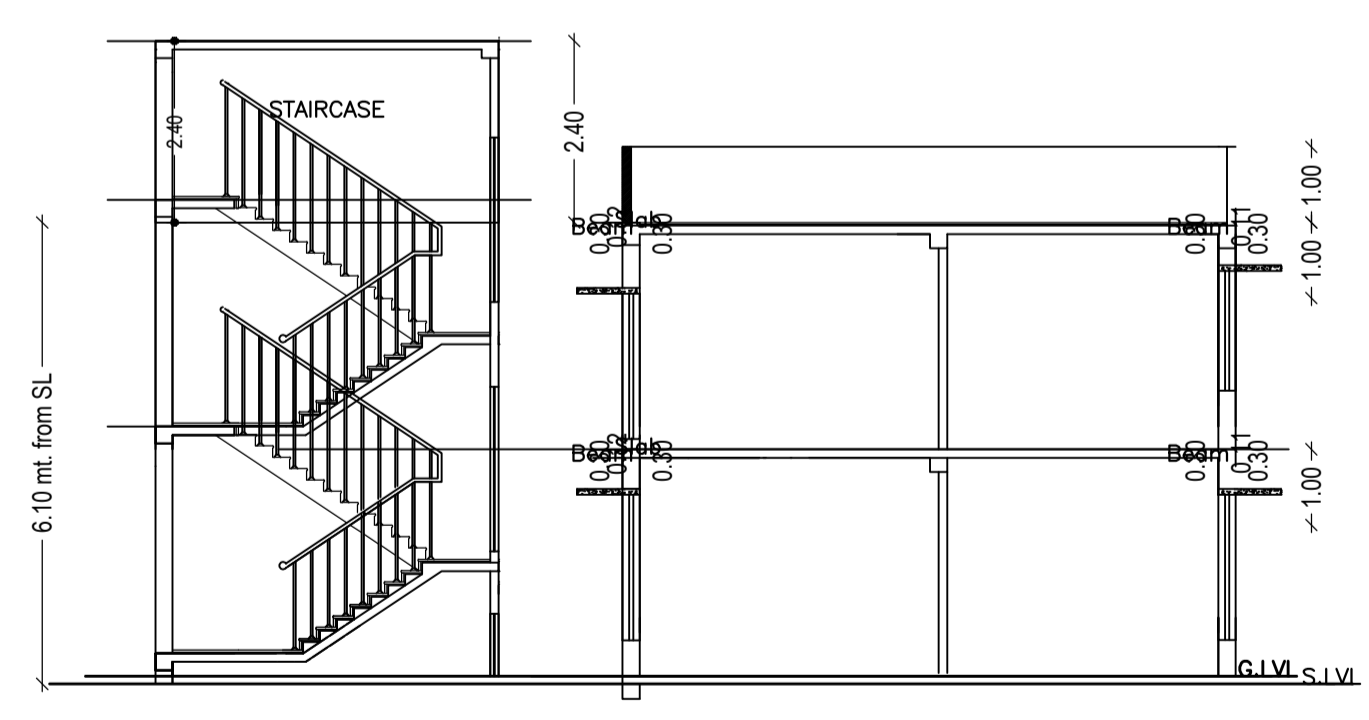
GROUND FLOOR PLAN (Proposed) (SCALE 1:100)



FIRST FLOOR PLAN (Proposed) (SCALE 1:100)



TERRACE FLOOR PLAN (SCALE 1:100)



SECTION AT - XX SECTION AT - YY

Building :A(BUILDING)

Floor Name	Total Built Up Area (Sq.mt.)	Proposed FAR Area (Sq.mt.) Resi.	Total FAR Area (Sq.mt.)	Total Consumed Additional FAR Area (Sq.mt.)	Tnmt (No.)
Ground Floor	90.92	90.92	90.92	90.92	01
First Floor	90.92	90.92	90.92	90.92	00
Terrace Floor	0.00	0.00	0.00	0.00	00
Total :	181.84	181.84	181.84	181.84	01
Total Number of Same Buildings	1				
Total :	181.84	181.84	181.84	181.84	01

SCHEDULE OF DOOR:

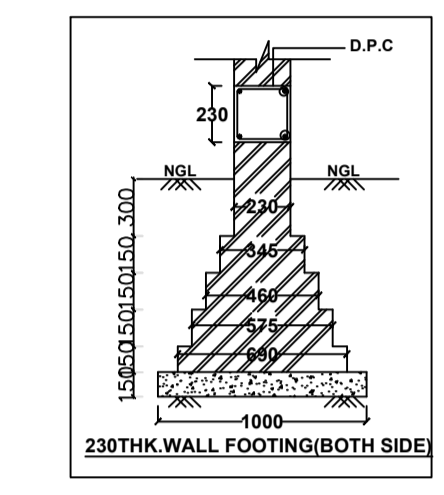
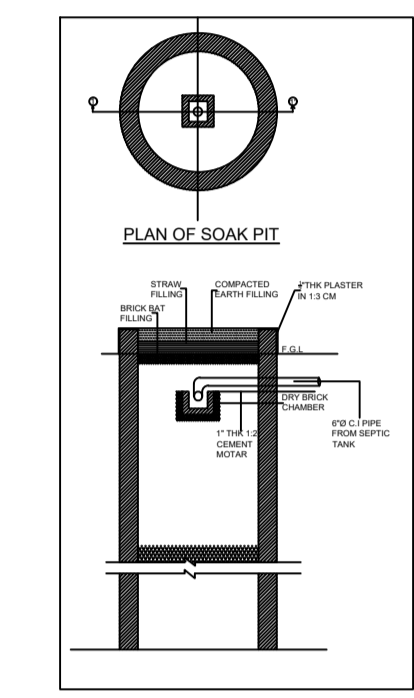
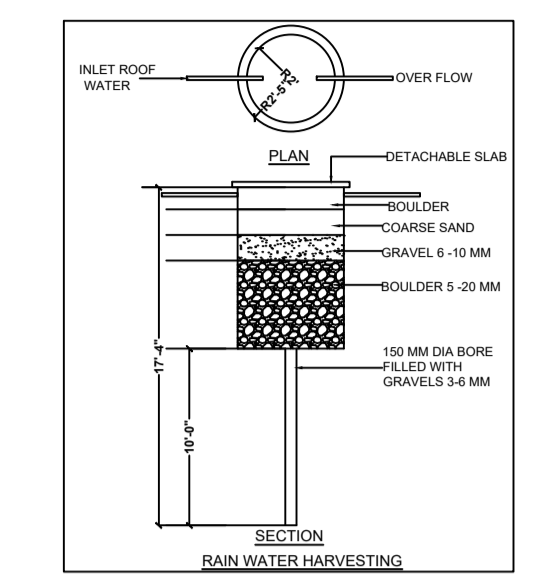
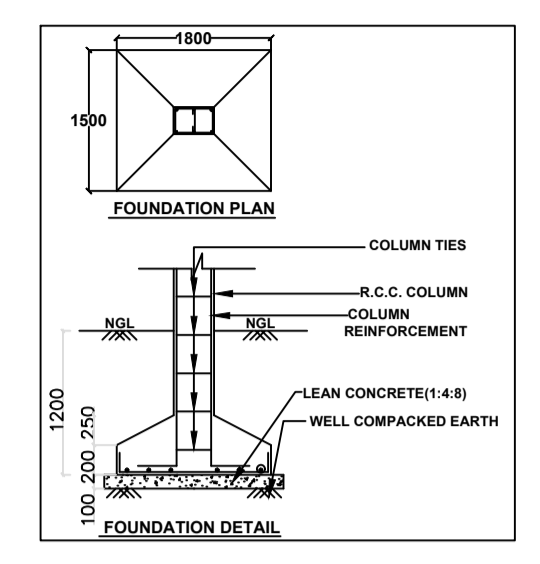
BUILDING NAME	NAME	LENGTH	HEIGHT	NOS
A(BUILDING)	D2	0.75	2.10	04
A(BUILDING)	D1	1.00	2.10	10
A(BUILDING)	D	1.05	2.10	02

SCHEDULE OF WINDOW/VENTILATION:

BUILDING NAME	NAME	LENGTH	HEIGHT	NOS
A(BUILDING)	V1	0.60	1.20	04
A(BUILDING)	W1	1.80	1.20	14

UnitBUA Table for Building :A(BUILDING)

FLOOR	Name	UnitBUA Type	UnitBUA Area	Carpet Area	No. of Rooms	No. of Tenement
GROUND FLOOR PLAN	SPLIT ABC	FLAT	181.85	158.98	7	1
FIRST FLOOR PLAN	SPLIT ABC	FLAT	0.00	0.00	7	0
Total:	-	-	181.85	158.98	14	1



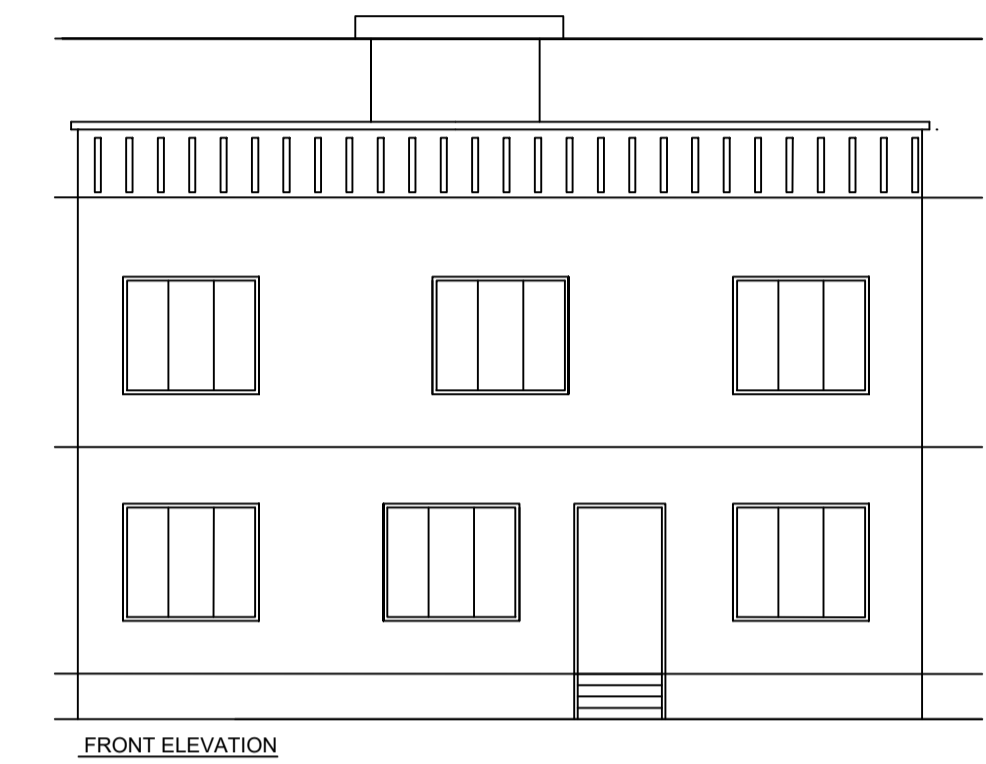
FAR & Tenement Details (Table 4c-1)

Building	No. of Same Bldg	Total Built Up Area (Sq.mt.)	Proposed FAR Area (Sq.mt.) Resi.	Total FAR Area (Sq.mt.)	Total Consumed Additional FAR Area (Sq.mt.)	Tnmt (No.)
A(BUILDING)	1	181.84	181.84	181.84	181.84	01
Grand Total :	1	181.84	181.84	181.84	181.84	01

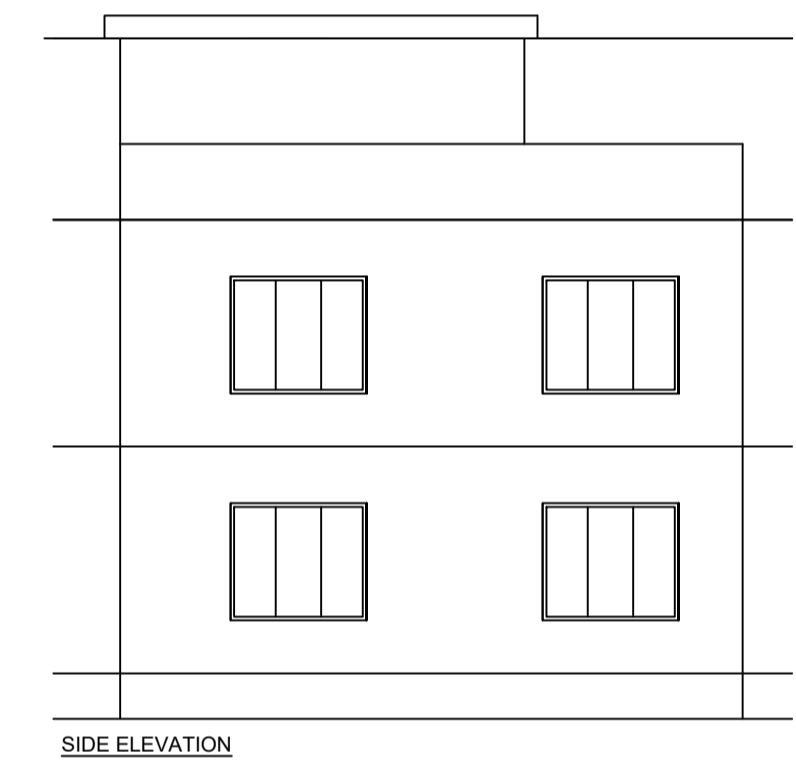
Proposal Basic Information

Proposal File No.	GNPC/BP/0033/W08/2023
Owner Name	SHRI SATYENDRA KUMAR PASWAN
Khata No	37
Plot No	194
Village Name	Tandwa
Use	Residential
SubUse	Bungalow/ Dwelling / Non Apartment

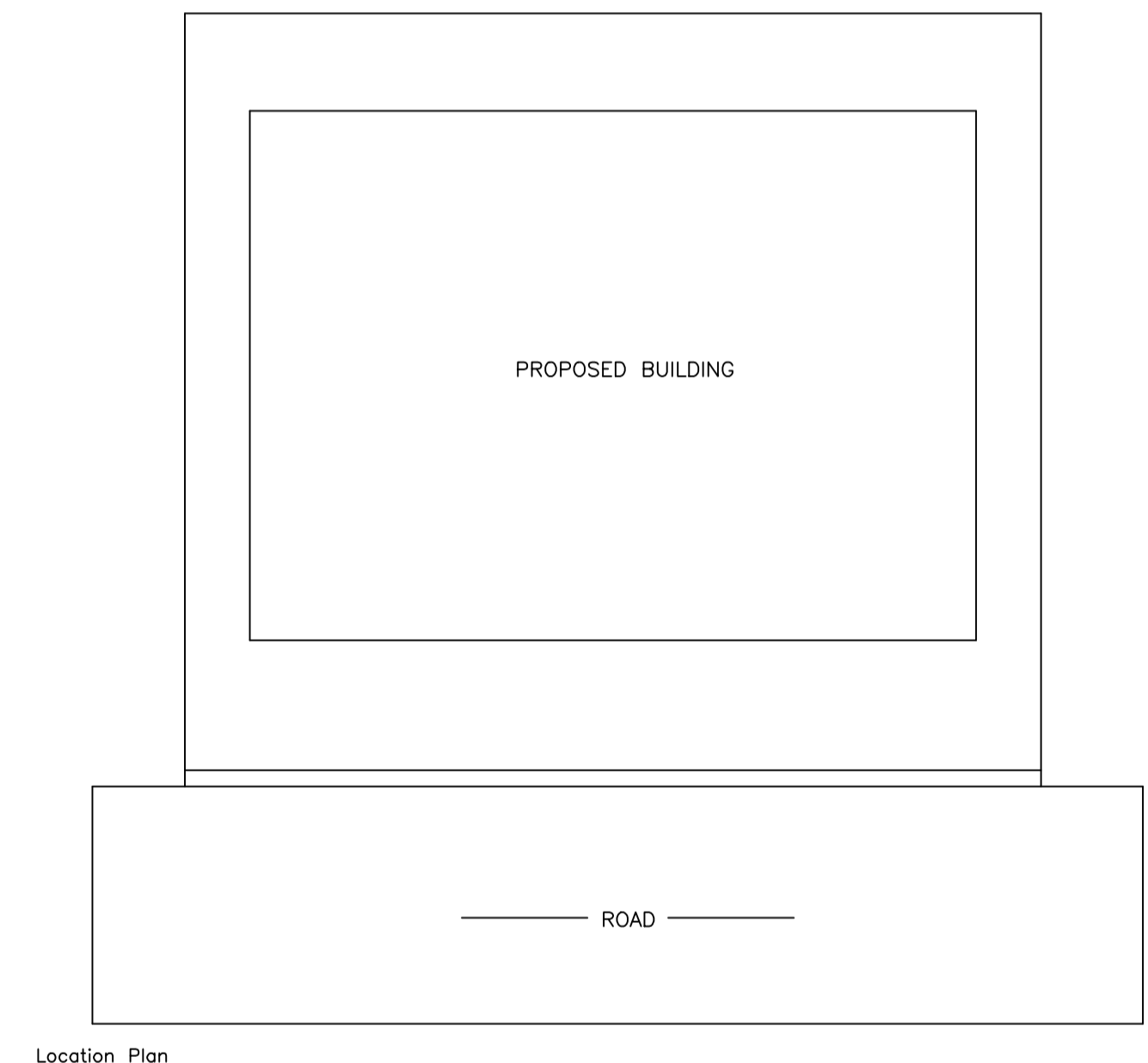
AREA STATEMENT GARHWA NAGAR PARISHAD	VERSION NO. : 1.0.66	VERSION DATE: 16/10/2020
PROJECT DETAIL:	Plot Use: Residential	
Region: JHARKHAND URBAN LOCAL BODIES	Plot SubUse: Bungalow/ Dwelling / Non Apartment	
District: GARHWA	PlotNearbyReligiousStructure: NA	
Authority: GARHWA NAGAR PARISHAD	PlotSubPlot No: 194	
Inward No: GNPC/BP/0033/W08/2023	North: Plot No. - 194	
Application Type: General Proposal	South: Plot No. - 194	
Project Type: Building Permission	East: Road Width - 3.65	
Nature of Development: New	West: Plot No. - 194	
Location of Development Area: Old Area		
AREA DETAILS:		SQ.MT.
AREA OF PLOT (Minimum)	(A)	156.59
Deduction for NetPlot Area		
Surrender Free of Cost		3.29
Total		3.29
NET AREA OF PLOT(Gross Plot Area - Deduction from Gross Plot area)	(A-Deductions)	153.30
Deduction for Balance Plot Area(from Gross Plot Area)		
Surrender Free of Cost		3.29
Common Plot		23.37
Total		26.67
BALANCE AREA OF PLOT(Net Plot Area - Recreational/Amenity space)	(A-Deductions)	129.92
PLOT AREA FOR COVERAGE(Net Plot Area)	(A-Deductions)	153.30
Plot Area for FAR (Net Plot Area + RoadWidening Area)	(A-Deductions)	156.59
COVERAGE CHECK		
Permissible Coverage area ( 70.00 % )		107.31
Proposed Coverage Area ( 59.31 % )		90.92
Total Prop. Coverage Area ( 59.31 % )		90.92
Balance coverage area ( 10.69 % )		16.39
FAR CHECK		
Perm. FAR Area ( 1.500 )		234.88
Total Perm. FAR area		234.88
Residential FAR		181.85
Proposed FAR Area		181.85
Total Proposed FAR Area		181.85
Consumed FAR (Factor)		1.16
Balance FAR Area		53.03
BUILT UP AREA CHECK		
Total Proposed BuiltUp Area		181.84
ARCHITECT (Regd)		KUMARI MEENAKSHI TIWARI
ENGINEER (Regd)		
SUPERVISOR (Regd)		
OWNER (Regd)		SHRI SATYENDRA KUMAR PASWAN
DEVELOPMENT AUTHORITY		LOCAL BODY



FRONT ELEVATION



SIDE ELEVATION



Location Plan

COLOR INDEX

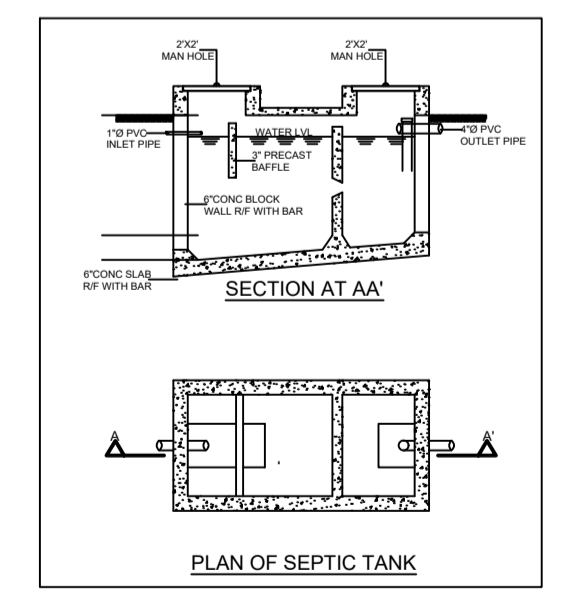
PLOT BOUNDARY	Black
ABUTTING ROAD	Green
PROPOSED CONSTRUCTION	Red
COMMON PLOT	Yellow
ROAD WIDENING AREA	Blue
EXISTING (To be retained)	Blue
EXISTING (To be demolished)	Yellow

Buildingwise Floor FAR Details

Floor Name	Building Name A(BUILDING)		Total	
	Proposed Built Up Area (Sq.mt.)	Proposed FAR Area (Sq.mt.)	Total Proposed Built Up Area (Sq.mt.)	Total FAR Area (Sq.mt.)
Ground Floor	90.92	90.92	90.92	90.92
First Floor	90.92	90.92	90.92	90.92
Terrace Floor	0.00	0.00	0.00	0.00
Total :	181.84	181.84	181.84	181.84

Building USE/SUBUSE Details

Building Name	Building Use	Building SubUse	Building Structure
A(BUILDING)	Residential	Bungalow/ Dwelling / Non Apartment	Non-Highrise



PLAN OF SEPTIC TANK

LTP NAME AND SIGNATURE	STRUCTURAL ENG'S NAME AND SIGNATURE	BUILDER NAME AND SIGNATURE	DIGITAL SIGNATURE
KUMARI MEENAKSHI TIWARI GNPC/ENG/0006/2019			