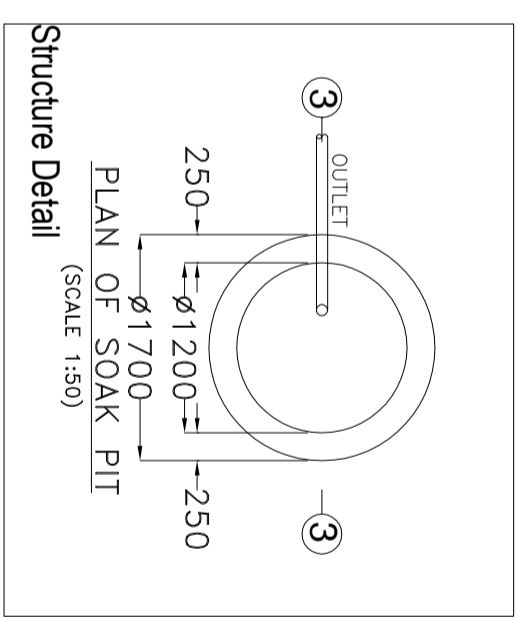
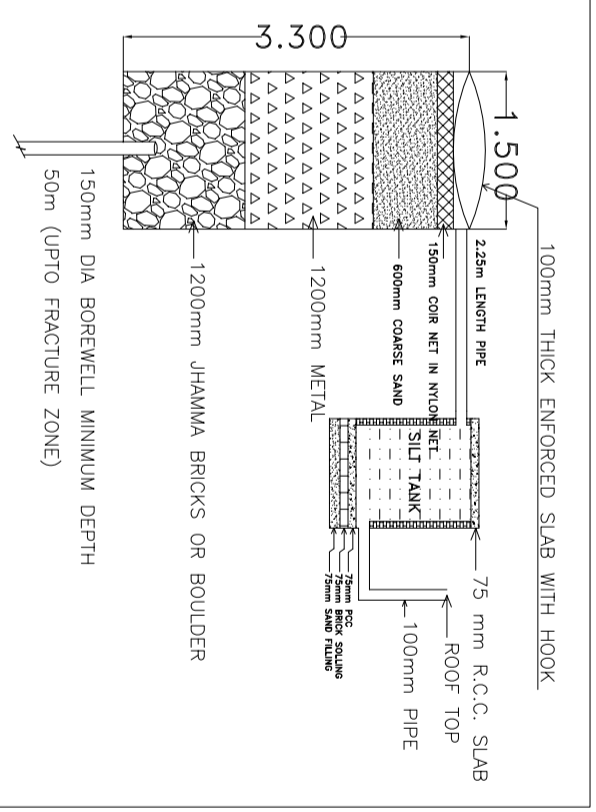


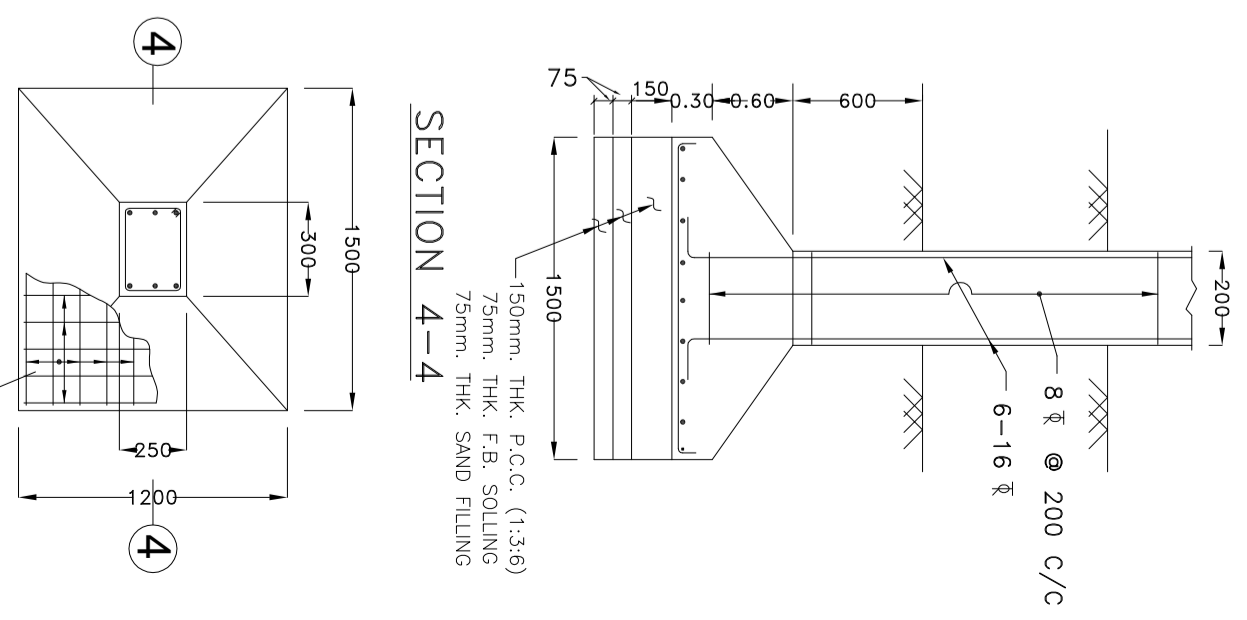
Septic Tank Detail



Structure Detail



Rain Water Storage Tank Detail



FOUNDATION PLAN OF COLUMN

Structure Detail