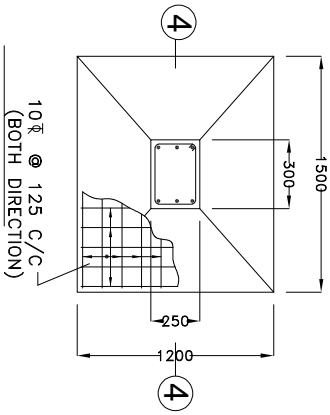


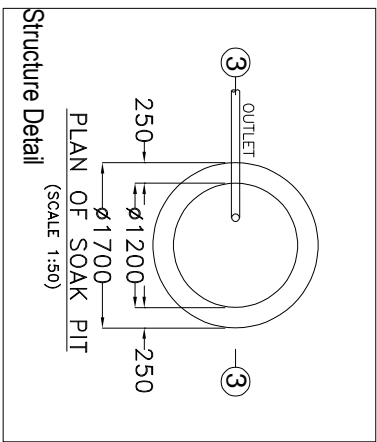
SECTION 4-4

150mm. THK. P.C.C. (1:3:6)  
75mm. THK. F.B. SULLING  
75mm. THK. SAND FILLING



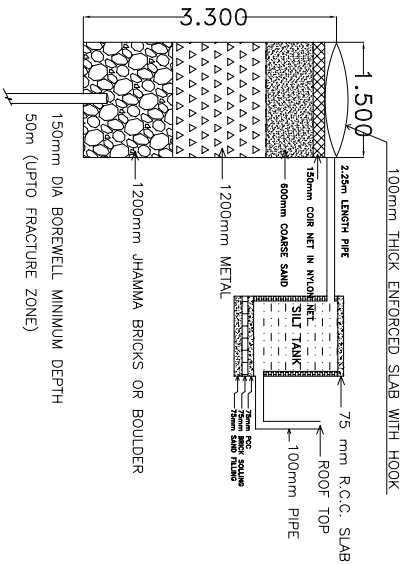
FOUNDATION PLAN OF COLUMN

Structure Detail



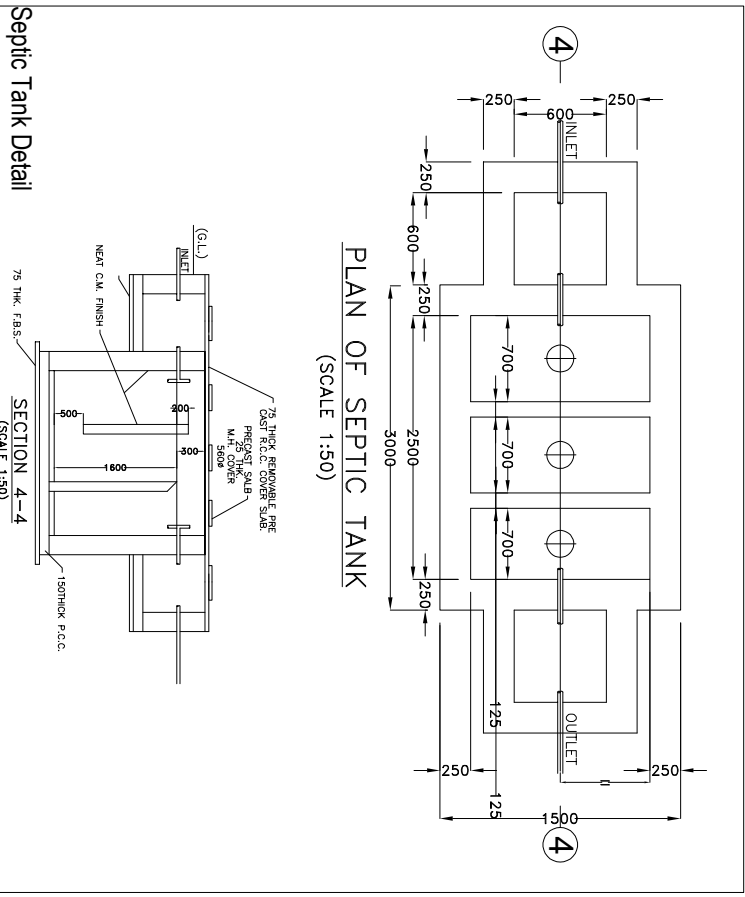
Structure Detail

PLAN OF SOAK PIT (SCALE 1:50)



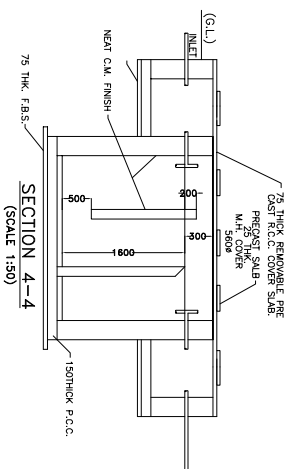
Rain Water Storage Tank Detail

RECHARGE BOREWELL

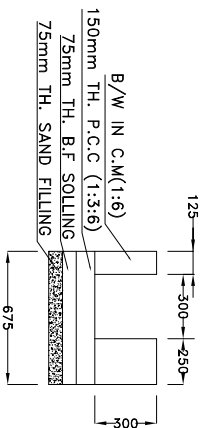


PLAN OF SEPTIC TANK (SCALE 1:50)

Septic Tank Detail



SECTION 4-4 (SCALE 1:50)



SECTION OF DRAIN (SLOPE OF DRAIN=1:200)