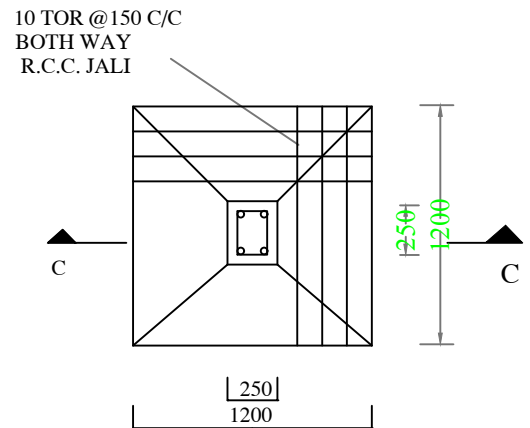
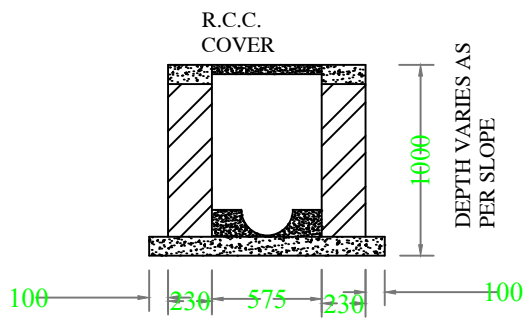


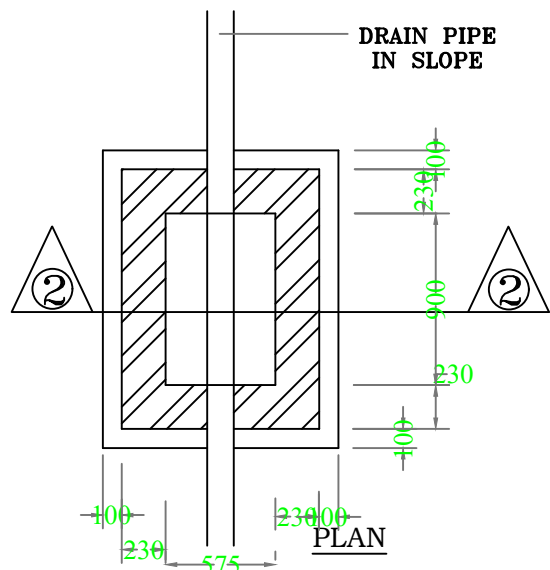
SECTION - CC



**PLAN
DETAIL OF FOUNDATION**



SECTION AT 2-2



I.C. DETAILS