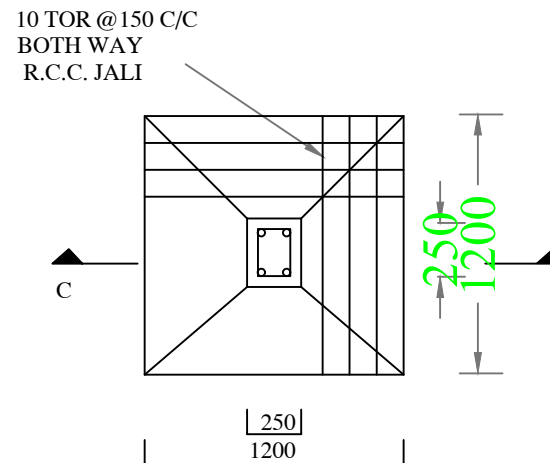
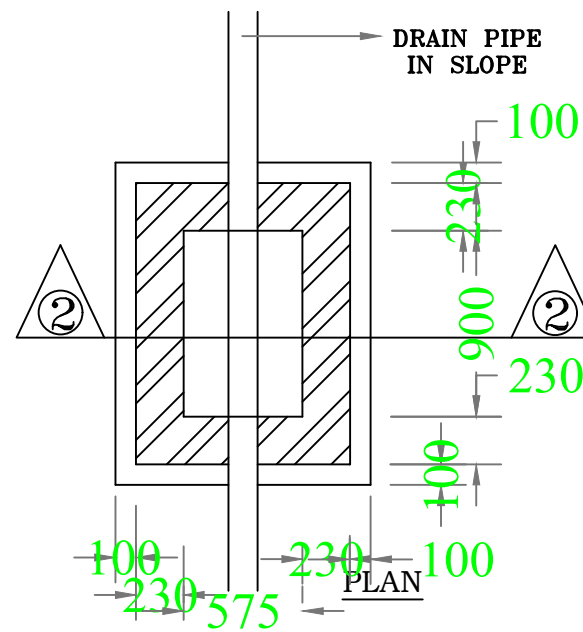
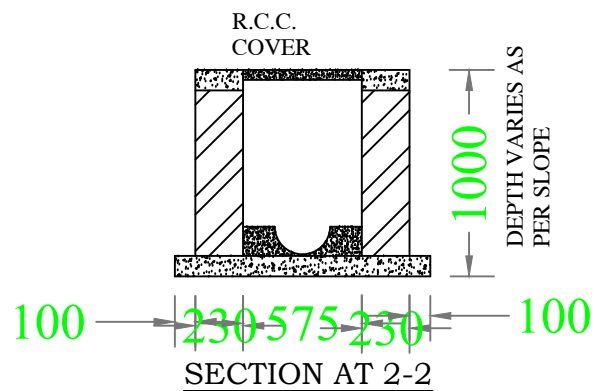


**SECTION -CC**



**PLAN  
DETAIL OF FOUNDATION**



Structure Detail