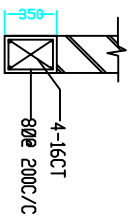


AT SUPPORT

AT MID SPAN

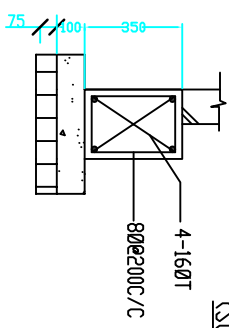
DET. OF R.C.C. BEAM
(SCALE-1:25)

DET. OF R.C.C. TIE BEAM
(SCALE-1:25)

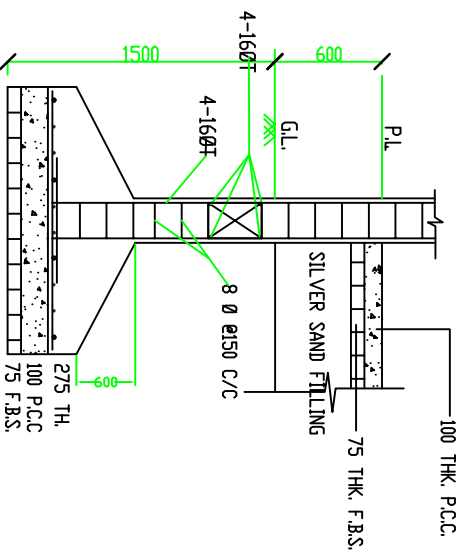
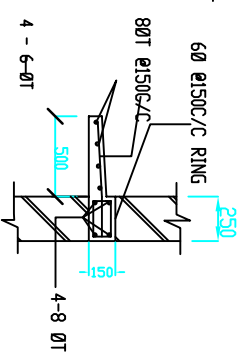


DET. OF R.C.C. TIE BEAM
FOR 250 THK. WALL
(SCALE-1:25)

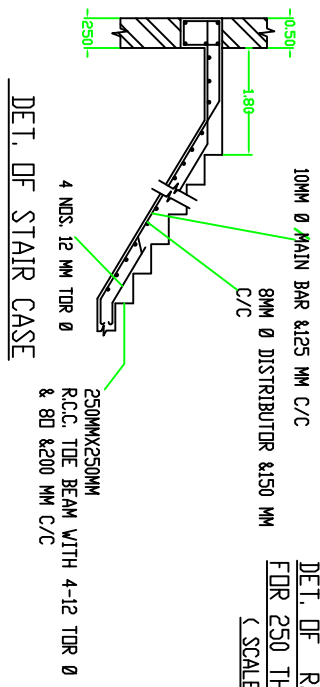
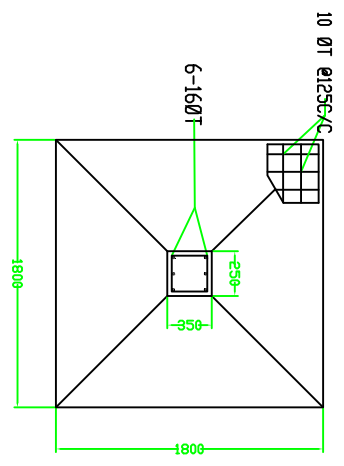
DET. OF R.C.C. TIE BEAM FOR
125 THK WALLS
(SCALE-1:25)



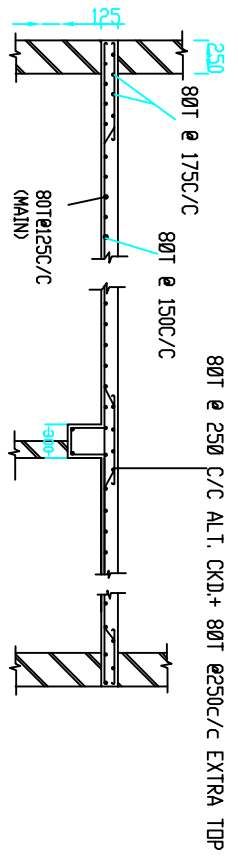
DET. OF R.C.C. LINTEL AND CHAJJA
(SCALE-1:25)



DET. OF R.C.C. COLUMN
(SCALE-1:50)



DET. OF STAIR CASE



TYPICAL DET. OF R.C.C. SLAB
(SCALE-1:50)