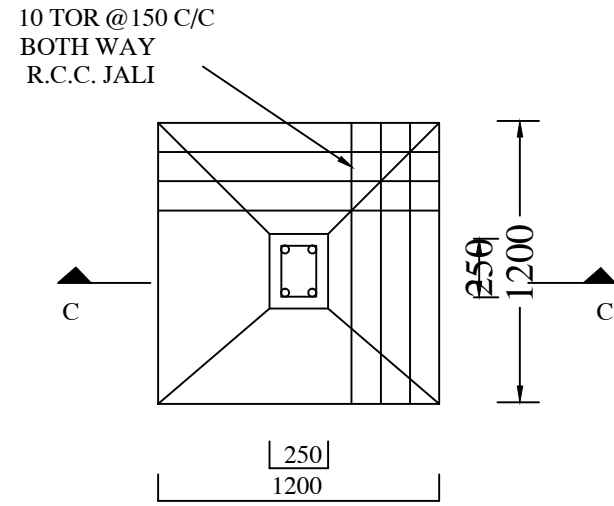
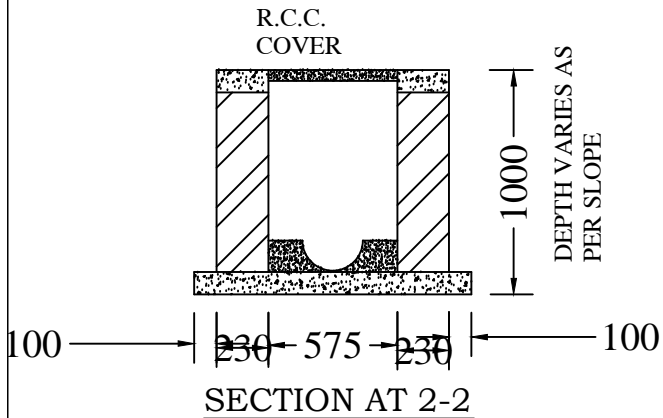


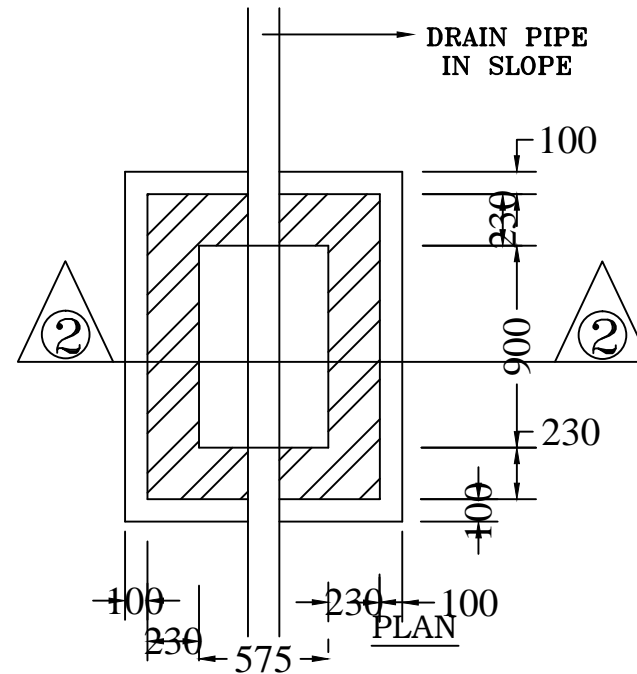
SECTION -CC



PLAN
DETAIL OF FOUNDATION



SECTION AT 2-2



I.C. DETAILS

STRUCTURE DETAIL