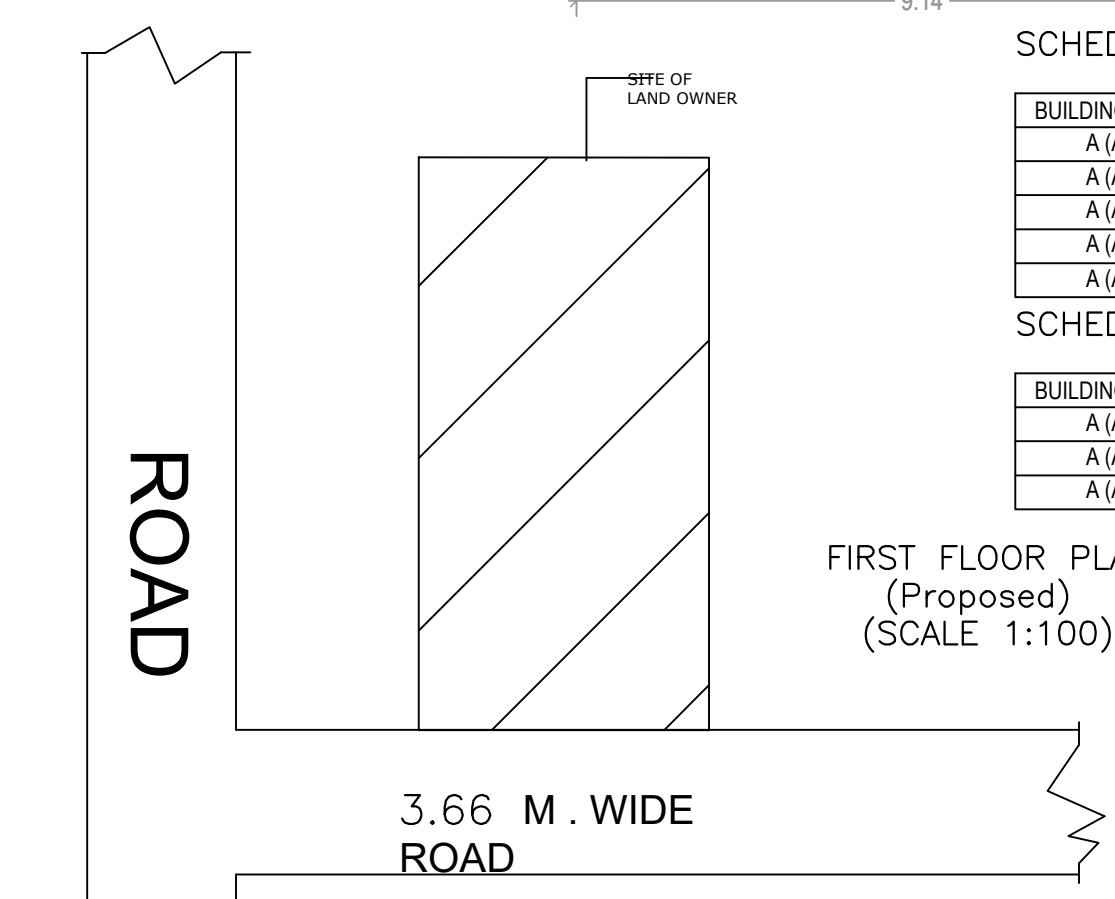
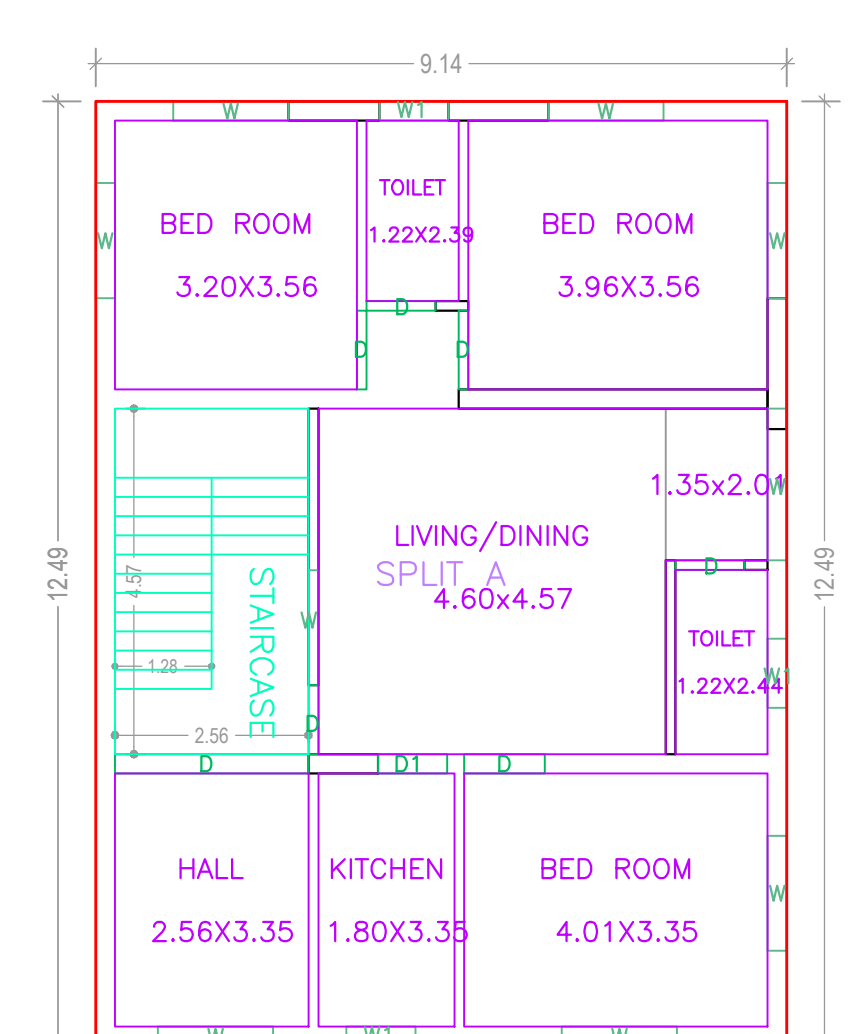
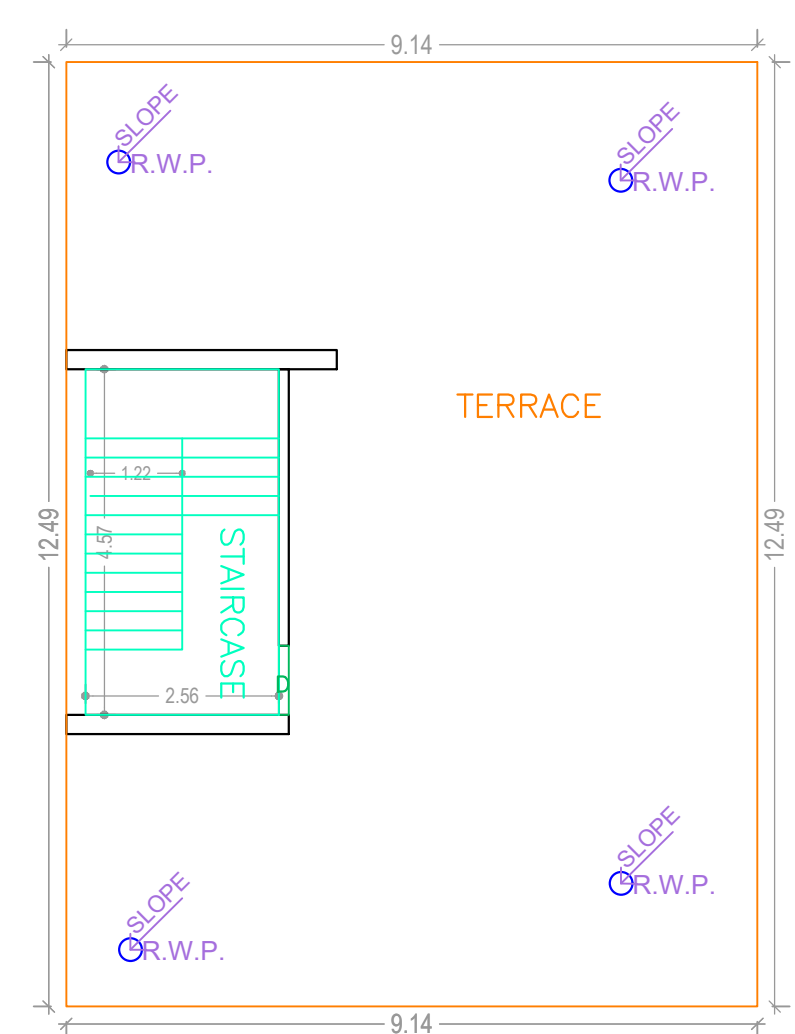
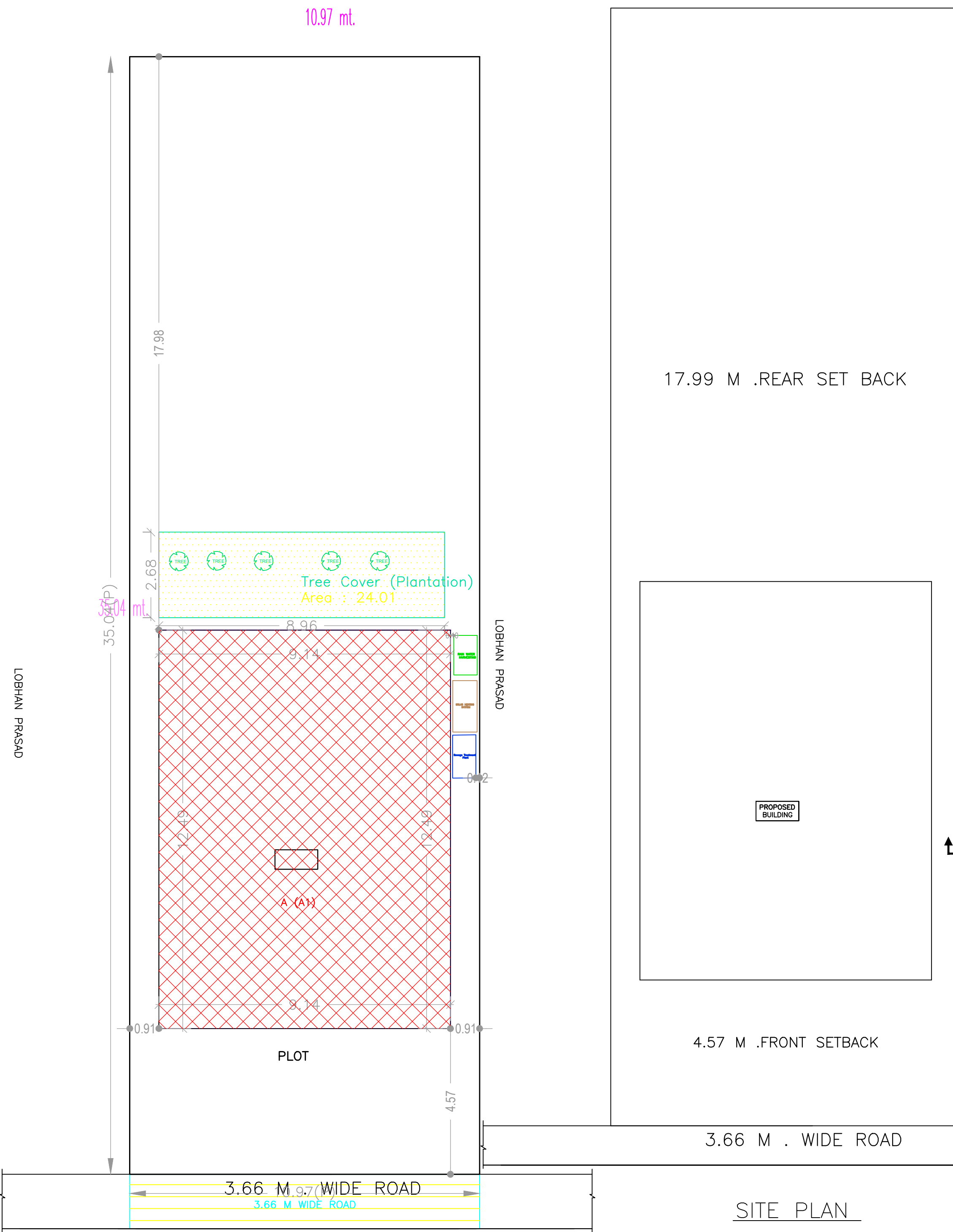


Proposal Basic Information

Proposal File No.	LNPC/BP/0023/W02/2020
Owner Name	TELESHPHORE KUJUR
Khata No	18
Plot No	68
Village Name	Rajhar
Use	Residential
SubUse	Bungalow/ Dwelling / Non Apartment

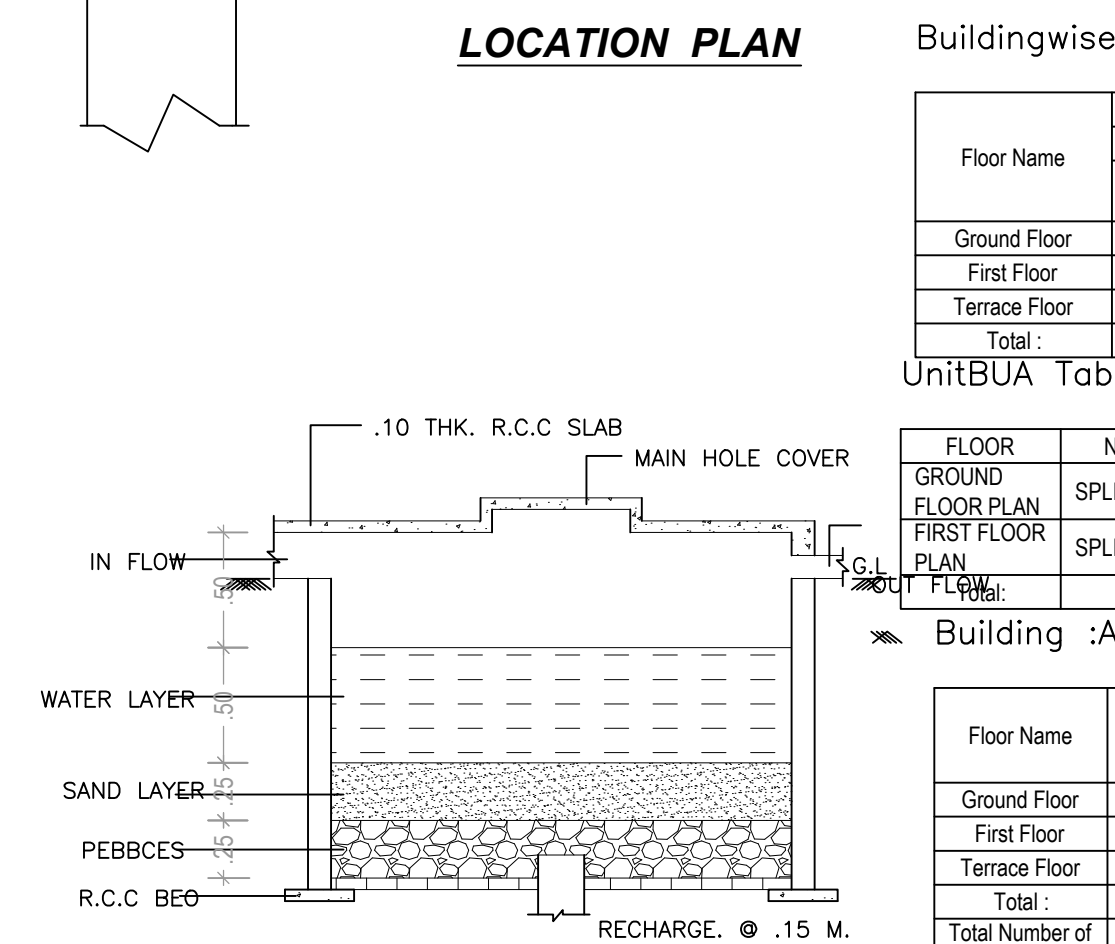
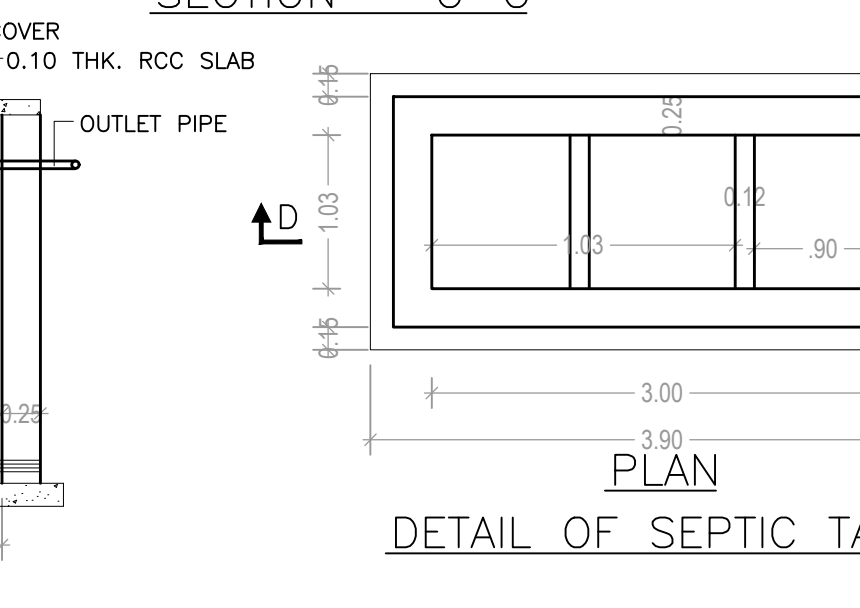
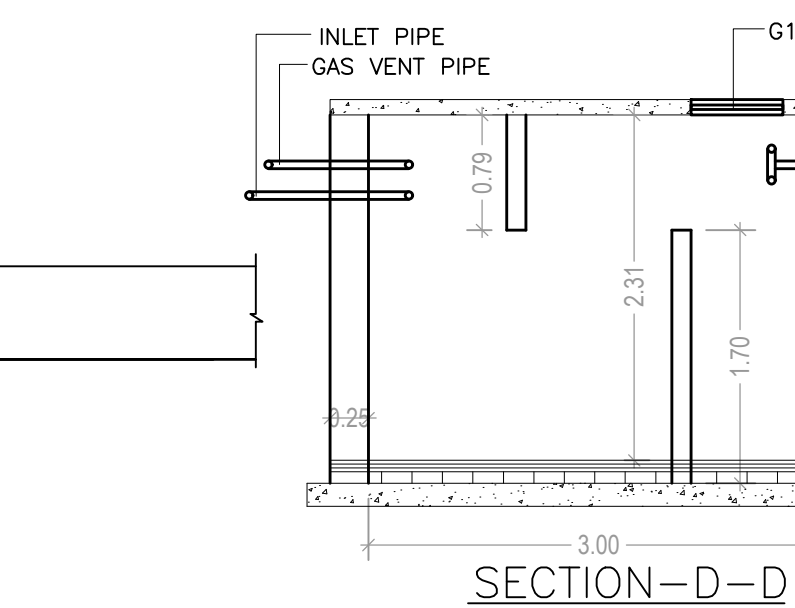
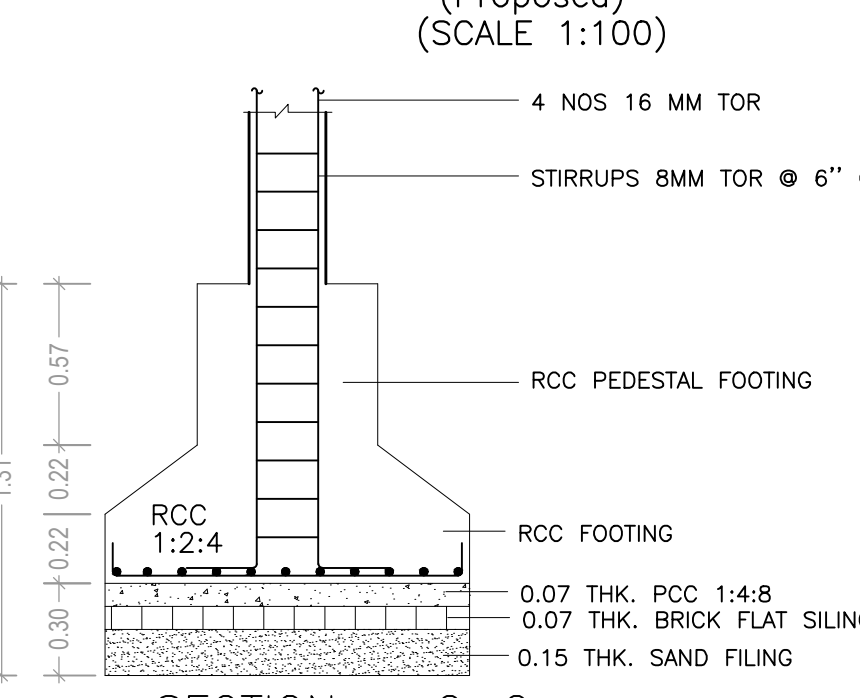
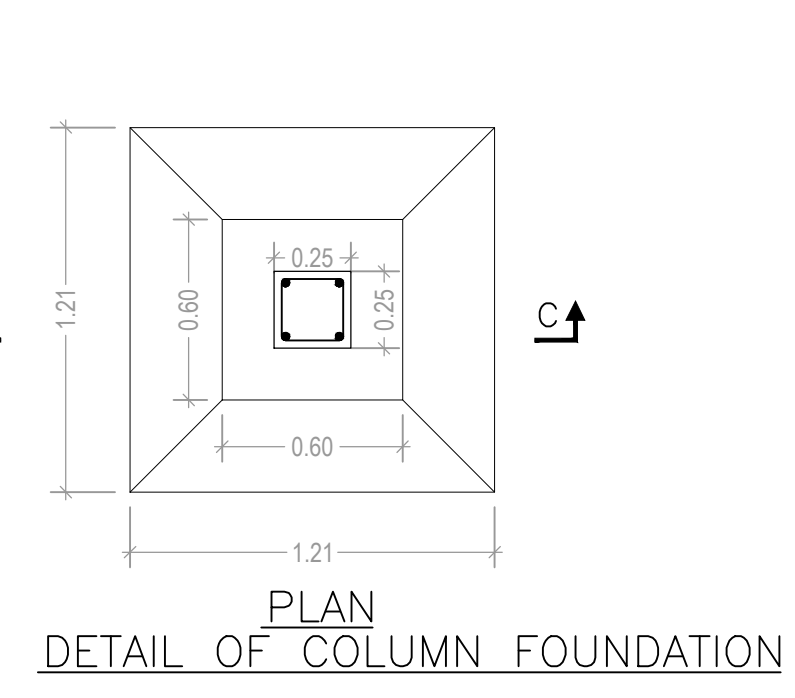
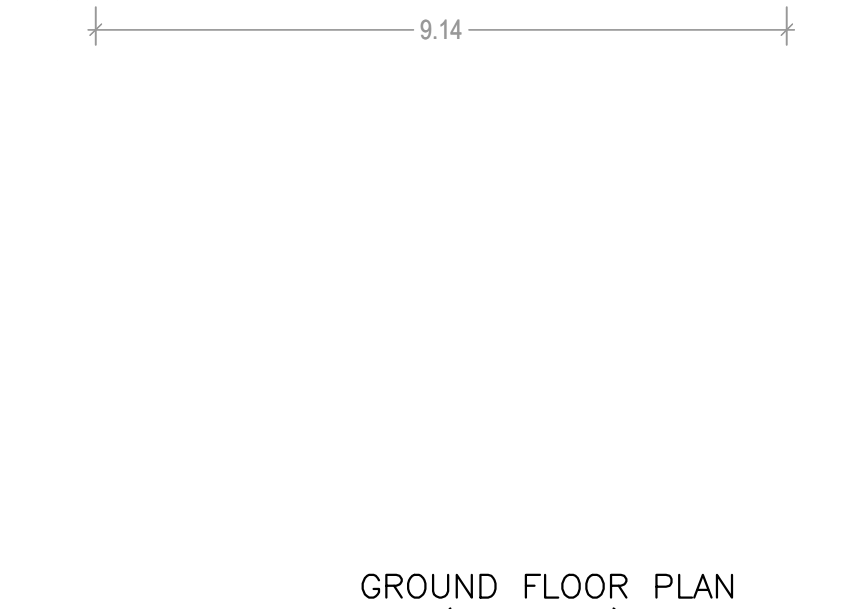
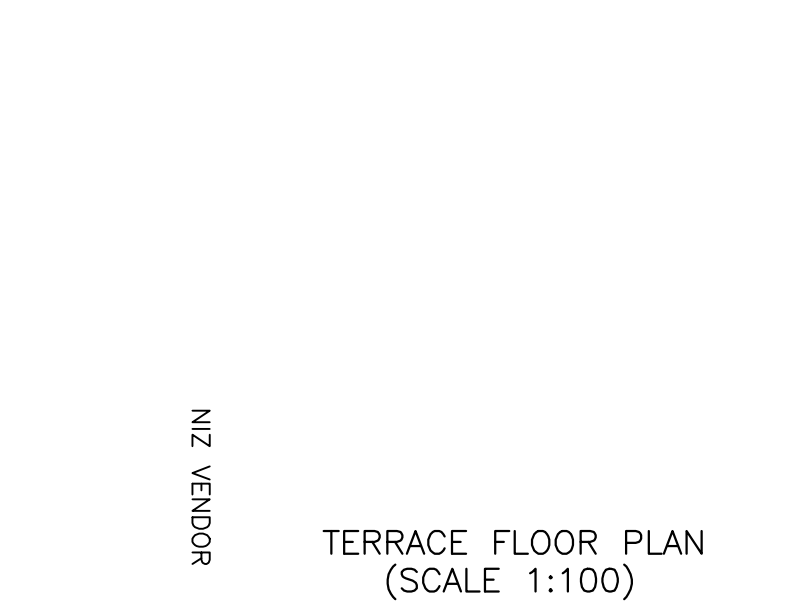


SCHEDULE OF DOOR:

BUILDING NAME	NAME	LENGTH	HEIGHT	NOS
A (A1)	D1	0.91	2.10	02
A (A1)	D	0.91	2.10	06
A (A1)	D	1.04	2.10	04
A (A1)	D	1.07	2.10	02
A (A1)	D	2.56	2.10	02

SCHEDULE OF WINDOW/VENTILATION:

BUILDING NAME	NAME	LENGTH	HEIGHT	NOS
A (A1)	W1	0.91	1.20	06
A (A1)	W	1.52	1.20	16
A (A1)	W	2.01	1.20	02



Buildingwise Floor FAR Details

Floor Name	Building Name		Total	
	Proposed Built Up Area (Sq.mt.)	Proposed FAR Area (Sq.mt.)	Total Proposed Built Up Area (Sq.mt.)	Total FAR Area (Sq.mt.)
Ground Floor	114.21	114.21	114.21	114.21
First Floor	114.21	114.21	114.21	114.21
Terrace Floor	0.00	0.00	0.00	0.00
Total :	228.42	228.42	228.42	228.42

UnitBUA Table for Building :A (A1)

FLOOR	Name	UnitBUA Type	UnitBUA Area	Carpet Area	No. of Rooms	No. of Tenement
GROUND FLOOR	SPLIT A	FLAT	179.62	176.71	8	1
FIRST FLOOR	SPLIT A	FLAT	0.00	0.00	8	0
Terrace Floor			179.62	176.71	16	1

Building :A (A1)

Floor Name	Total Built Up Area (Sq.mt.)	Proposed FAR Area (Sq.mt.) Resi.	Total FAR Area (Sq.mt.)	Total Consumed Additional FAR Area (Sq.mt.)	Tnmt (No.)
Ground Floor	114.21	114.21	114.21	114.21	01
First Floor	114.21	114.21	114.21	114.21	00
Terrace Floor	0.00	0.00	0.00	0.00	00
Total :	228.42	228.42	228.42	228.42	01

FAR & Tenement Details (Table 4c-1)

Building	No. of Same Bldg	Total Built Up Area (Sq.mt.)	Proposed FAR Area (Sq.mt.) Resi.	Total FAR Area (Sq.mt.)	Total Consumed Additional FAR Area (Sq.mt.)	Tnmt (No.)
A (A1)	1	228.42	228.42	228.42	228.42	01
Grand Total :	1	228.42	228.42	228.42	228.42	01

Building USE/SUBUSE Details

Building Name	Building Use	Building SubUse	Building Structure
A (A1)	Residential	Bungalow/ Dwelling / Non Apartment	Non-Highrise

LTP NAME AND SIGNATURE	STRUCTURAL ENG'S NAME AND SIGNATURE	BUILDER NAME AND SIGNATURE	DIGITAL SIGNATURE
law chaturvedi LNPC/ENG/0004/2018			