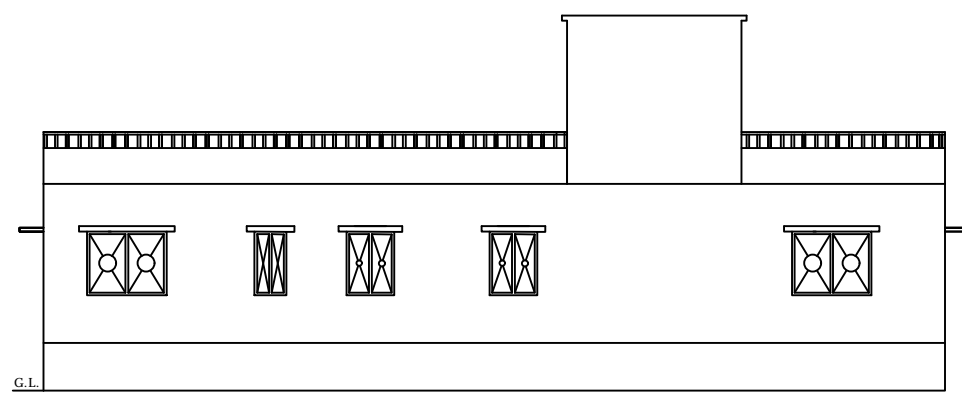
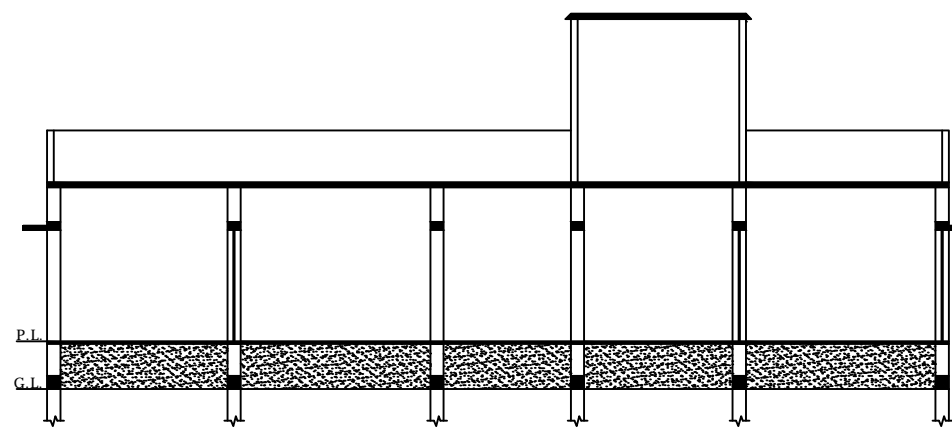


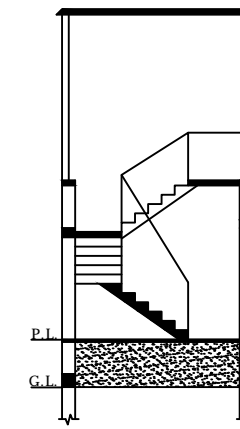
FRONT ELEVATION



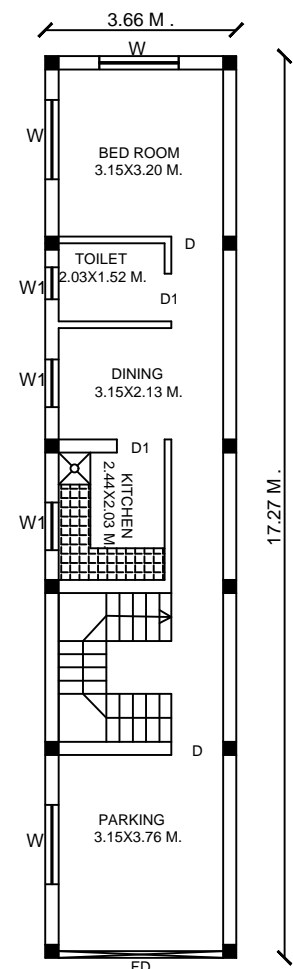
SOUTH SIDE ELEVATION



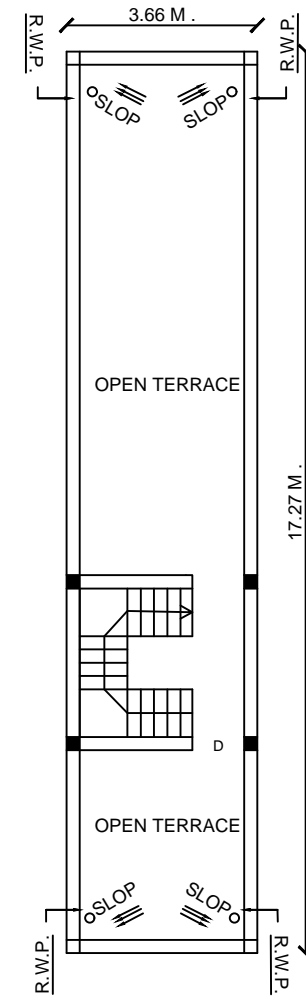
SECTION-YY



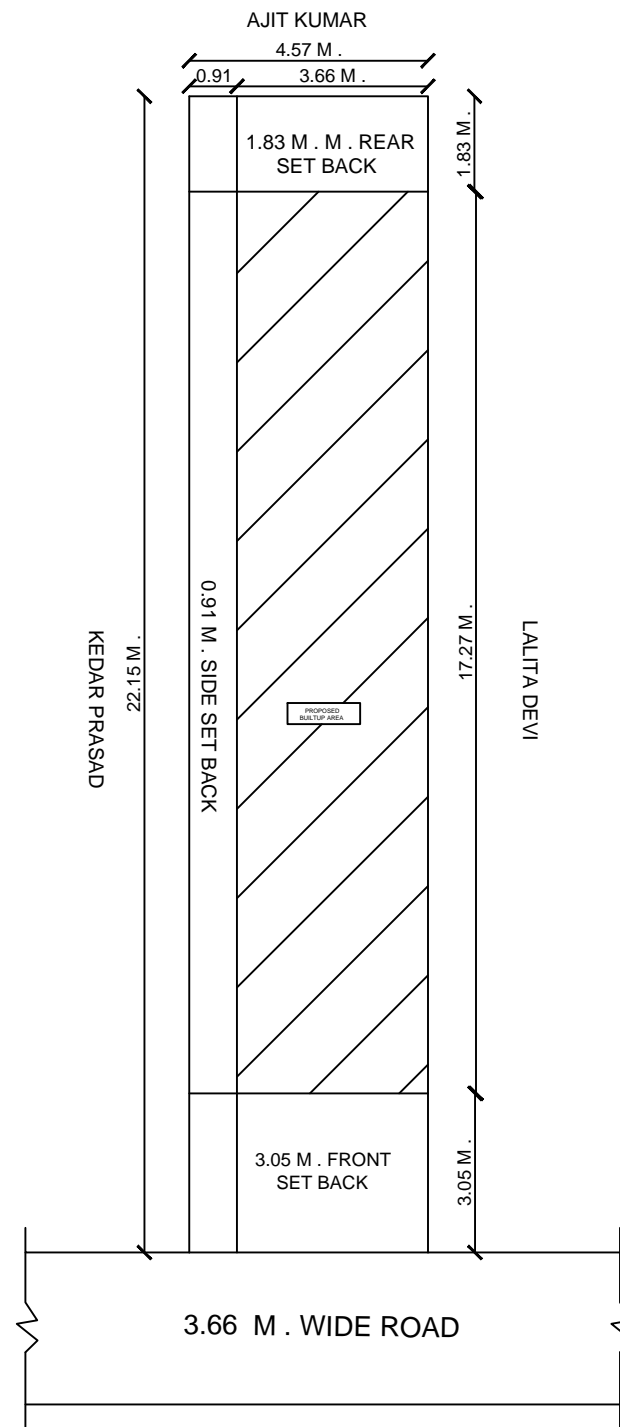
SECTION-YY



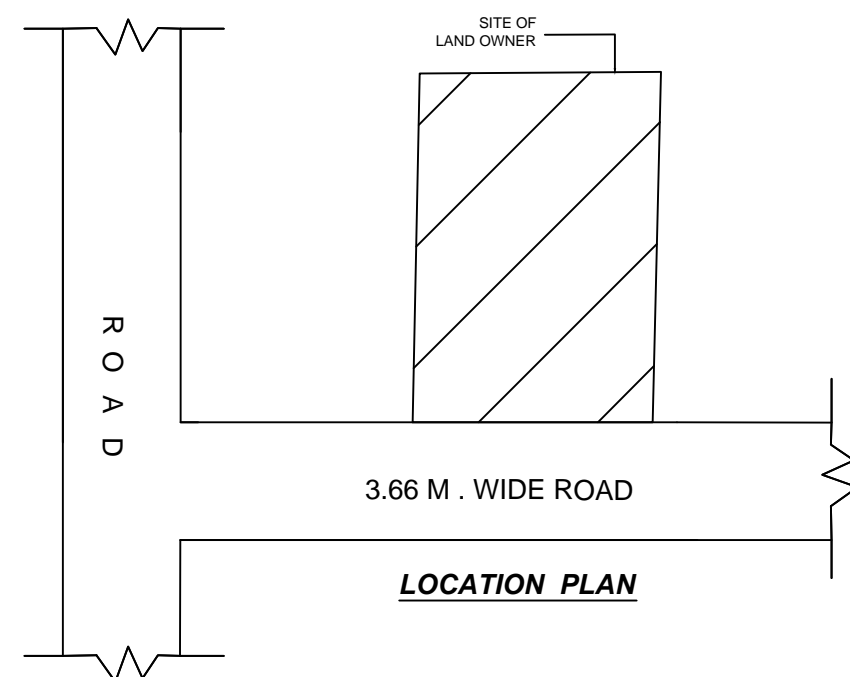
PROPOSED GROUND FLOOR PLAN



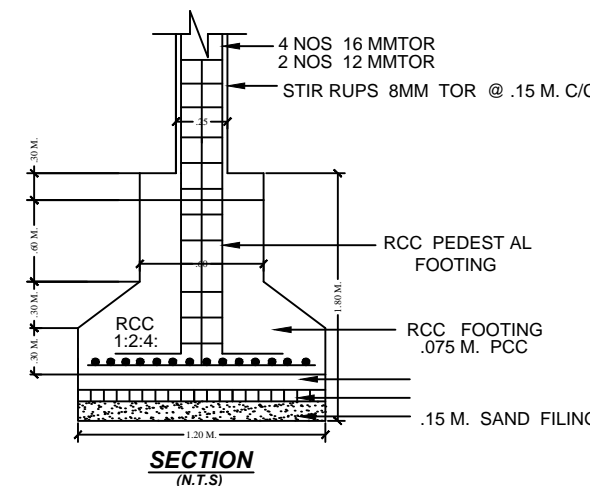
TERRACE FLOOR PLAN



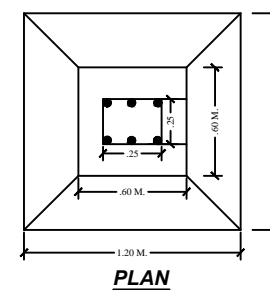
SITE PLAN



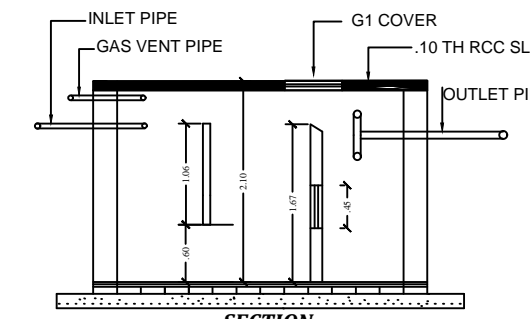
LOCATION PLAN



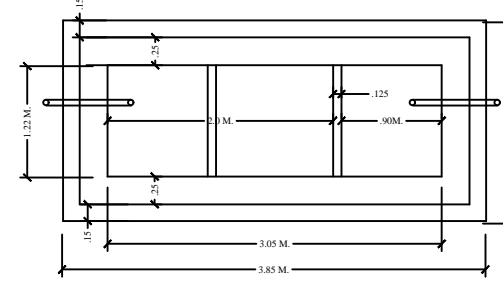
SECTION (N.T.S.)



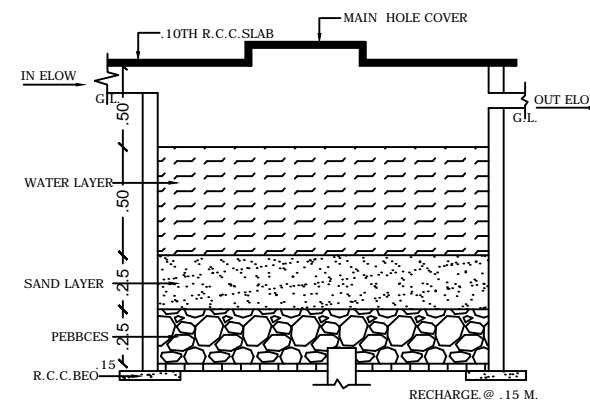
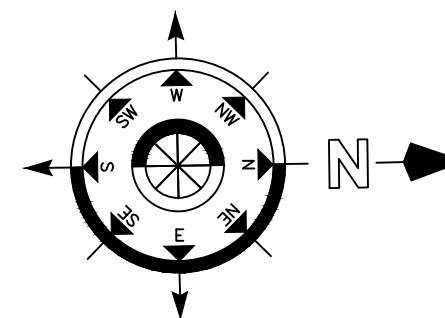
PLAN (N.T.S.)



SECTION (N.T.S.)



PLAN (N.T.S.)
DETAIL OF SEPTIC TANK



DETAIL OF RAIN WATER HARVESTING AND RECHARGE PIT (N.T.S.)

SCHEDULE OF DS & WS

TYPE	SIZE	REMARKS
D	1.06 M.X2.10 M.	F paneled
D1	0.06 M.X2.10 M.	F paneled
D2	0.75 M.X2.10 M.	F paneled
W	1.50 M.X1.20 M.	F glazed
W1	1.20 M.X1.20 M.	F glazed
W2	0.91 M.X1.20 M.	F glazed
C.GATE	2.10 M.X2.10 M.	IRON

SPECIFICATION

1. DETAIL OF R.C.C. FOOTING COLUMN FON (M.25)
2. 1ST CLASS BRICK WORK IN CEMENT PLASTER (1:6)
3. 1.25X.15TH. R.C.C. LINTEL BAND OVER DOOR'S & WINDOW'S
4. 10TH. LIME CON. TERR.OVER .10TH. R.C.C. ROOF SLAB(M.25)
5. SAL WOOD FRAME & SUAM WOOD SHUTTER.
6. 0.012TH. IN CEMENT PLASTER IN BOTH SIDE WACC (1:6)
7. MARBLE OR MOSAIC FLOORING OVER .110TH. DRY RAMMED KHOA OVER B.F. SOILING , OVER LOCAL SAND FILLING .
8. 2 CUAT OF WHITE & COLOUR WASH AS PER CHOICE.
9. 17CM.WIDE & 30 CM. PUCCA DRAIN AROUND THE BUILDING .

TOTAL PLOT AREA	=	101.22	SQM.
NET PLOT AREA	=	101.22	SQM.
TOTAL OPEN LAND AREA	=	38.02	SQM.
GROUND FLOOR B/A	=	63.20	SQM.
TOTAL B/A	=	63.20	SQM.
F.A.R.	=	0.62	
% OF COVERED AREA	=	62 %	
BUILDING HEIGHT	=	3.96 M.	

PROPOSED RESIDENTIAL BUILDING OF
 NAME- SRI AKHANCHA GUPTA
 W/O. - SRI VIVEKANAND GUPTA
 MAUZA- RAJHAR
 P.S. - LATEHAR
 P.S. NO.- 186
 WARD NO.- 02
 KHATA NO.- 31
 PLOT NO.- 83
 H.NO.- 0020000942000A1
 TOUZI NO.- 51
 DIST. - LATEHAR (JHARKHAND)

MAP APPROVED BY

SIGNATURE OF APPLICANT

SIGNATURE OF ENGINEER