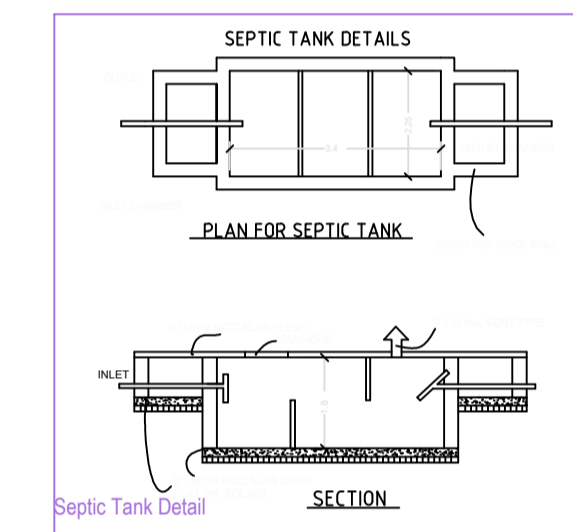
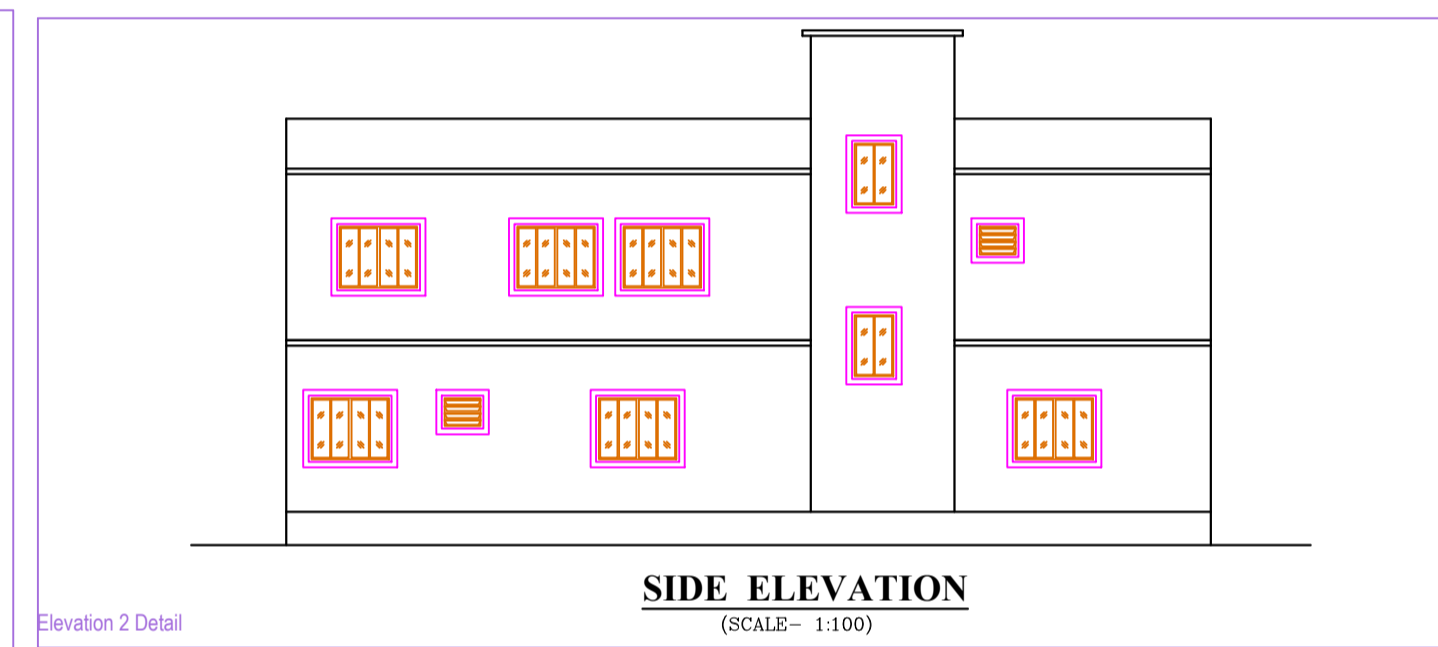
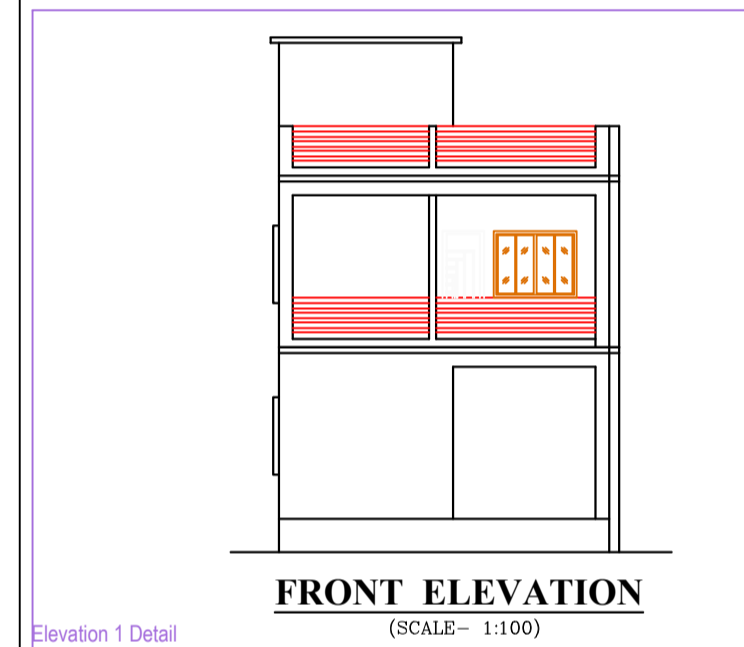
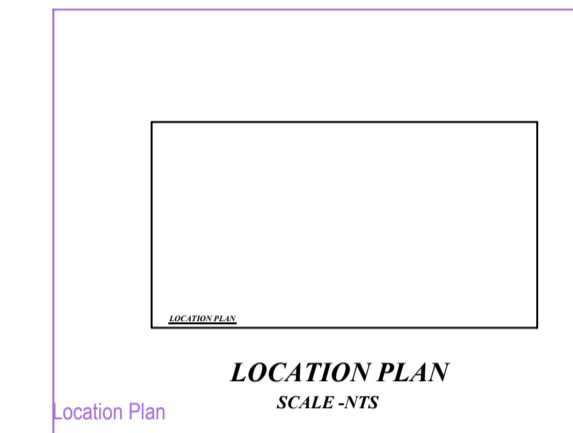
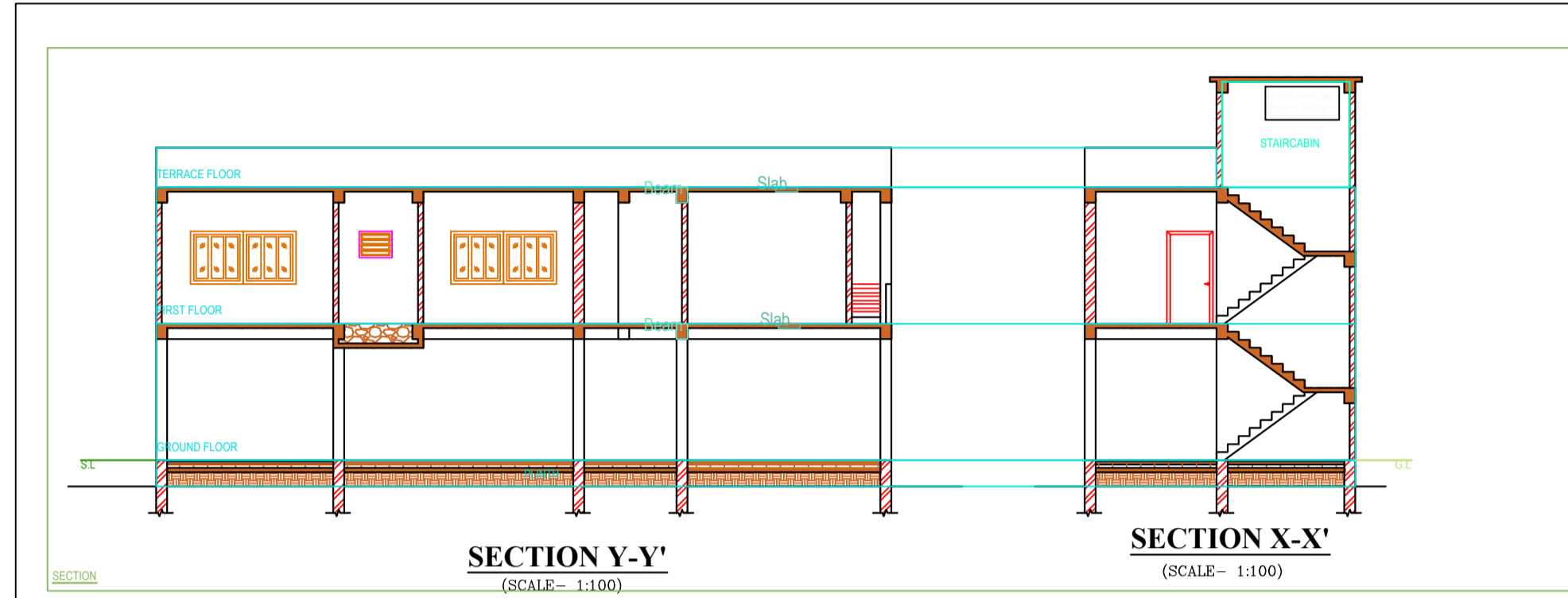
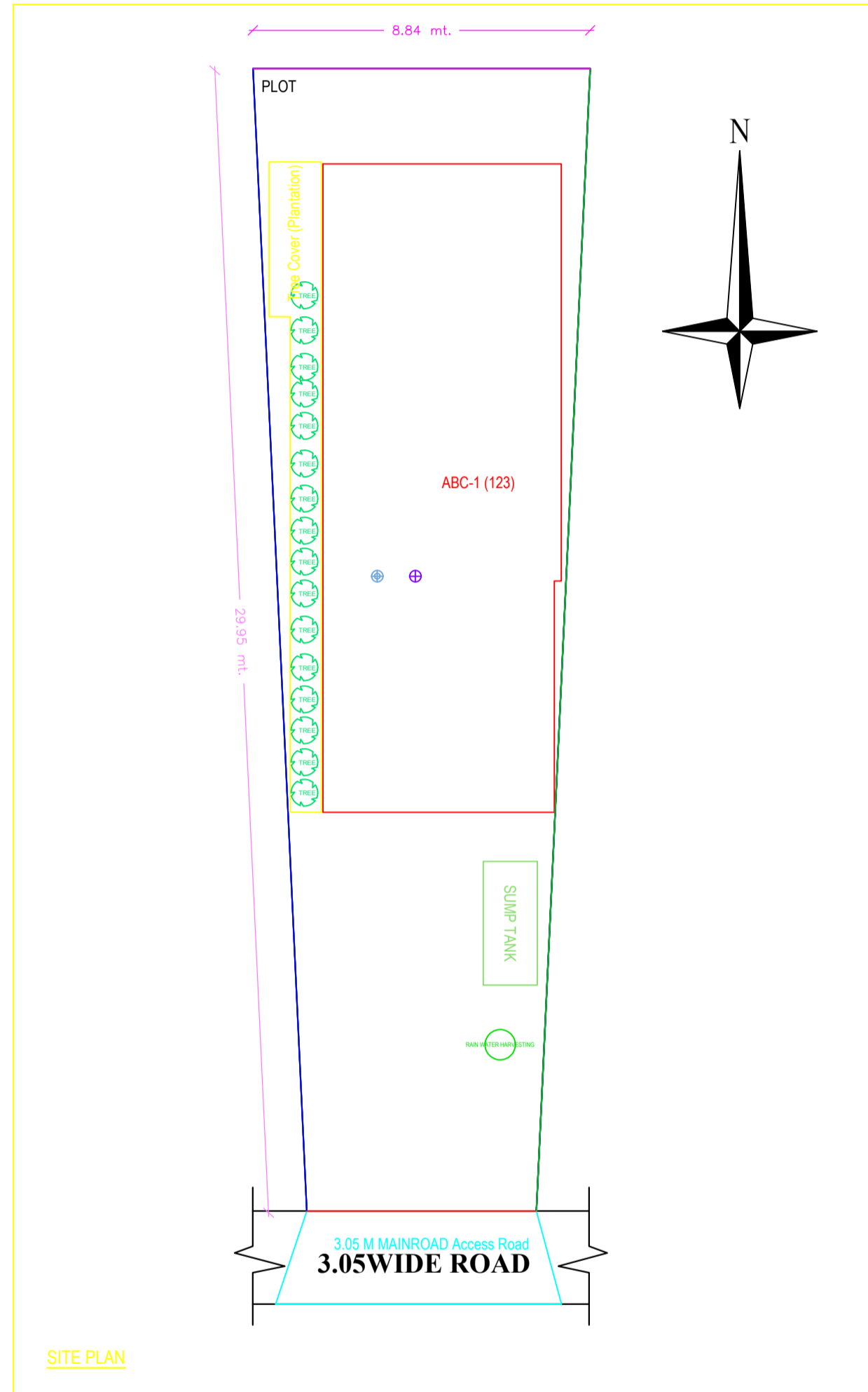


Project Title :MR.FAIZAN SARVAR



NOTE :- ALL DIMENTION IN METER
SPECIFICATION

- FOUNDATION : SHOWN AS PER FOUNDATION DETAILS.
- FLOOR : 0.25THK. FLOOR FINISH OVER 0.075THK. P. C. C.
- D.P.C. : 0.25THK. D.P.C. AT PLINTH LEVEL IN C.M. MORTAR.
- LINTAL : 0.15 THK. R. C. C. LINTAL IN C. M. 1:2:4
- ROOF : 0.10 THK. R. C. C. ROOF SLAB IN C.M. 1:2:4
- SUPER STRUCTURE : 0.25 THK. OF 0.25 THK. 1st CLASS BRICK WORK IN C.M. MORTAR 1:6.
- PLASTER : 0.125mm THK. CEMENT INTERNAL & EXTERNAL.
- WOOD WORK : SAL WOOD CHAUKAT & VIDA WOOD SHUTTER.
- SEPTIC TANK : SEPTIC TANK WILL BE FLUSHING SYSTEM.
- REINFORCEMENT : ALL REINFORCEMENT SHALL BE OF TOR STEEL OF GRADE: F.Y-415.
- FINISHING : 2 COATS OF WHITE WASHUSOCOM WASH.

SCHEDULE OF OPENING

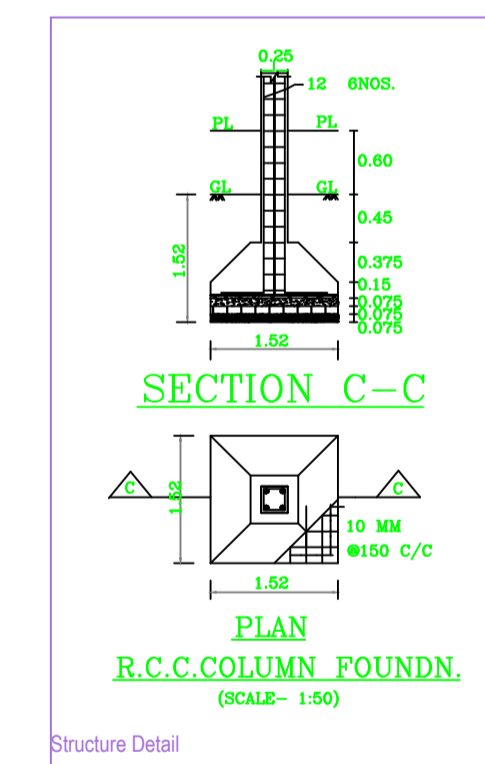
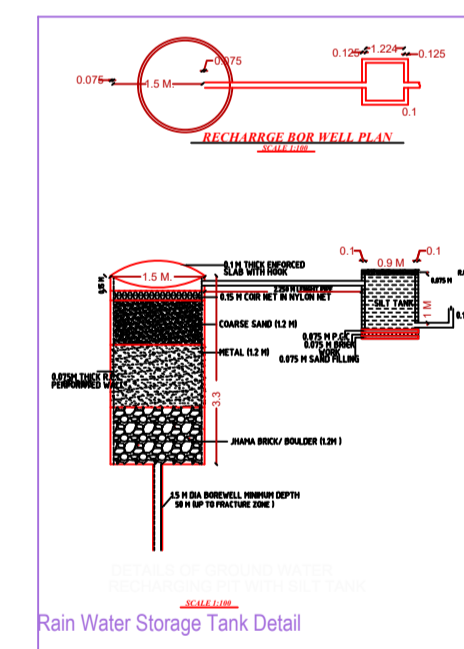
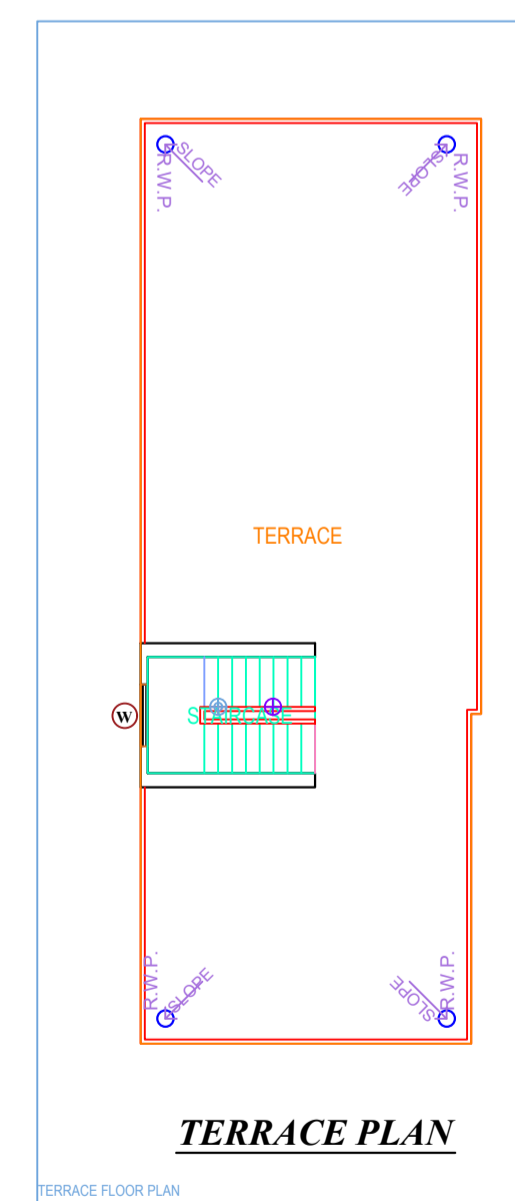
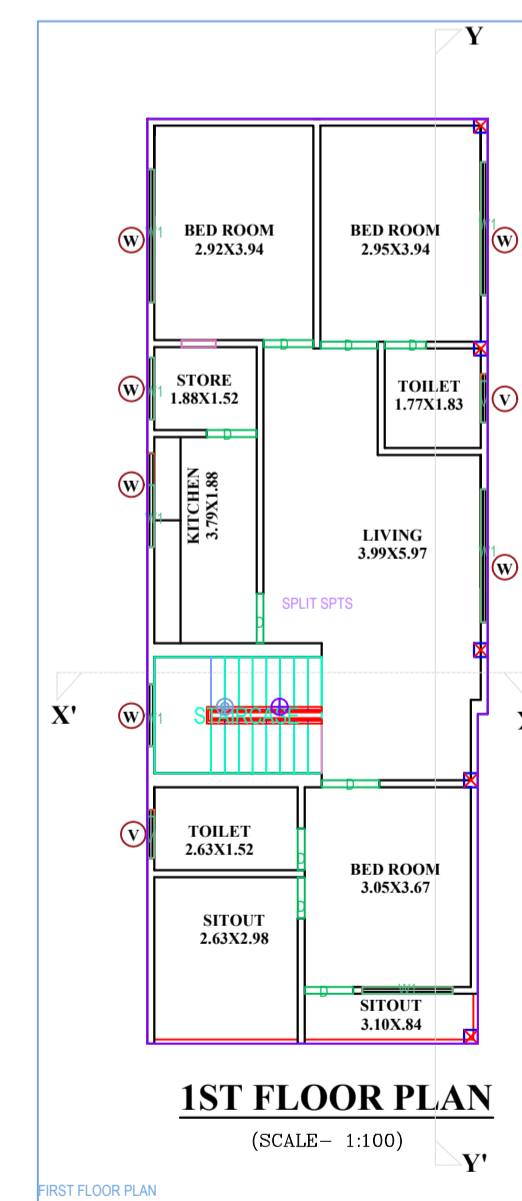
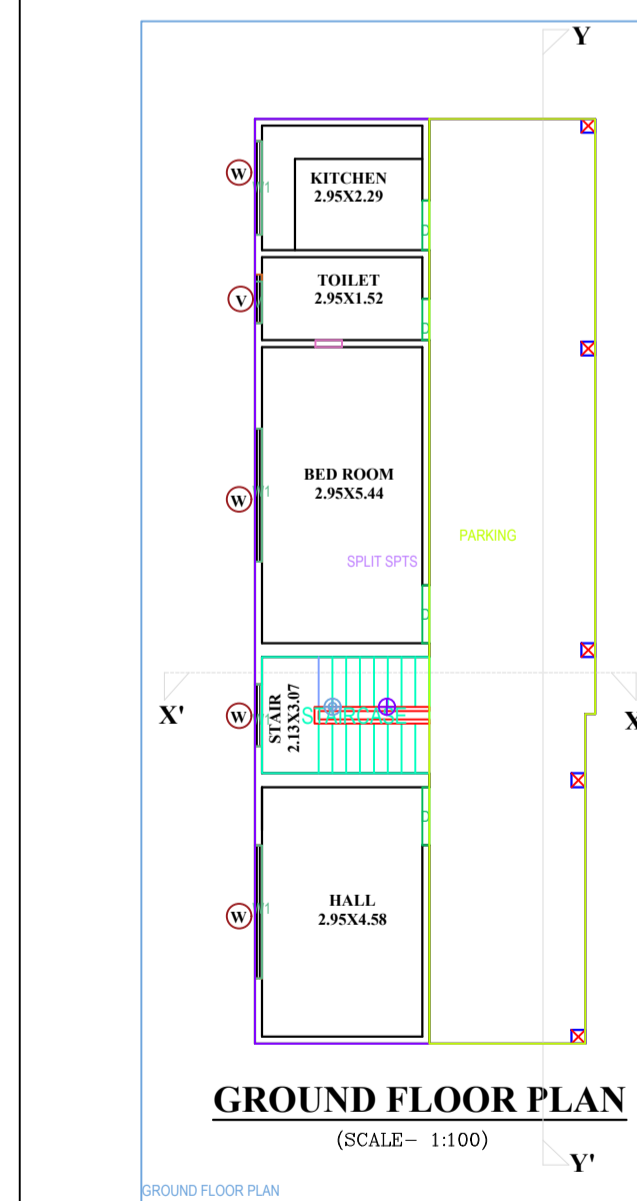
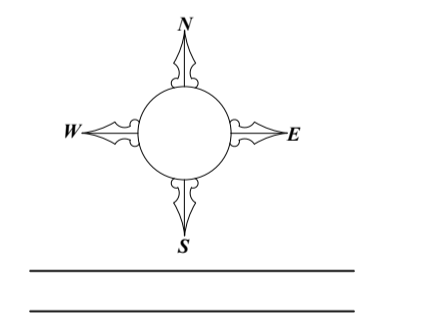
ITEM	TYPE	WIDTH	HEIGHT	SILL LVL.	DESCRIPTION		
1.	DOORS	D1	1.22	2.13	NILL	DOUBLE SHUTTER	
		D	1.07	2.13	NILL	SINGLE SHUTTER	
	2.	SHUTTER	D2	0.91	2.13	NILL	"
			S	2.44	2.13	NILL	SINGLE SHUTTER
3.	WINDOWS	W	1.21	1.21	0.91	TOP GLAZED WINDOW	
		W1	0.91	1.21	0.91	GLAZED WINDOW	
4.	VENTILATOR	V	0.76	0.60	1.52	VENTILATOR	

AREA STATEMENT

PLOT AREA AS PER SITE	-- 222.3 SMT.
LEFT FOR ROAD WIDENING	-- 0.00 SMT.
NET PLOT AREA	-- 222.3 SMT.

AREA OF GROUND FLOOR	-- 105.0 SMT.
AREA OF 1ST FLOOR	-- 105.0 SMT.
TOTAL BUILT UP AREA	-- 210.00 SMT.

% ag. OF COVERED AREA	-- 47.23%
TOTAL F.A.R. ACHIEVED	-- 0.94%



ABC (123)

APPLICANT SIGNATURE _____
ENGG. SIGNATURE _____