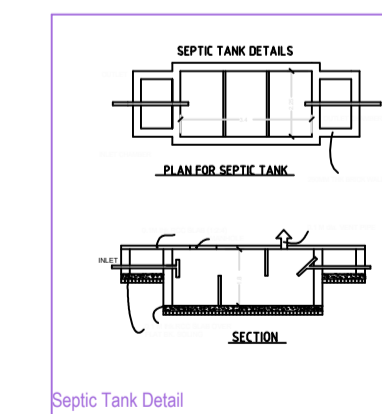
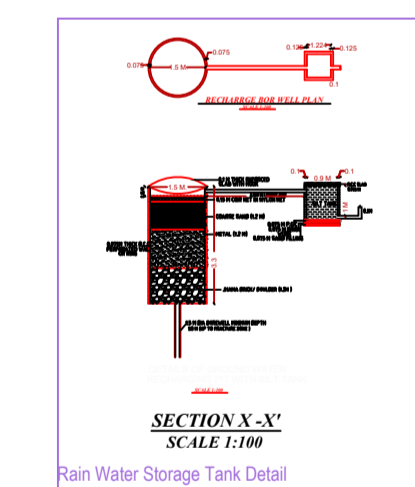
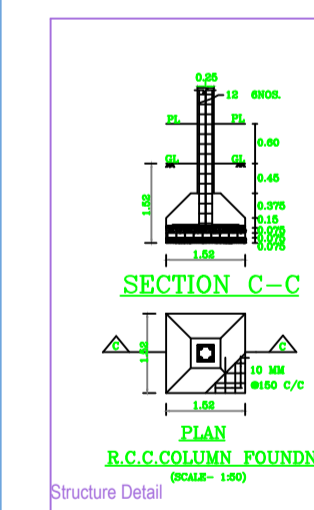
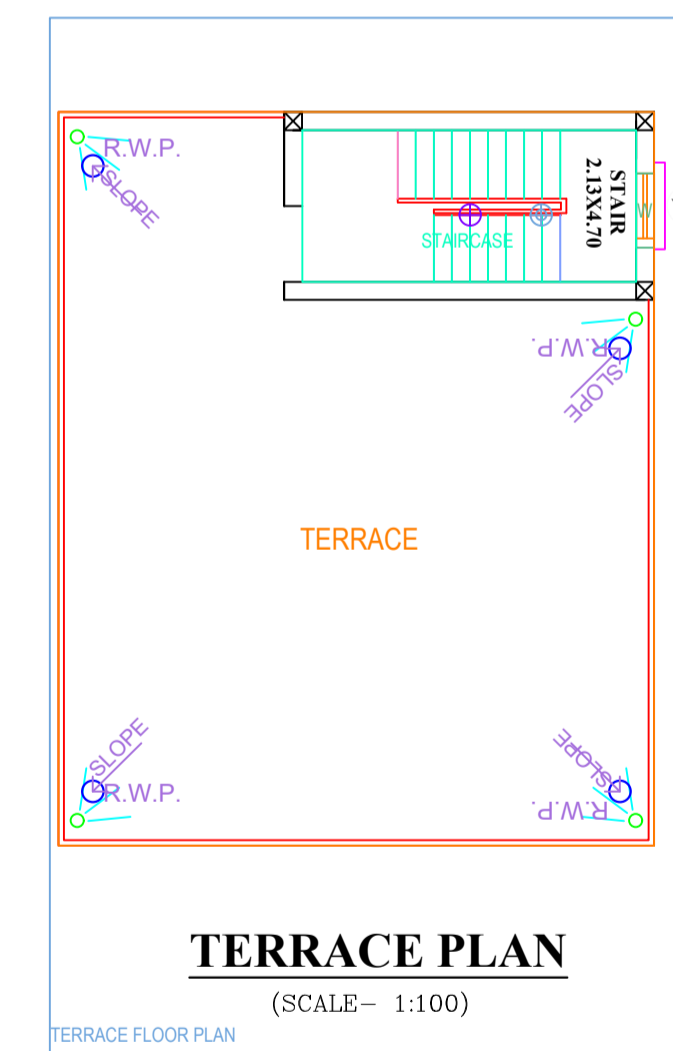
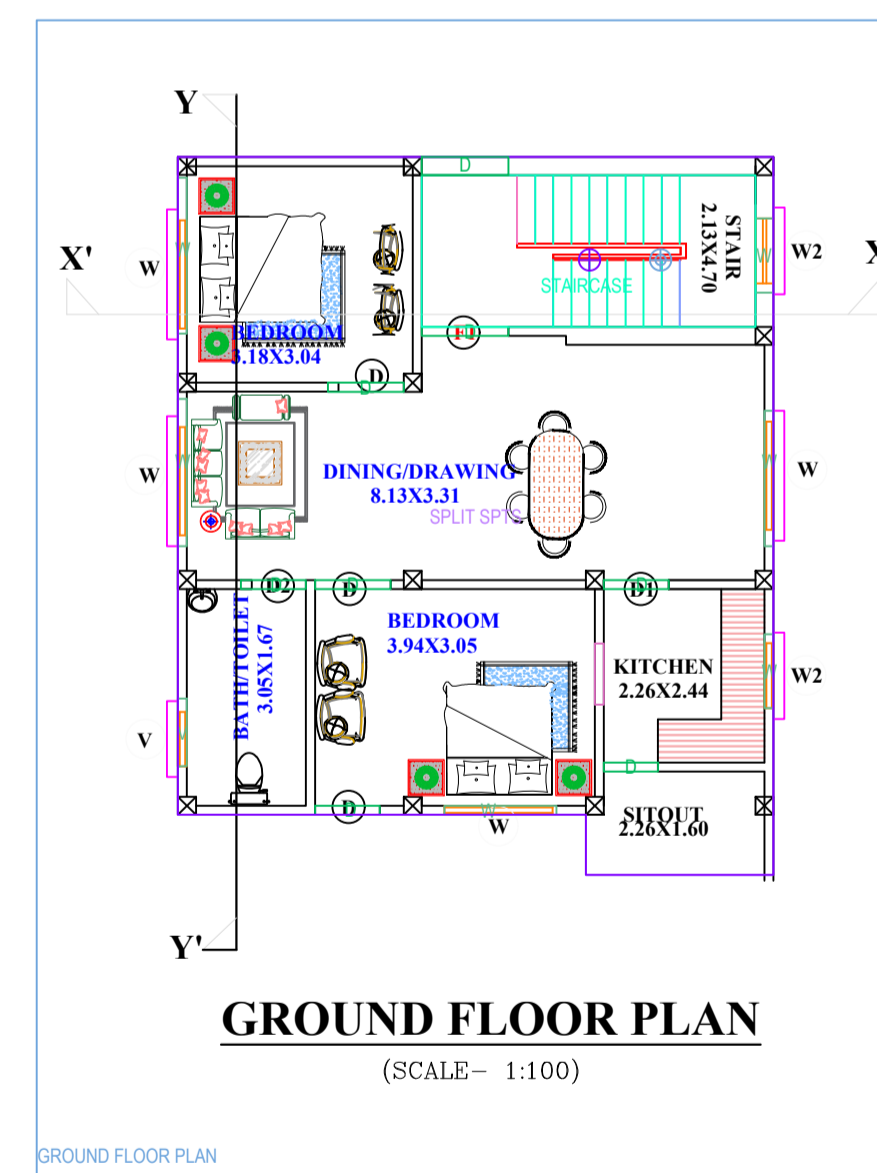
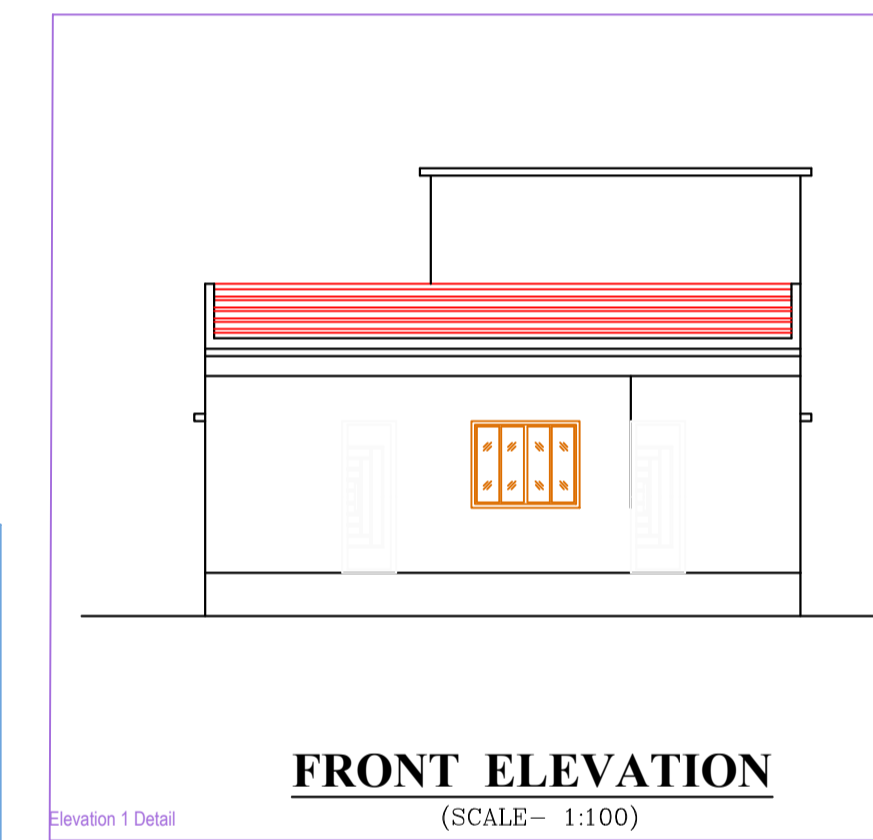
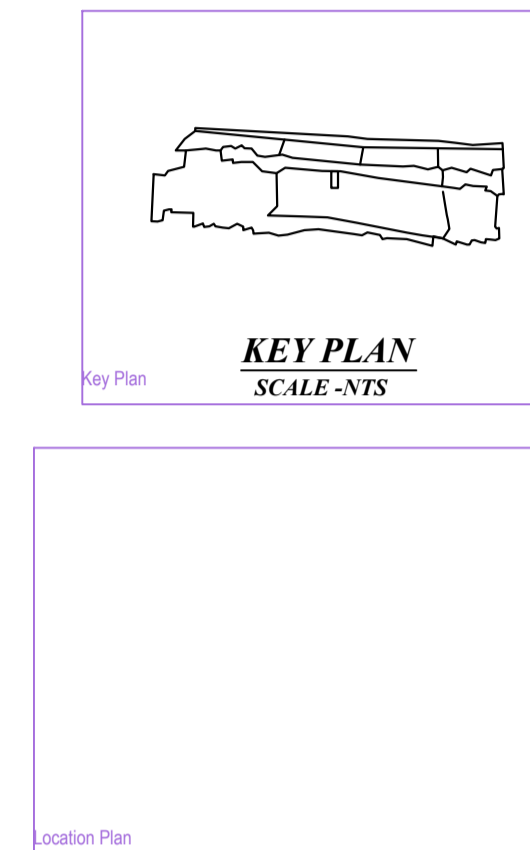
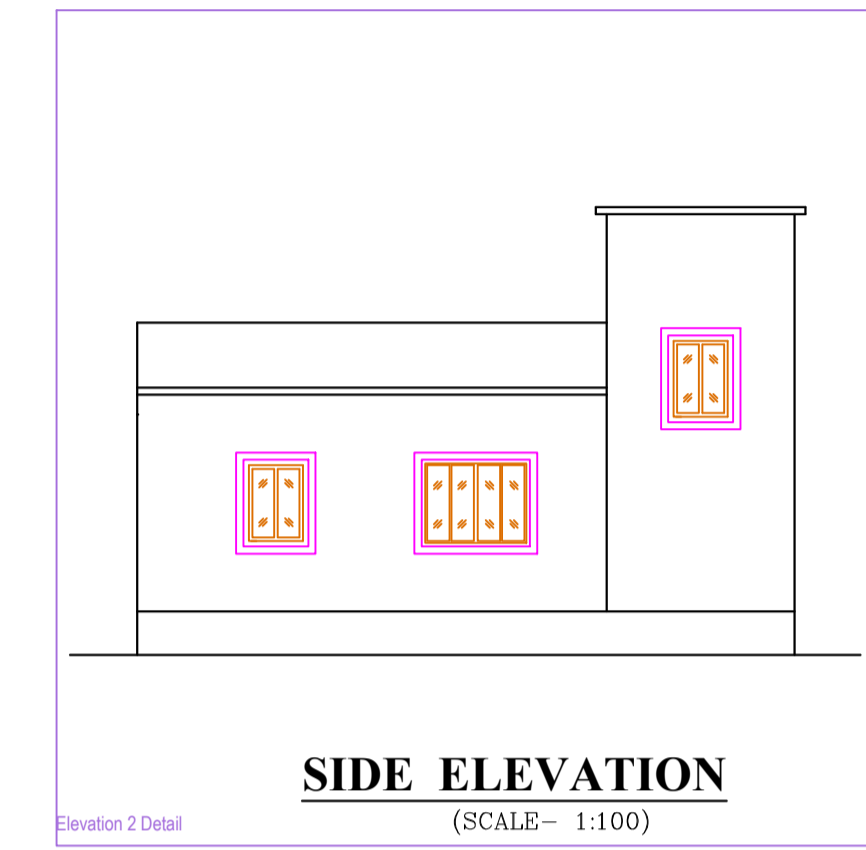
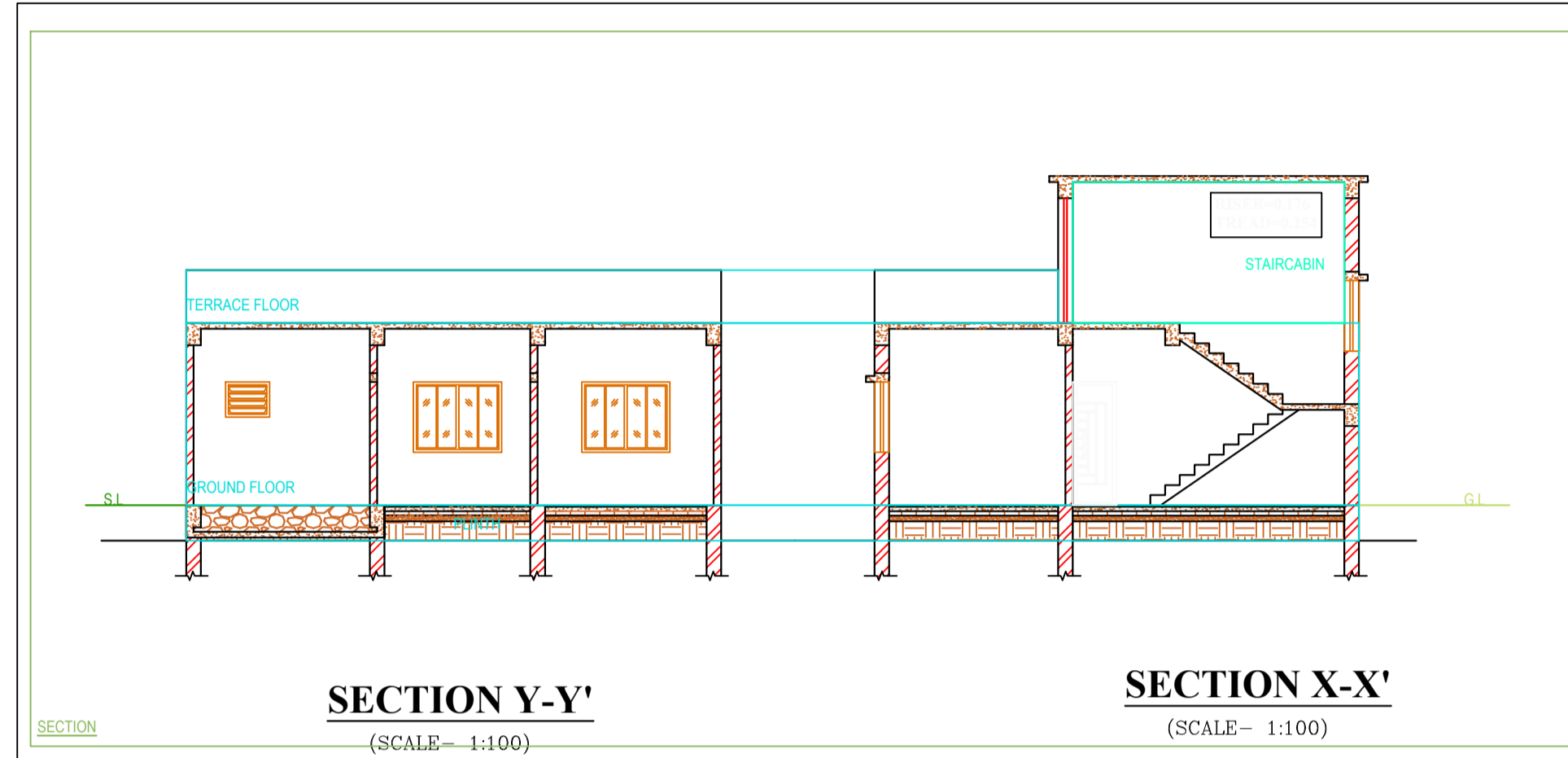
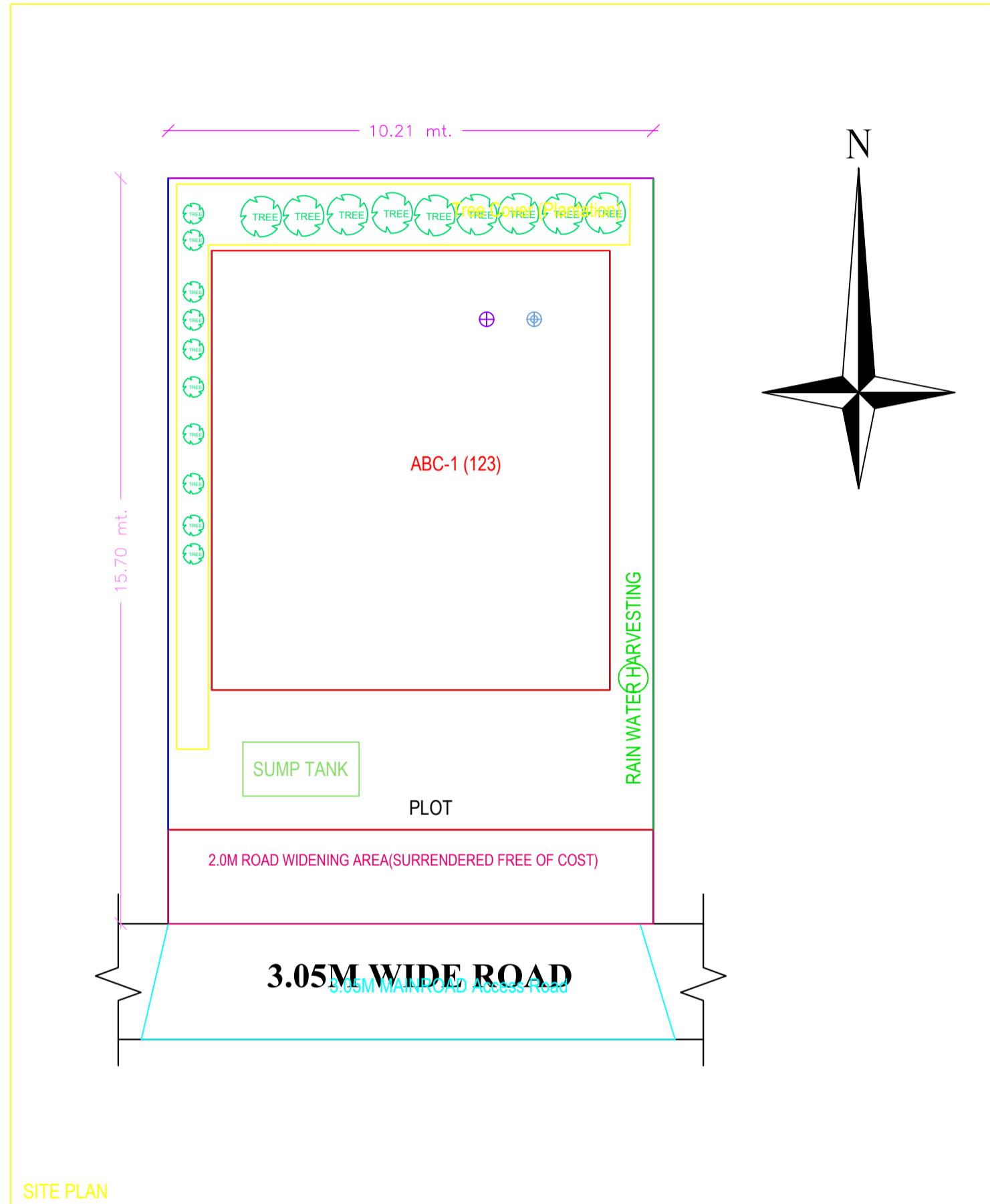


Project Title :BARITA DEVI



**NOTE :- ALL DIMENTION IN METER**

**SPECIFICATION**

- FOUNDATION : SHOWN AS PER FOUNDATION DETAILS.
- FLOOR : 0.25THK. FLOOR FINISH OVER 0.075THK. P. C. C.
- D.P.C. : 0.25THK. D.P.C. AT PLINTH LEVEL IN C.M. MORTAR.
- LINTAL : 0.15 THK. R. C. C. LINTAL IN C. M. 1:2:4
- ROOF : 0.10 THK. R. C. C. ROOF SLAB IN C.M. 1:2:4
- SUPER STRUCTURE : 0.25 THK. OF 0.25 THK. 1st CLASS BRICK WORK IN C.M. MORTAR 1:6.
- PLASTER : 0.12mm THK. CEMENT INTERNAL & EXTERNAL.
- WOOD WORK : SAL WOOD CHAIKAT & VIA WOOD SHUTTER.
- SEPTIC TANK : SEPTIC TANK WILL BE FLUSHING SYSTEM.
- REINFORCEMENT : ALL REINFORCEMENT SHALL BE OF TOR STEEL OF GRADE FY-415.
- FINISHING : 2 COATS OF WHITE WASH/SOCEM WASH.

**SCHEDULE OF OPENING**

ITEM	TYPE	WIDTH	HEIGHT	SILL LVL.	DESCRIPTION	
1.	DOORS	D1	1.08	2.13	NIL.	DOOR SHUTTER
		D1	0.91	2.13	NIL.	FLUSH DOOR
		D2	0.76	2.13	NIL.	"
2.	WINDOWS	W1	1.2	1.21	0.91	GLAZED WINDOW
		W1	0.91	1.21	0.91	GLAZED WINDOW
3.	VENTILATOR	V	0.76	0.60	1.52	VENTILATOR

**AREA STATEMENT**

PLOT AREA AS PER SITE	-- 160.3 SMT.
LEFT FOR ROAD WIDENING	-- 20.2 SMT.
NET PLOT AREA	-- 140.1 SMT.

AREA OF GROUND FLOOR	-- 79.8 SMT.
TOTAL BUILT UP AREA	-- 79.8 SMT.

% ag. OF COVERED AREA	-- 56.95%
TOTAL F.A.R. ACHIEVED	-- 0.56

**APPLICANT SIGNATURE** \_\_\_\_\_

**ENGG. SIGNATURE** \_\_\_\_\_

ABC (123)