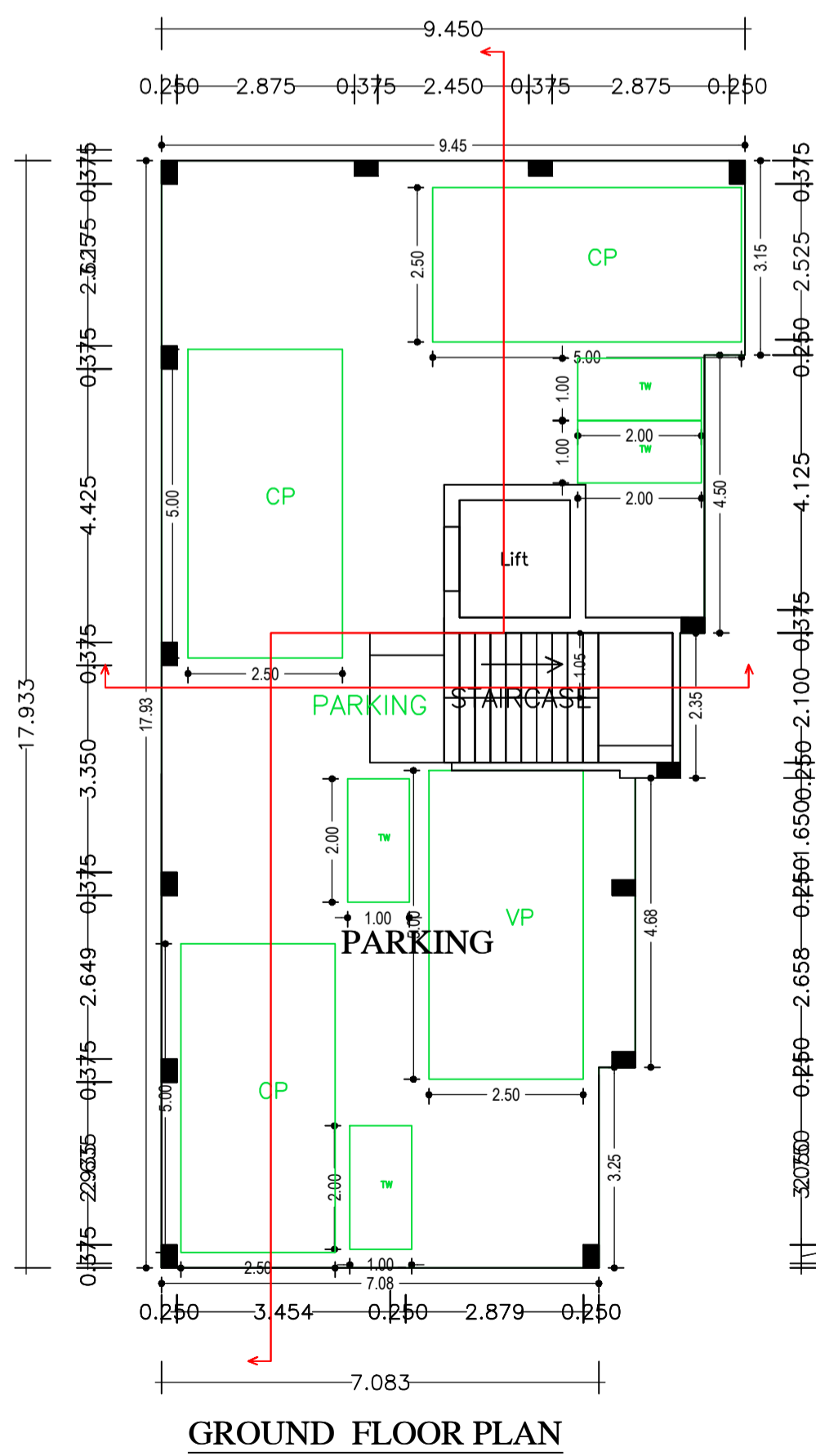
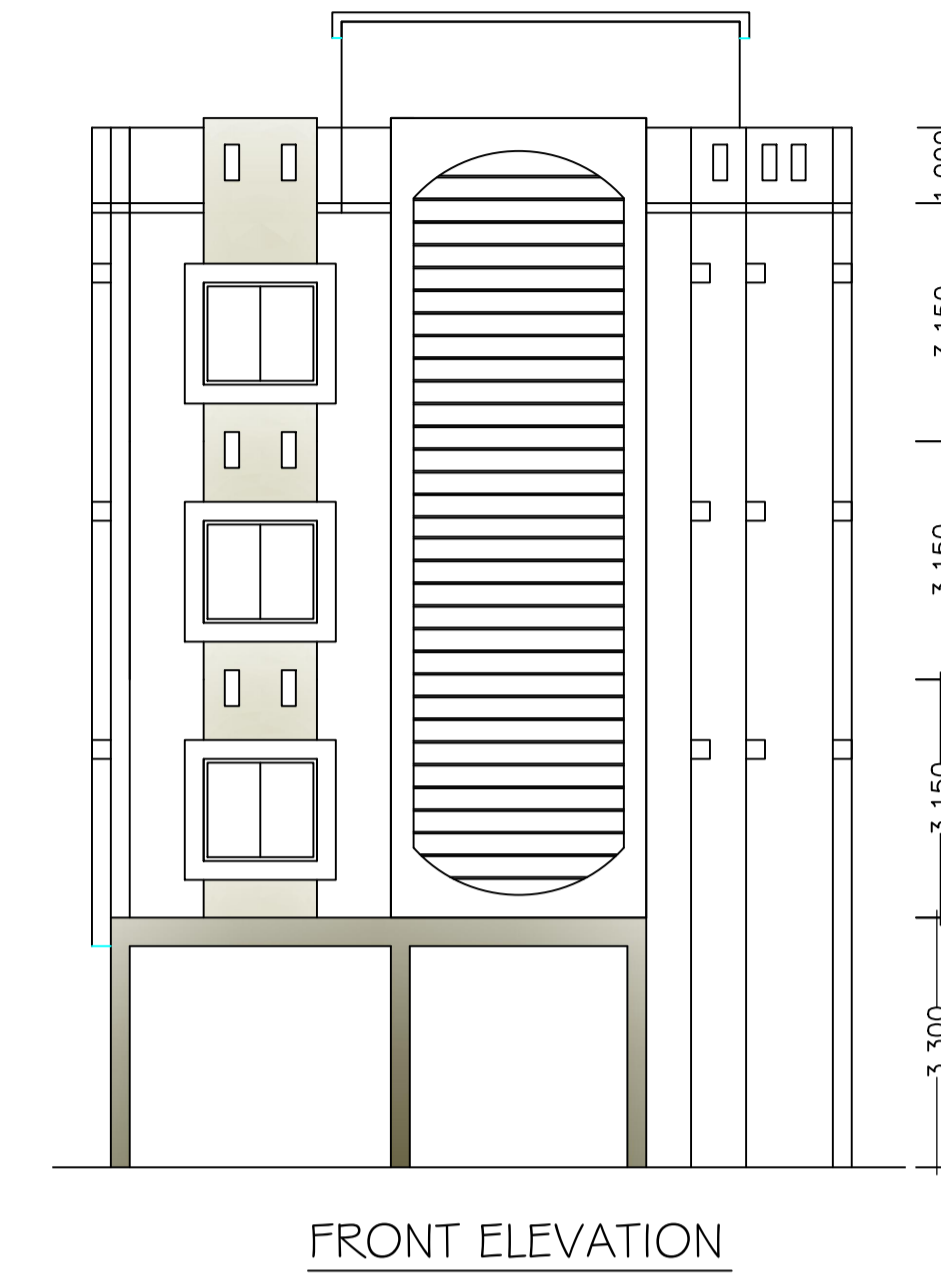
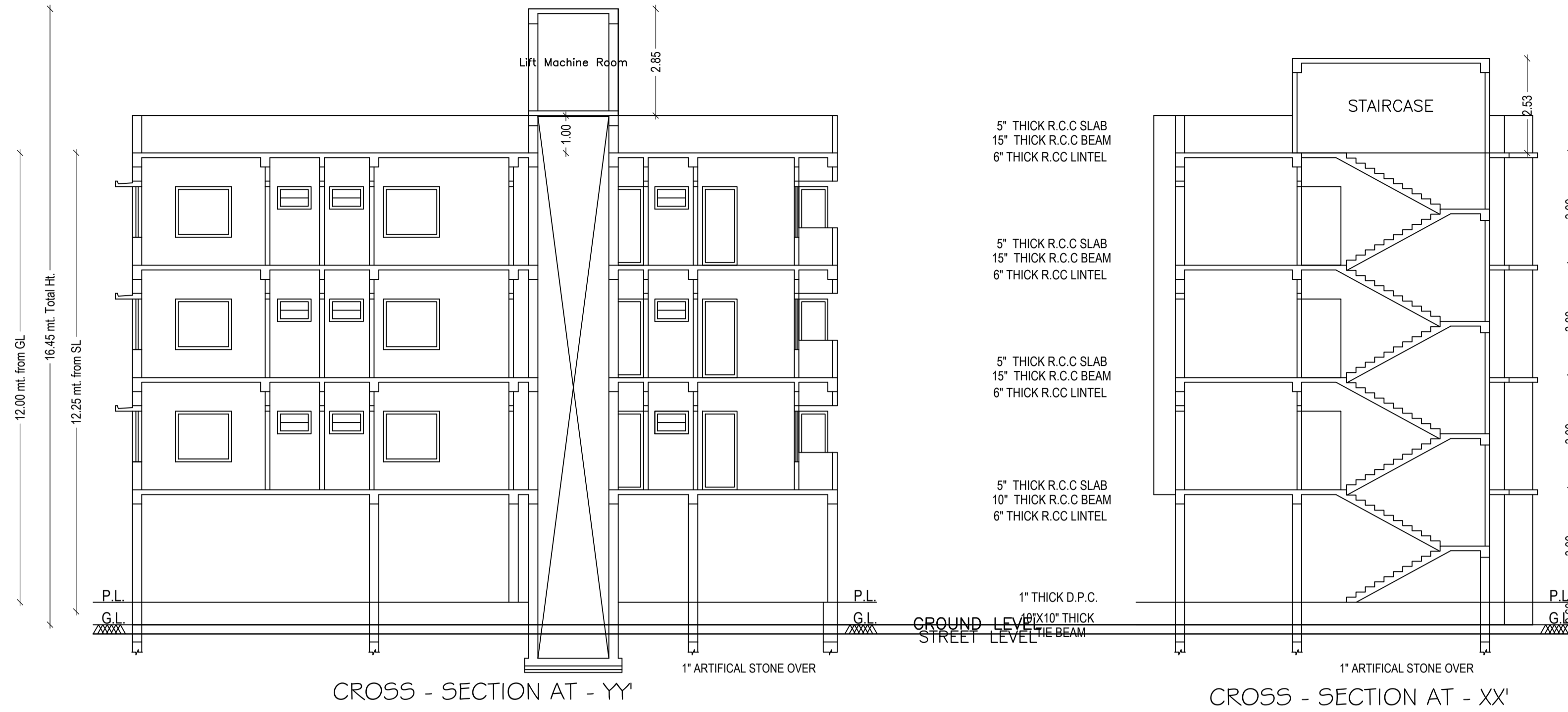
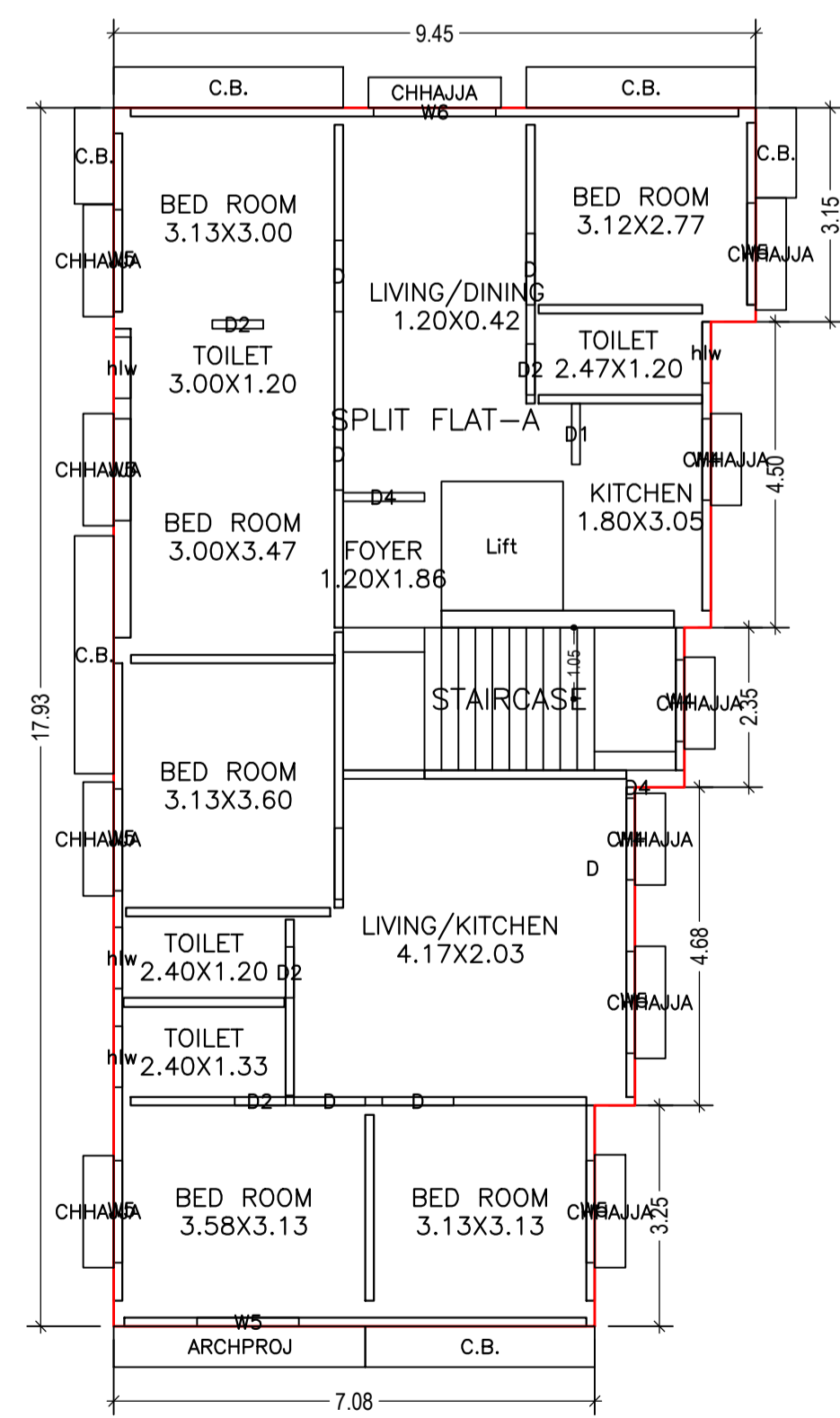


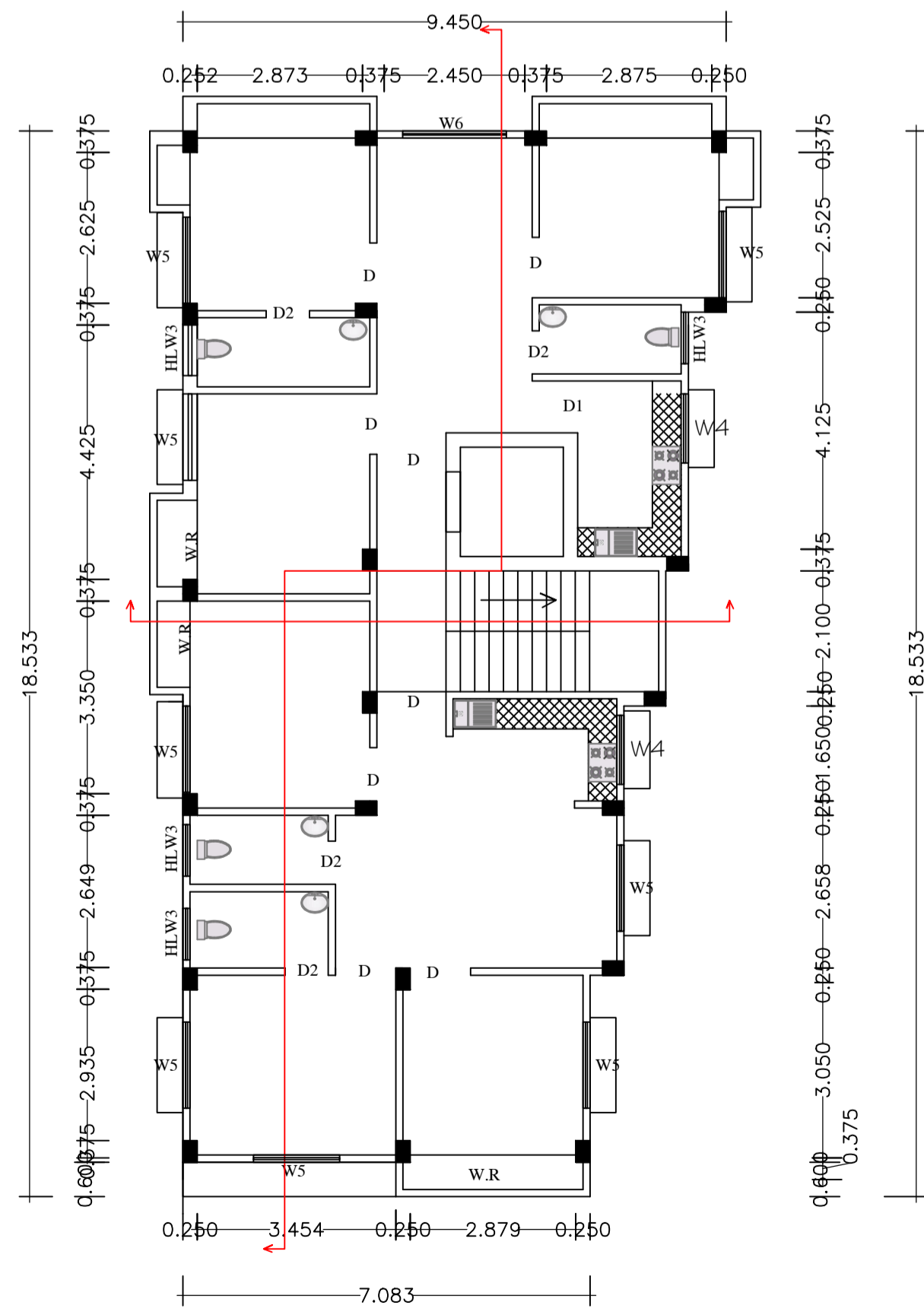
Proposal Basic Information	
Proposal File No.	MJNPC/BP/0006/W09/2018
Owner Name	SMT. BINA DEVI
Khata No	222/35K
Plot No	1413/A
Village Name	Mhijam
Use	Residential
SubUse	Residential Bldg/Apartment



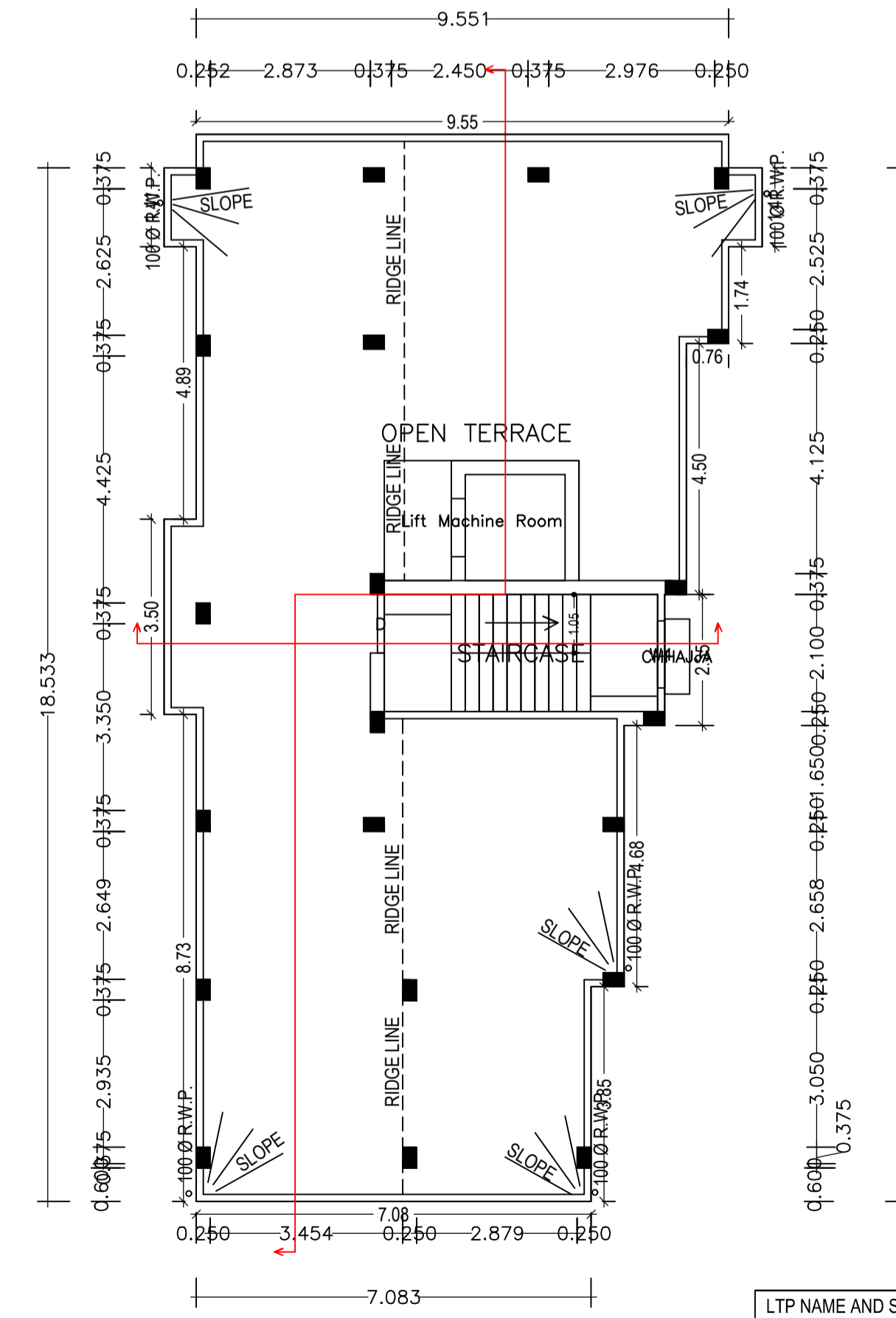
GROUND FLOOR PLAN (SCALE 1:100)



TYPICAL - 1, 2 & 3 FLOOR PLAN (Proposed) (SCALE 1:100)



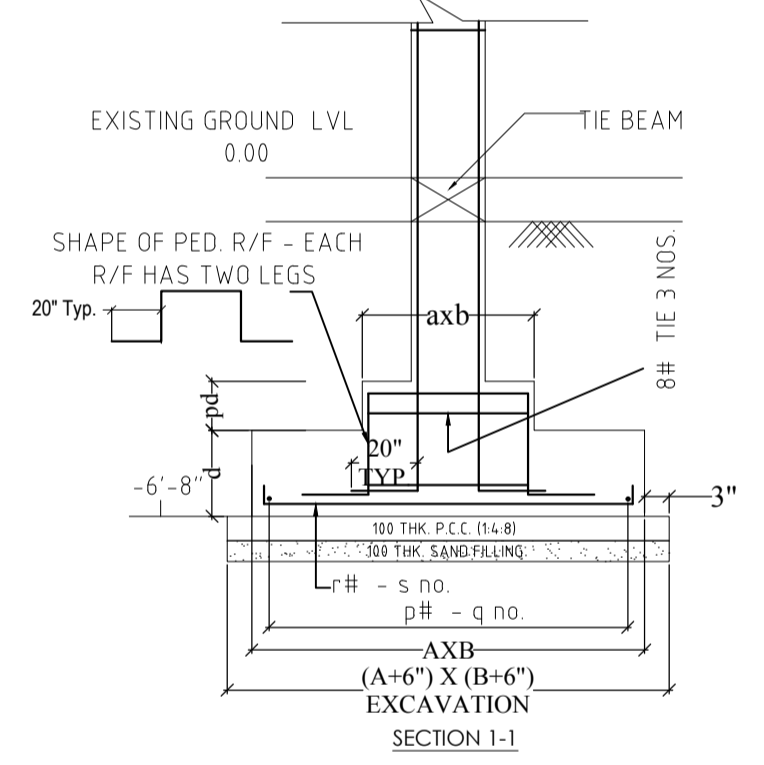
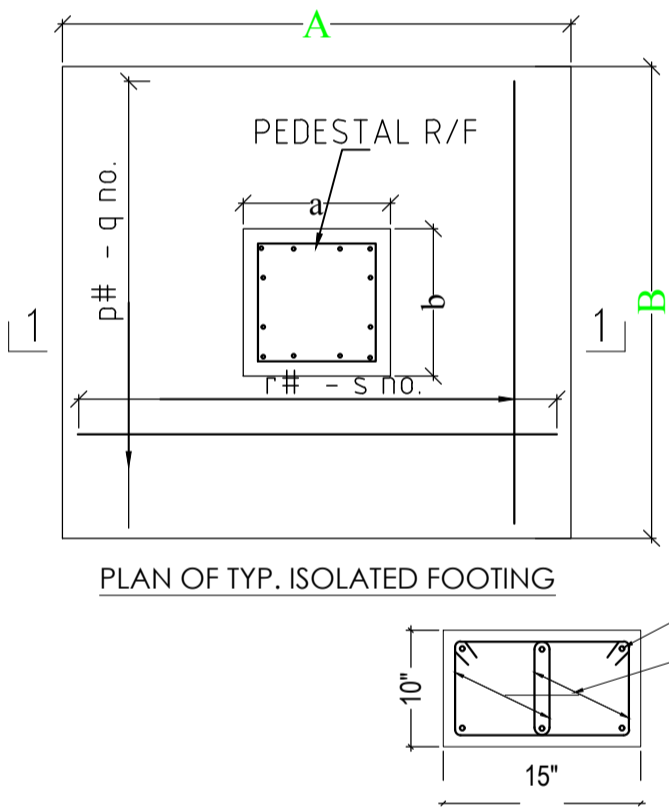
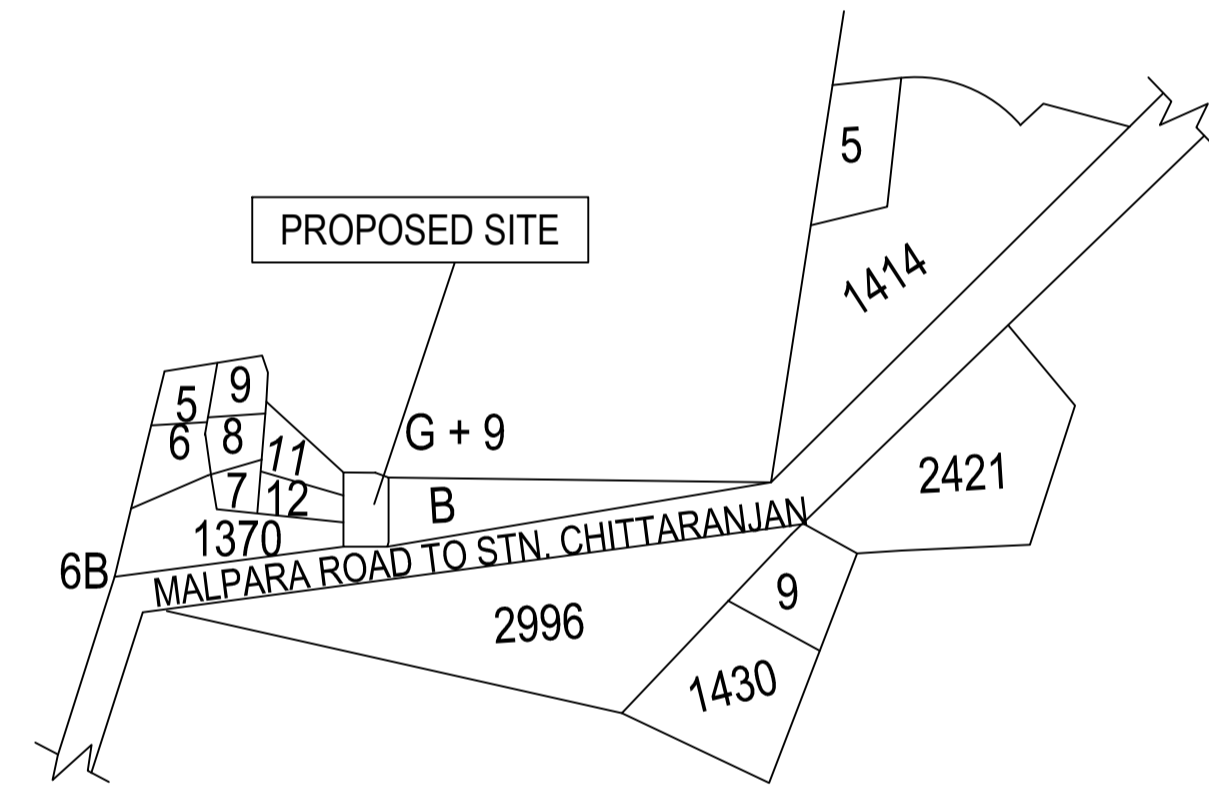
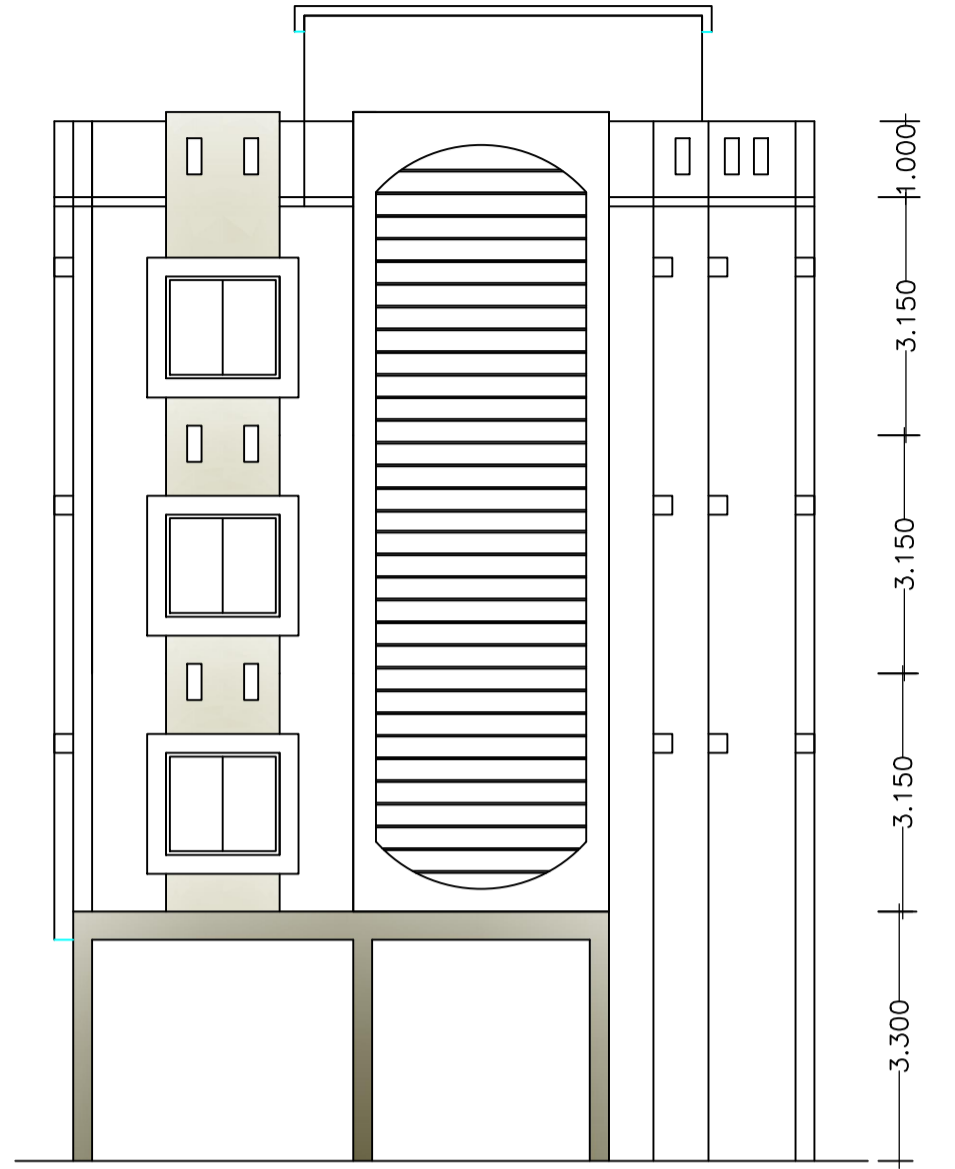
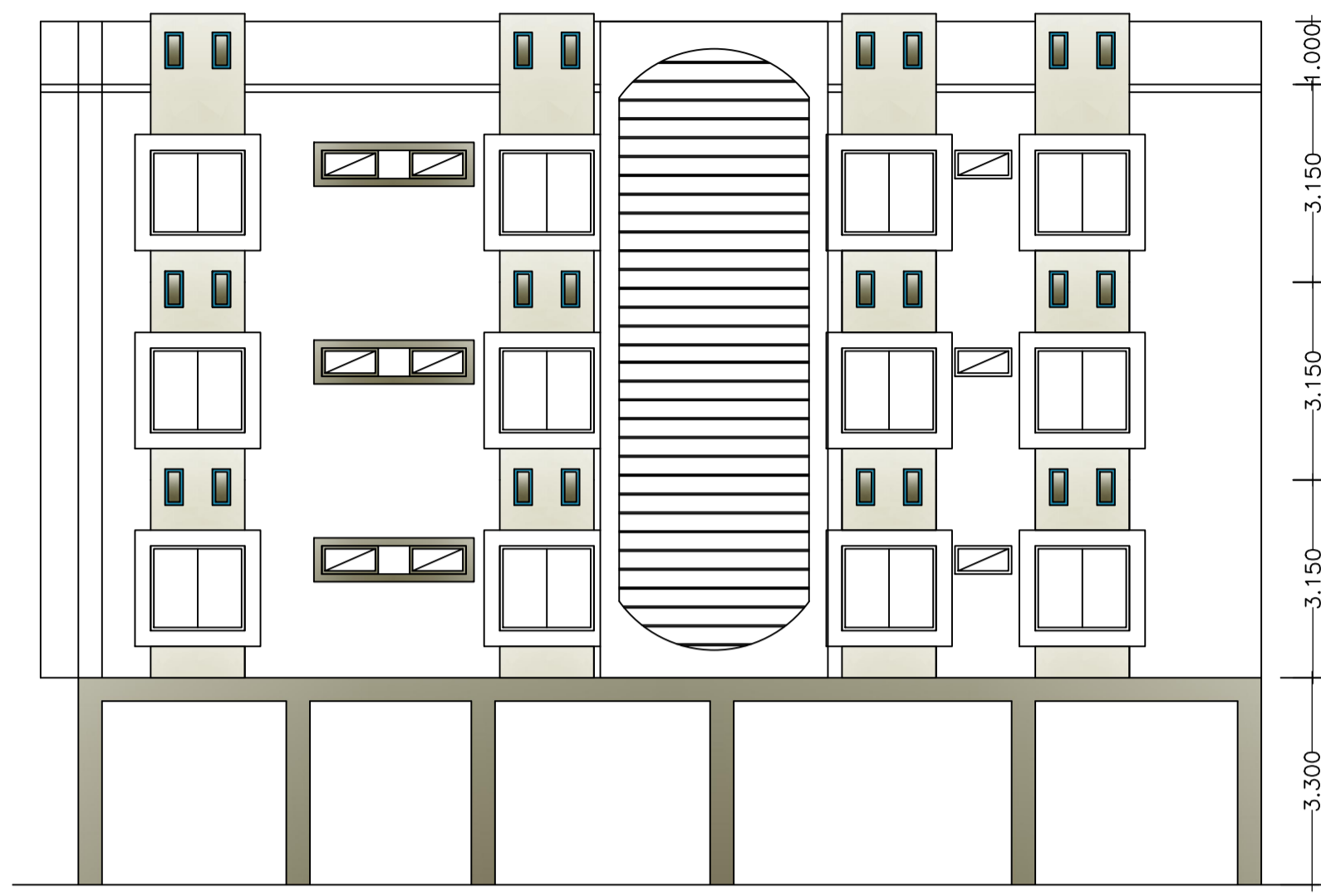
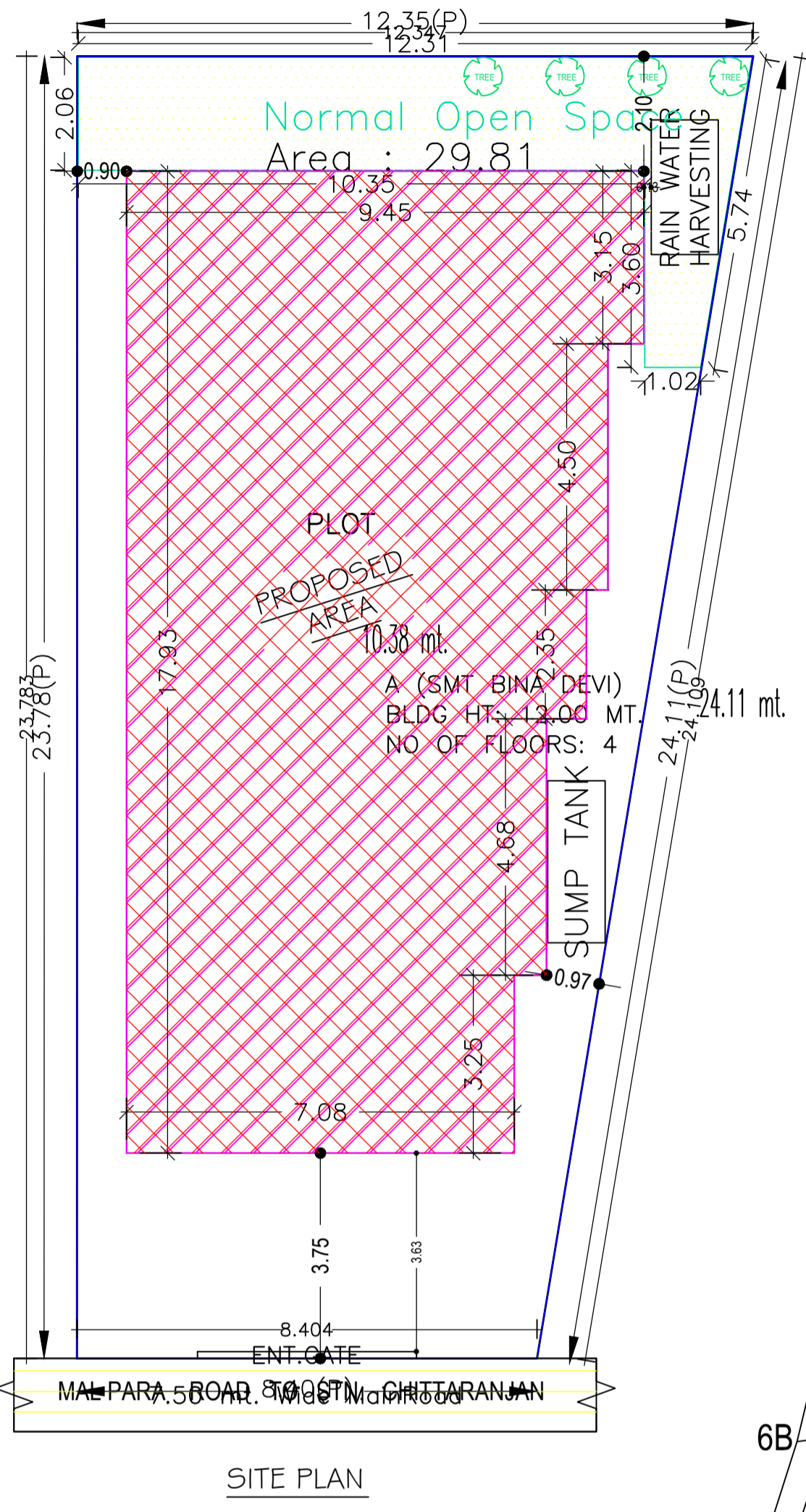
TYPICAL FLOOR PLAN 1ST TO 3RD



TERRACE FLOOR PLAN (SCALE 1:100)

LTP NAME AND SIGNATURE	STRUCTURAL ENG'S NAME AND SIGNATURE	BUILDER NAME AND SIGNATURE
irshad hussain khan MJNPC/ENG/0002/2016		

Proposal Basic Information	
Proposal File No.	MJNPC/BP/0006/W09/2018
Owner Name	SMT. BINA DEVI
Khata No	222/35K
Plot No	1413/A
Village Name	Mihijam
Use	Residential
SubUse	Residential Bldg/Apartment



SITE PLAN

Building USE/SUBUSE Details

Building Name	Building Use	Building SubUse	Building Structure
A (SMT BINA DEVI)	Residential	Residential Bldg/Apartment	Non-Highrise

Building :A (SMT BINA DEVI)

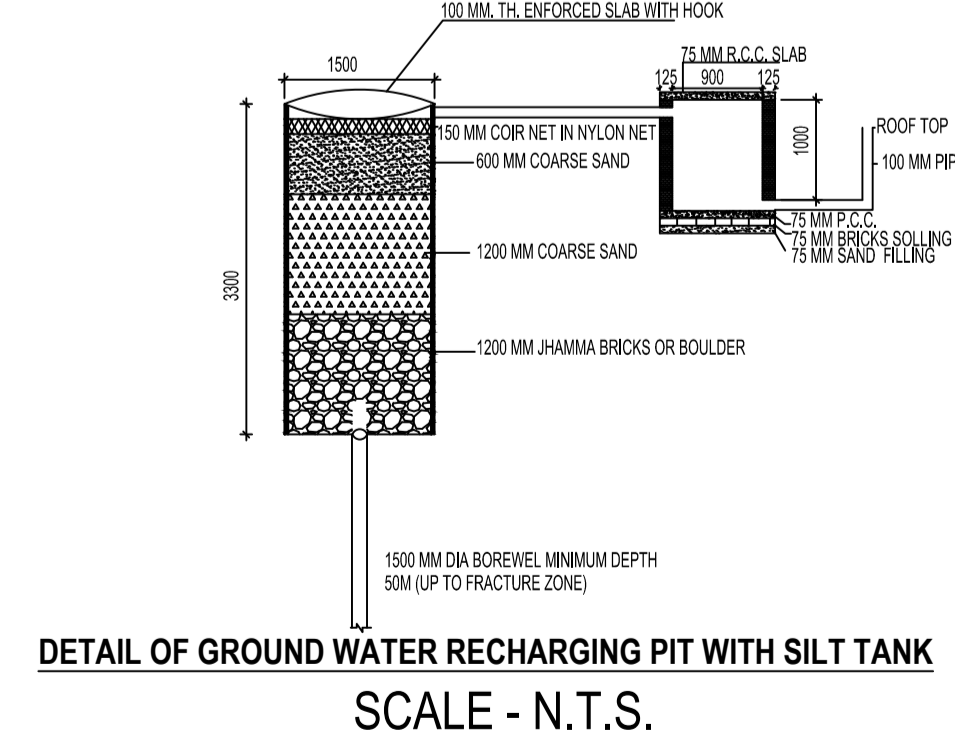
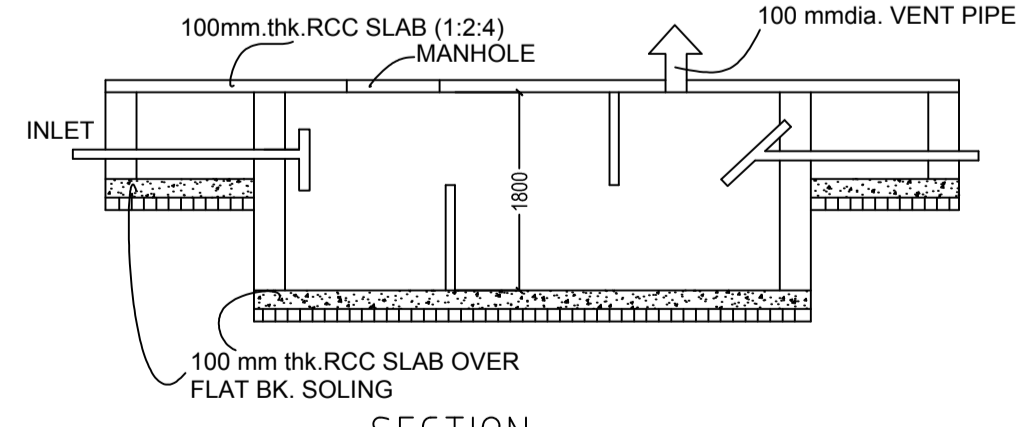
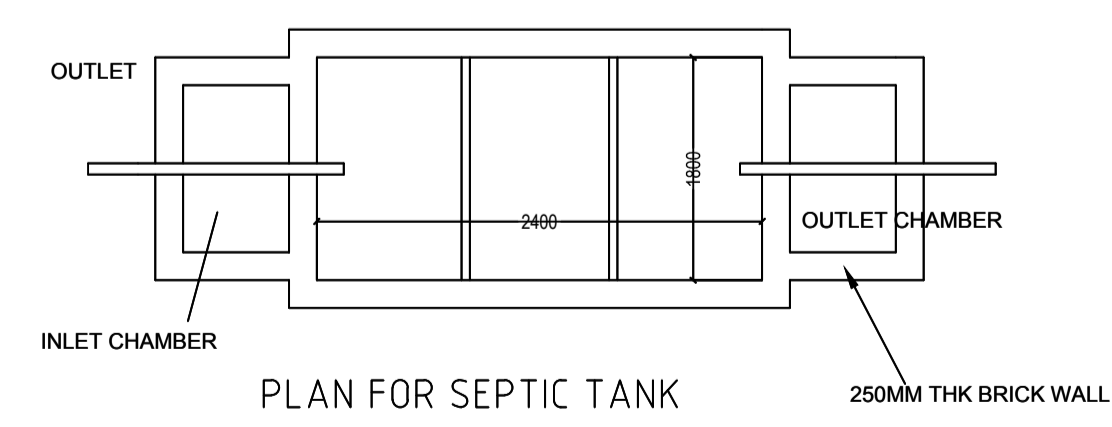
Floor Name	Total Built Up Area (Sq.mt.)	Deductions (Area in Sq.mt.)		Proposed FAR Area (Sq.mt.)	Add Area in FAR (Sq.mt.)	Total FAR Area (Sq.mt.)	Total Consumed Additional FAR Area (Sq.mt.)	Trmt (No.)
		Lift	Parking					
Ground Floor	148.02	0.00	134.33	0.00	10.29	13.69	13.69	00
First Floor	157.72	3.40	0.00	154.32	0.00	154.32	154.32	01
Second Floor	157.72	3.40	0.00	154.32	0.00	154.32	154.32	01
Third Floor	157.72	3.40	0.00	154.32	0.00	154.32	154.32	01
Terrace Floor	0.00	0.00	0.00	0.00	0.00	0.00	0.00	00
Total :	621.18	10.20	134.33	462.96	10.29	476.65	476.65	03
Total Number of Same Buildings	1							
Total :	621.18	10.20	134.33	462.96	10.29	476.65	476.65	03

SCHEDULE OF DOOR:

BUILDING NAME	NAME	LENGTH	HEIGHT	NOS
A (SMT BINA DEVI)	D2	0.75	2.10	12
A (SMT BINA DEVI)	D1	0.90	2.10	03
A (SMT BINA DEVI)	D	1.05	2.10	18
A (SMT BINA DEVI)	D4	1.20	2.10	06

SCHEDULE OF WINDOW/VENTILATION:

BUILDING NAME	NAME	LENGTH	HEIGHT	NOS
A (SMT BINA DEVI)	hw	0.90	0.60	12
A (SMT BINA DEVI)	W4	1.20	1.20	10
A (SMT BINA DEVI)	W5	1.50	1.35	24
A (SMT BINA DEVI)	W6	1.80	1.35	03



AREA STATEMENT MIHIJAM NAGAR PANCHAYAT		VERSION NO. : 1.0.28
PROJECT DETAIL:		VERSION DATE: 30/06/2018
Region: JHARKHAND URBAN LOCAL BODIES	Plot Use: Residential	
District: JAMTARA	Plot SubUse: Residential Bldg/Apartment	
Authority: MIHIJAM NAGAR PANCHAYAT	PlotNearby/ReligiousStructure: NA	
Inward No: MJNPC/BP/0006/W09/2018	Plot/SubPlot No: 1413/A	
Application Type: General Proposal	North: Plot No - 849	
Project Type: Building Permission	South: Road Width - 7.5	
Nature of Development: New	East: Plot No. - 1413/B/3/B	
Location of Development Area: Old Area	West: Plot No. - 1410,1411,1412 &1413/PART	
AREA DETAILS:		SQ.MT.
AREA OF PLOT (Minimum)	(A)	246.77
NET AREA OF PLOT(Gross Plot Area - Deduction from Gross Plot area)	(A-Deductions)	246.77
Deduction for Balance Plot Area(from Gross Plot Area)		
Common Plot		29.81
Total		29.81
BALANCE AREA OF PLOT(Net Plot Area - Recreational/Amenity space)	(A-Deductions)	216.97
PLOT AREA FOR COVERAGE(Net Plot Area)	(A-Deductions)	246.77
Plot Area for FAR (Net Plot Area + Road Widening Area)	(A-Deductions)	246.77
COVERAGE CHECK		
Permissible Coverage area (60.00 %)		148.06
Proposed Coverage Area (59.99 %)		148.03
Total Prop. Coverage Area (59.99 %)		148.03
Balance coverage area (0.01 %)		0.03
FAR CHECK		
Perm. FAR Area (2.00)		493.54
Total Perm. FAR area		493.54
Residential FAR		462.97
Total Proposed FAR Area		476.66
Consumed FAR (Factor)		1.33
Balance FAR Area		16.88
BUILT UP AREA CHECK		
Total Proposed BuiltUp Area		621.18
ARCHITECT (Regd)		irshad hussain khan
ENGINEER (Regd)		
SUPERVISOR (Regd)		
OWNER (Regd)		SMT. BINA DEVI
DEVELOPMENT AUTHORITY		LOCAL BODY

COLOR INDEX	
PLOT BOUNDARY	Black
ABUTTING ROAD	Green
PROPOSED CONSTRUCTION	Red
COMMON PLOT	Yellow
ROAD WIDENING AREA	Blue
EXISTING (To be retained)	Blue
EXISTING (To be demolished)	Yellow

Buildingwise Floor FAR Details

Floor Name	Building Name A (SMT BINA DEVI)		Total	
	Proposed Built Up Area (Sq.mt.)	Proposed FAR Area (Sq.mt.)	Total Proposed Built Up Area (Sq.mt.)	Total FAR Area (Sq.mt.)
Ground Floor	148.02	13.69	148.02	13.69
First Floor	157.72	154.32	157.72	154.32
Second Floor	157.72	154.32	157.72	154.32
Third Floor	157.72	154.32	157.72	154.32
Terrace Floor	0.00	0.00	0.00	0.00
Total :	621.18	476.65	621.18	476.65

UnitBUA Table for Building :A (SMT BINA DEVI)

FLOOR	Name	UnitBUA Type	UnitBUA Area	Carpet Area	No. of Rooms	No. of Tenement
TYPICAL - 1, 2 & 3 FLOOR PLAN	SPLIT FLAT-A	FLAT	126.71	120.36	14	3
Total:	-	-	380.13	361.09	42	3

FAR & Tenement Details (Table 4c-1)

Building	No. of Same Bldg	Total Built Up Area (Sq.mt.)	Deductions (Area in Sq.mt.)		Proposed FAR Area (Sq.mt.)	Add Area in FAR (Sq.mt.)	Total FAR Area (Sq.mt.)	Total Consumed Additional FAR Area (Sq.mt.)	Trmt (No.)
			Lift	Parking					
A (SMT BINA DEVI)	1	621.18	10.20	134.33	462.96	10.29	476.65	476.65	03
Grand Total	1	621.18	10.20	134.33	462.96	10.29	476.65	476.65	03

LTP NAME AND SIGNATURE	STRUCTURAL ENG'S NAME AND SIGNATURE	BUILDER NAME AND SIGNATURE
irshad hussain khan MJNPC/ENG/0002/2016		