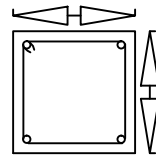


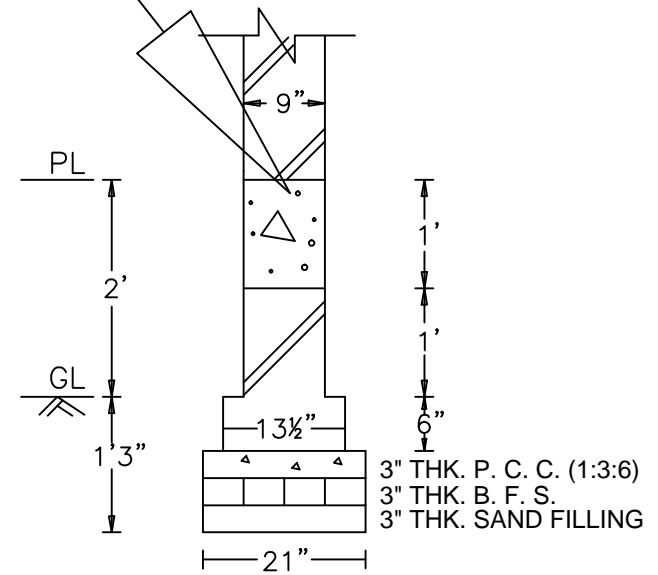
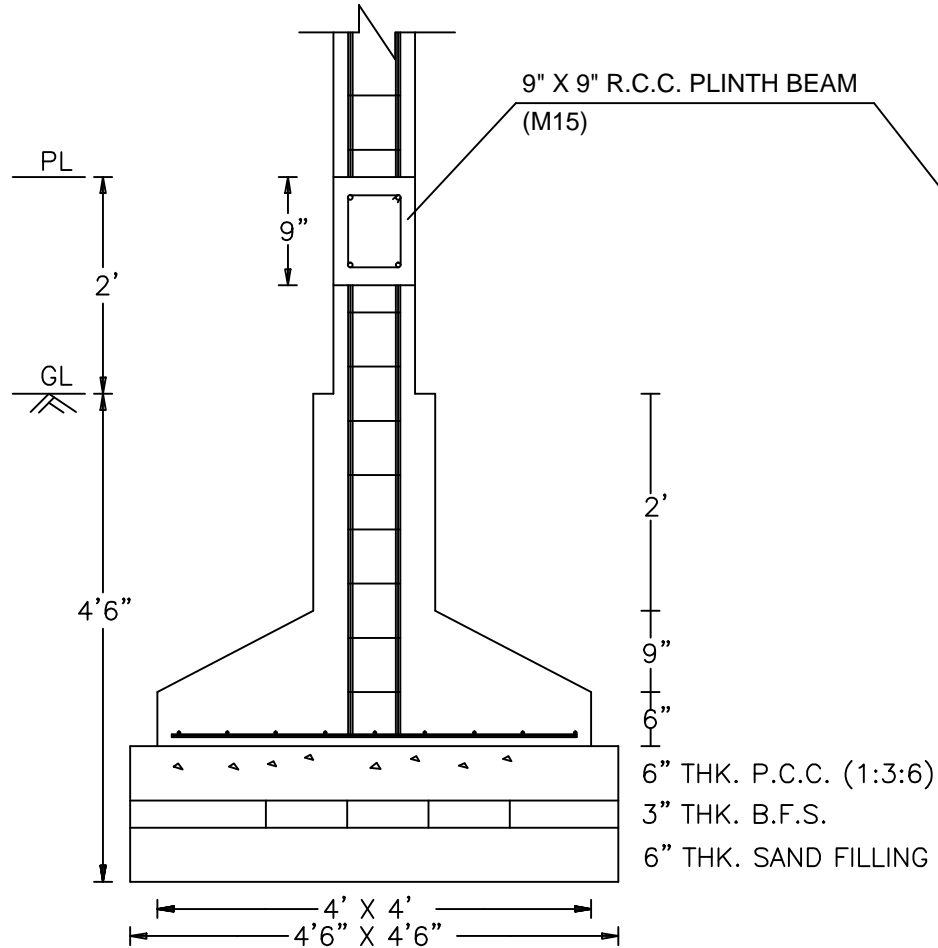
230



VERTICAL : 4 NOS. - 12 $\phi$

RINGS : 8 $\phi$  @ 6" C/C

230



FOUNDATION DETAILS OF COLUMN

FOUNDATION DETAILS OF WALL

# Structure Detail