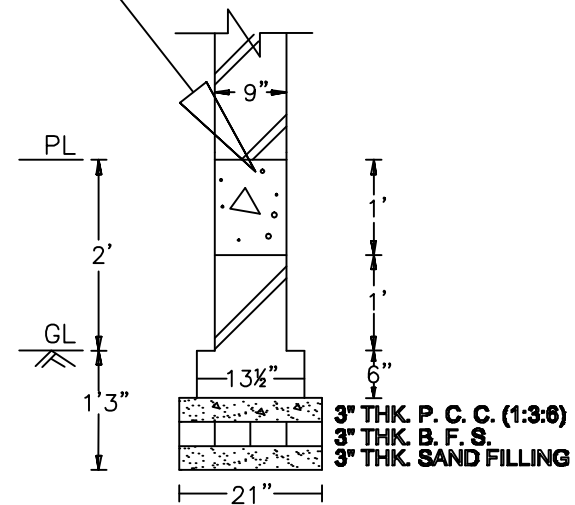


FOUNDATION DETAILS OF COLUMN



FOUNDATION DETAILS OF WALL

Structure Detail