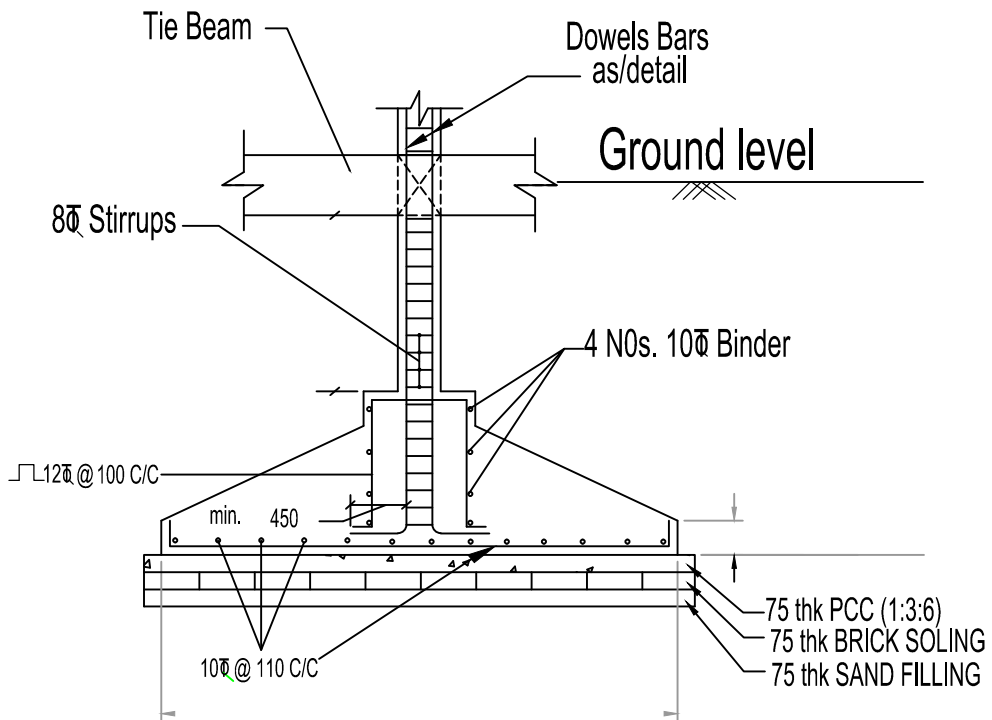


**PLAN**



**SECTION X-X**

**TYPICAL DETAIL OF ISOLATED FOOTING**