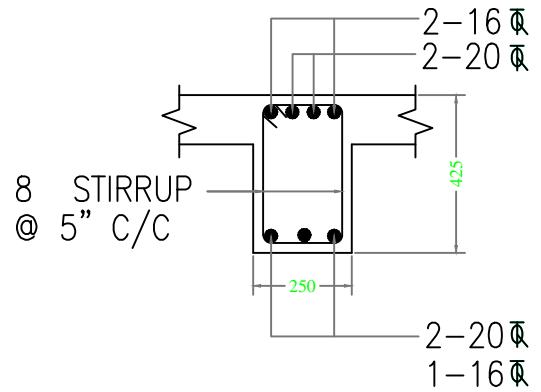
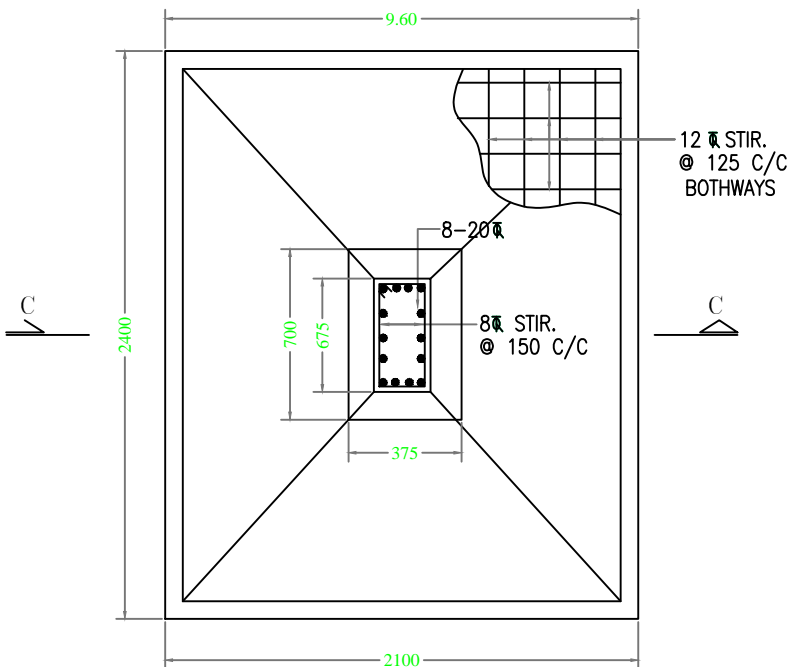


**C/S OF BEAM
AT SPAN**
(SCALE-1:25)



**C/S OF BEAM
AT SUPPORT**
(SCALE-1:25)



**REINFORCEMENT DETAILS OF
COLUMN FOUNDATION (TYP)**