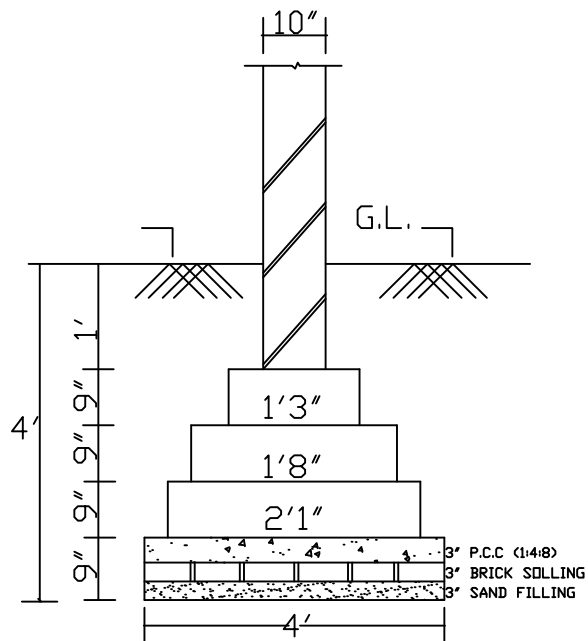
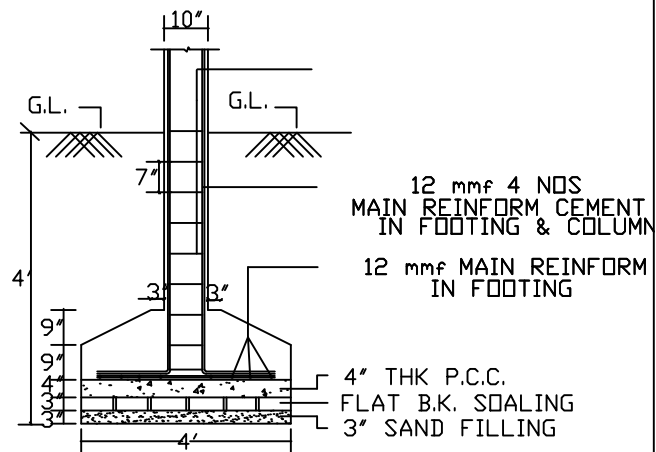


FOUNDATION PLAN
SCALE 1" = 4'-0"



FOUNDATION DETAIL OF
10" THK BRICK WALL
SCALE 1" = 4'-0"



DETAIL OF ISOLATED FOOTING
SCALE 1" = 4'-0"