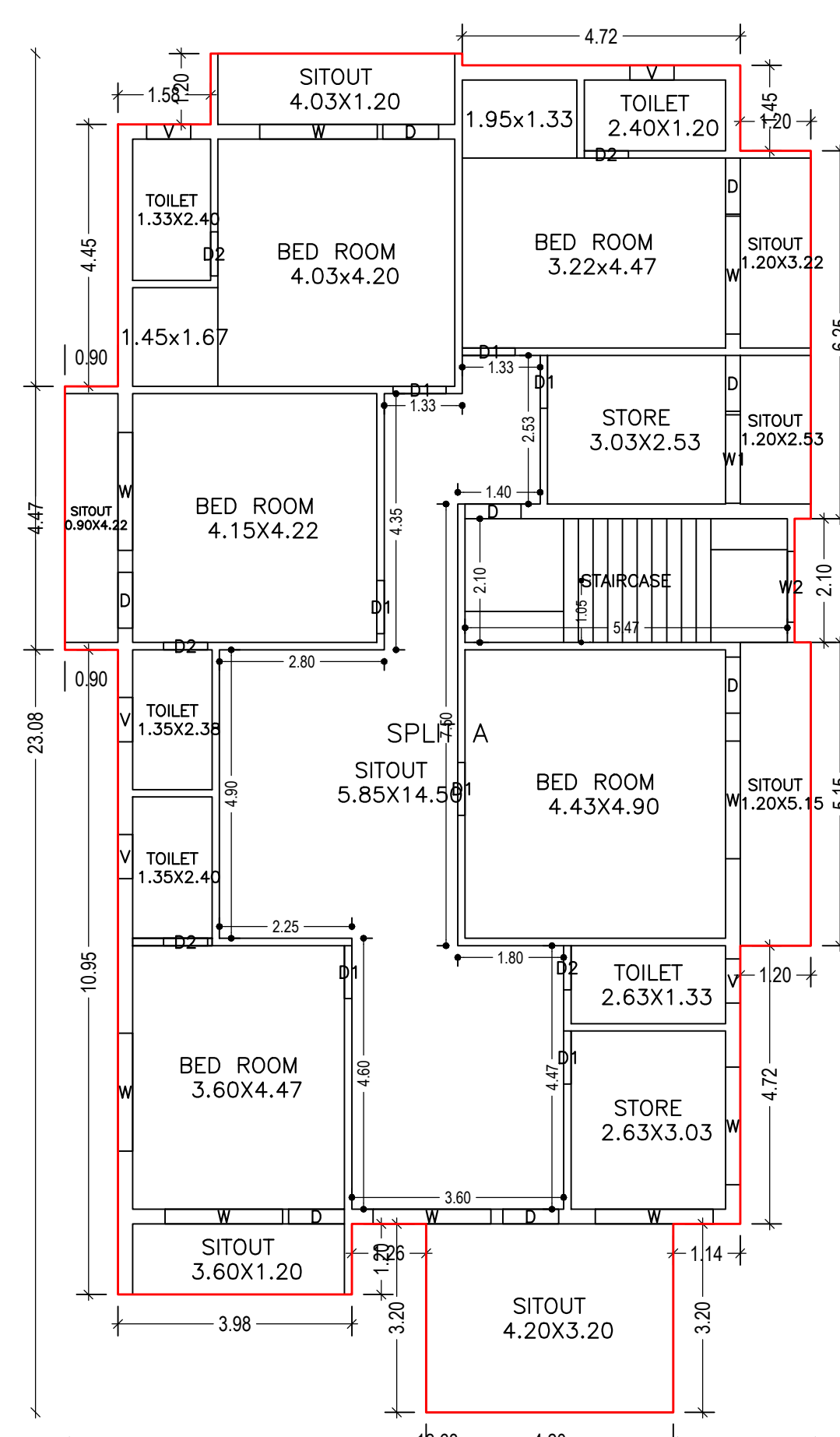
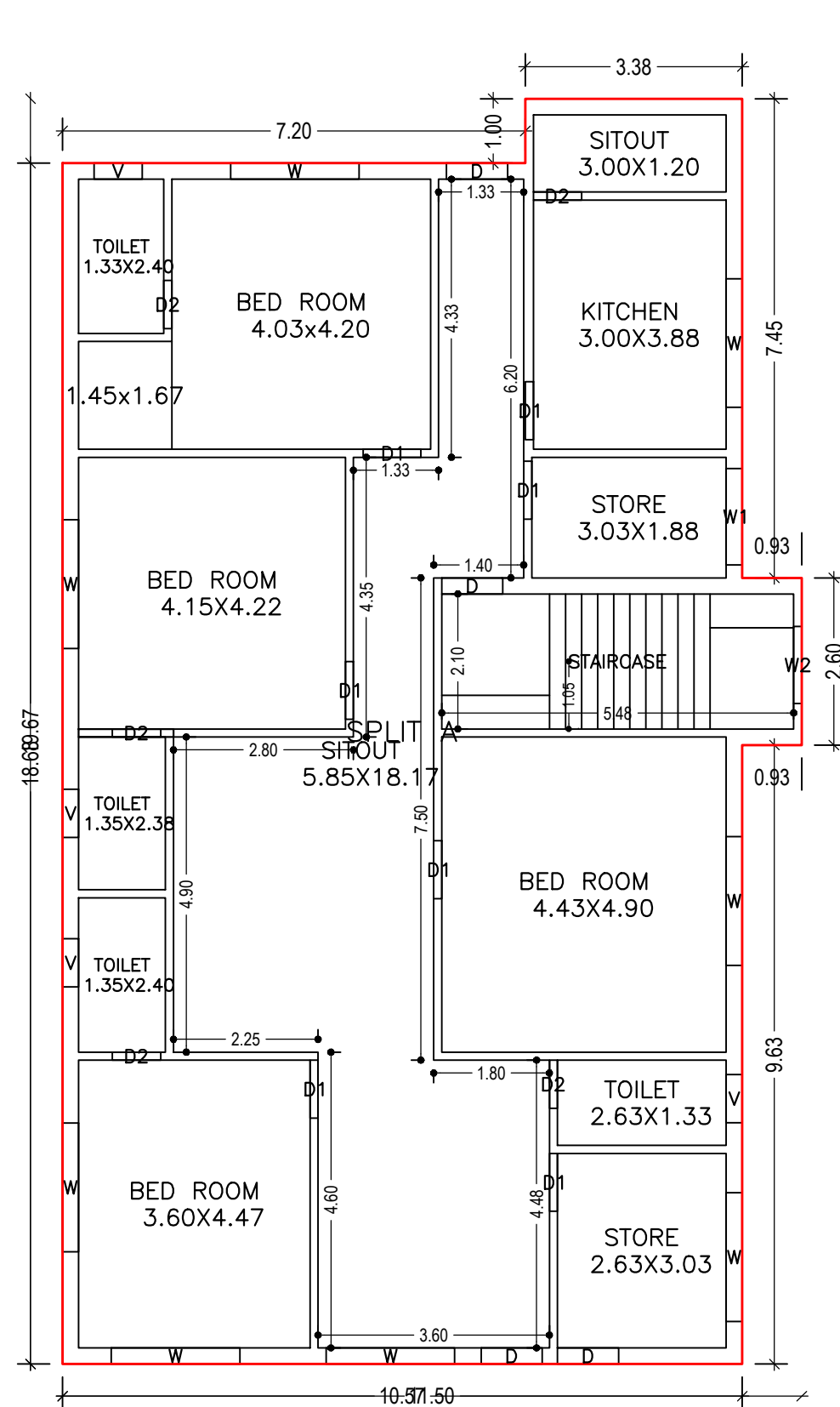


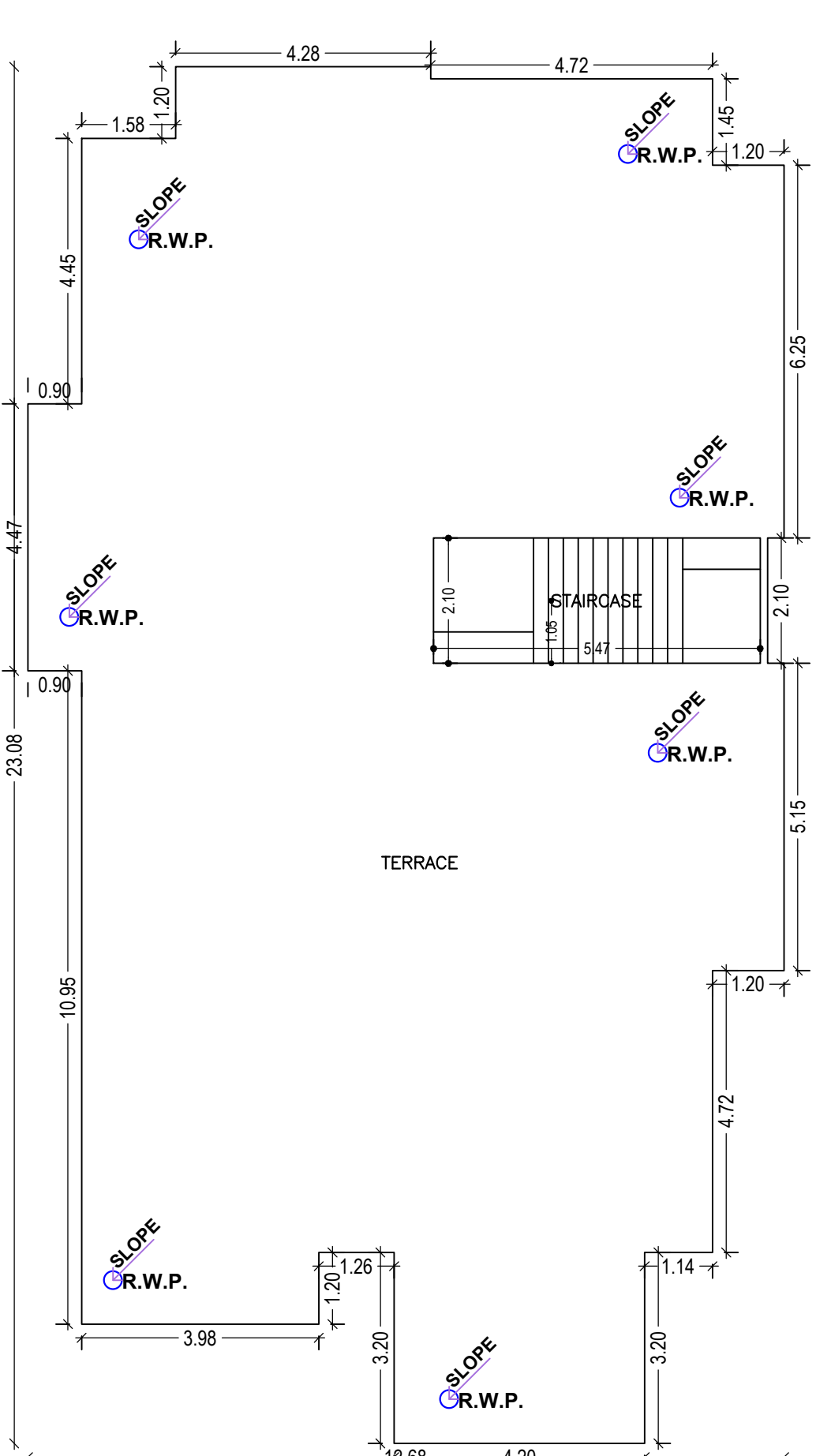
SITE PLAN



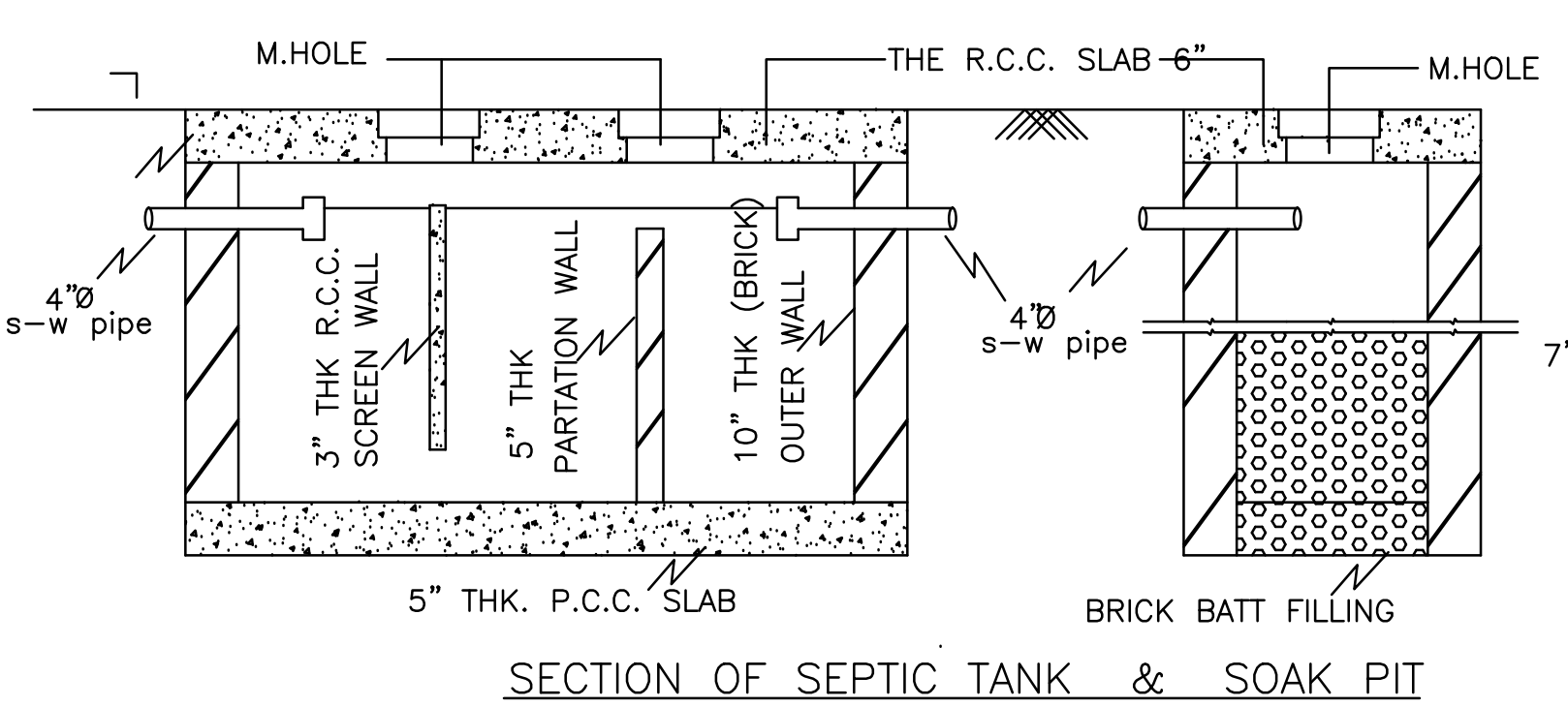
FIRST FLOOR PLAN (Proposed) (SCALE 1:100)



GROUND FLOOR PLAN (Proposed) (SCALE 1:100)



TERRACE FLOOR PLAN (SCALE 1:100)



SECTION OF SEPTIC TANK & SOAK PIT



COLOR INDEX

| | |
|-----------------------------|--------------|
| Plot Boundary | Green |
| Adjoining Road | Red |
| Proposed Construction | Yellow |
| Common Plot | Blue |
| Road Widening Area | Orange |
| Existing (To be retained) | Light Green |
| Existing (To be demolished) | Light Yellow |

Buildingwise Floor FAR Details

| Floor Name | Building Name A (SABIR HUSSAIN) | | Total | |
|---------------|---------------------------------|---------------------------|--------------------------------------|------------------------|
| | Proposed Built Up Area (Sq.mt) | Proposed FAR Area (Sq.mt) | Total Proposed Built Up Area (Sq.mt) | Total FAR Area (Sq.mt) |
| Ground Floor | 203.27 | 203.27 | 203.27 | 203.27 |
| First Floor | 245.20 | 245.20 | 245.20 | 245.20 |
| Terrace Floor | 0.00 | 0.00 | 0.00 | 0.00 |
| Total | 448.47 | 448.47 | 448.47 | 448.47 |

Building USE/SUBUSE Details

| Building Name | Building Use | Building SubUse | Building Structure |
|-------------------|--------------|----------------------------|--------------------|
| A (SABIR HUSSAIN) | Residential | Other Residential Building | Non-Highrise |

FAR & Tenement Details (Table 4c-1)

| Building | No. of Same Bldg | Total Built Up Area (Sq.mt) | Proposed FAR Area (Sq.mt) | Total FAR Area (Sq.mt) | Total Consumed Additional FAR Area (Sq.mt) | Tenmt (No.) |
|--------------------|------------------|-----------------------------|---------------------------|------------------------|--|-------------|
| A (SABIR HUSSAIN) | 1 | 448.47 | 448.47 | 448.47 | 448.47 | 01 |
| Grand Total | 1 | 448.47 | 448.47 | 448.47 | 448.47 | 01 |

Building :A (SABIR HUSSAIN)

| Floor Name | Total Built Up Area (Sq.mt) | Proposed FAR Area (Sq.mt) | Total FAR Area (Sq.mt) | Total Consumed Additional FAR Area (Sq.mt) | Tenmt (No.) |
|---------------|-----------------------------|---------------------------|------------------------|--|-------------|
| Ground Floor | 203.27 | 203.27 | 203.27 | 203.27 | 01 |
| First Floor | 245.20 | 245.20 | 245.20 | 245.20 | 01 |
| Terrace Floor | 0.00 | 0.00 | 0.00 | 0.00 | 00 |
| Total | 448.47 | 448.47 | 448.47 | 448.47 | 01 |

SCHEDULE OF DOOR:

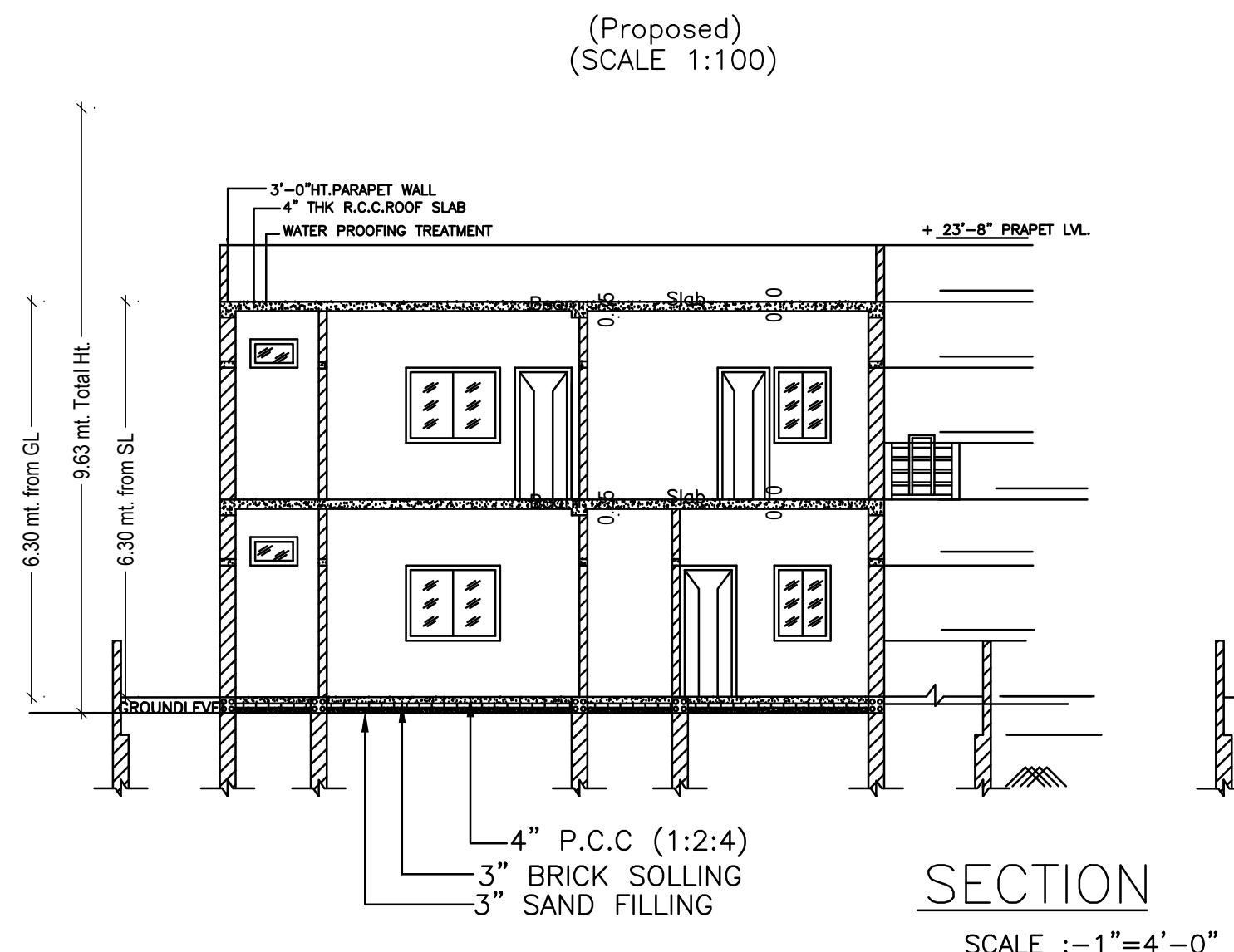
| BUILDING NAME | NAME | LENGTH | HEIGHT | NOS |
|-------------------|------|--------|--------|-----|
| A (SABIR HUSSAIN) | D2 | 0.75 | 2.13 | 10 |
| A (SABIR HUSSAIN) | D1 | 0.90 | 2.13 | 14 |
| A (SABIR HUSSAIN) | D | 0.95 | 2.13 | 12 |

SCHEDULE OF WINDOW/VENTILATION:

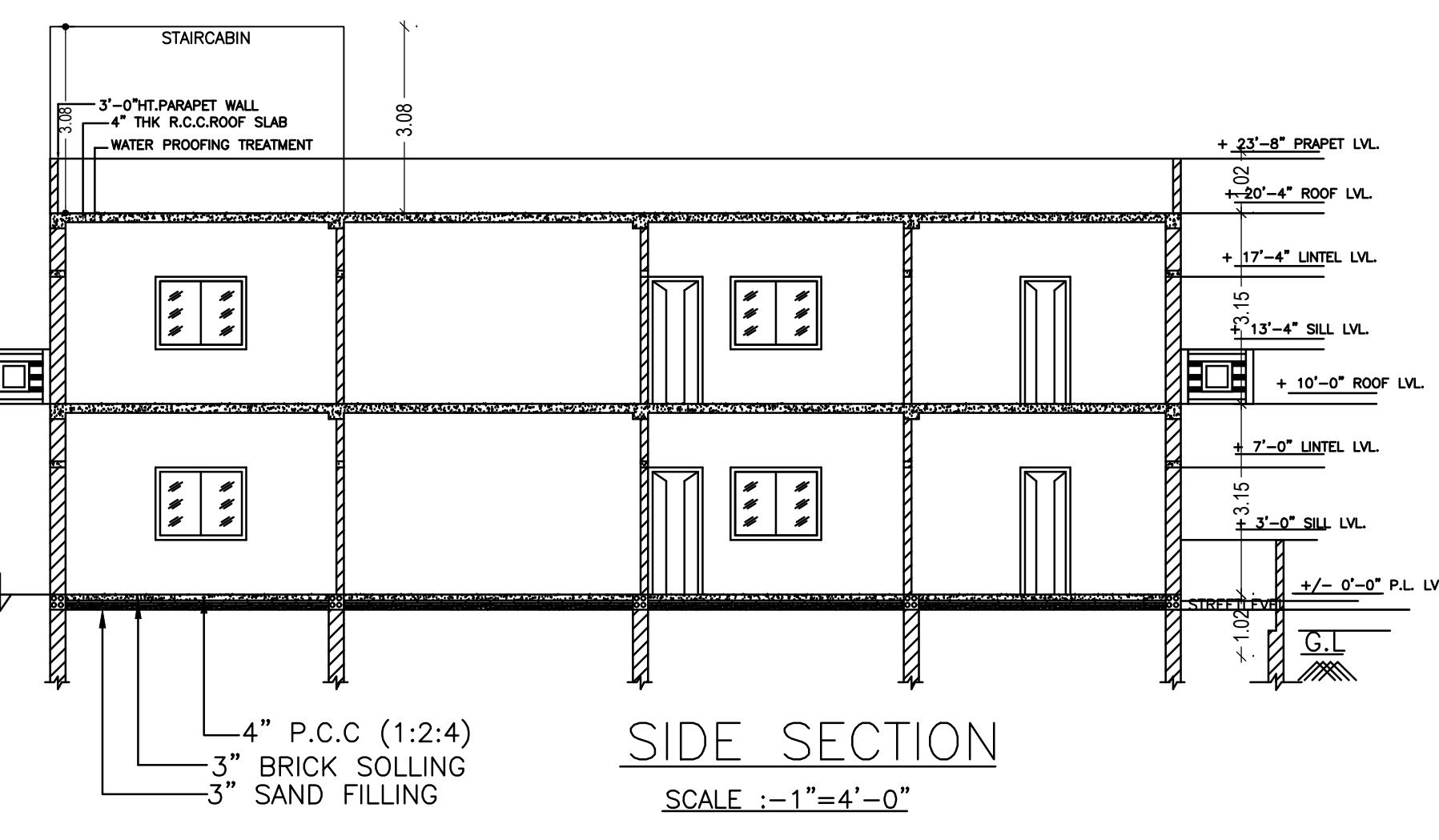
| BUILDING NAME | NAME | LENGTH | HEIGHT | NOS |
|-------------------|------|--------|--------|-----|
| A (SABIR HUSSAIN) | V | 0.75 | 2.70 | 09 |
| A (SABIR HUSSAIN) | W2 | 1.20 | 2.70 | 02 |
| A (SABIR HUSSAIN) | W1 | 1.50 | 2.70 | 02 |
| A (SABIR HUSSAIN) | W | 2.00 | 2.70 | 17 |

UnitBUA Table for Building :A (SABIR HUSSAIN)

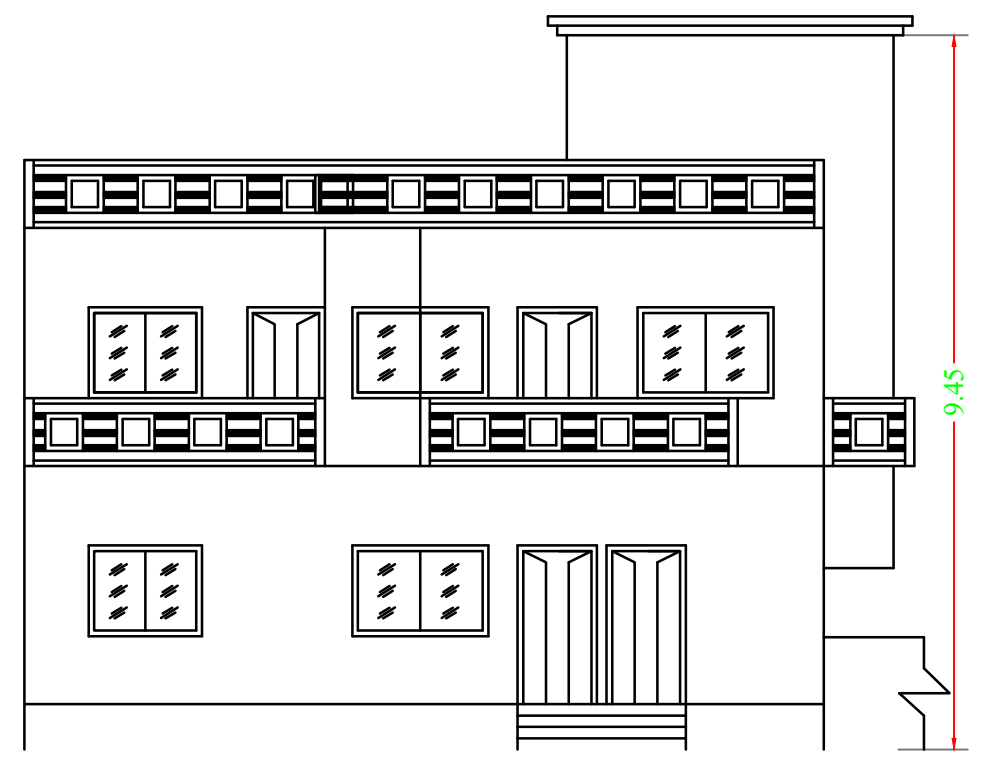
| FLOOR | Name | UnitBUA Type | UnitBUA Area | Carpet Area | No. of Rooms | No. of Tenement |
|-------------------|---------|--------------|---------------|---------------|--------------|-----------------|
| FIRST FLOOR | PLAN | FLAT | 0.00 | 0.00 | 20 | 0 |
| GROUND FLOOR PLAN | SPLIT A | FLAT | 397.66 | 397.31 | 13 | 1 |
| Total | - | - | 397.66 | 397.31 | 33 | 1 |



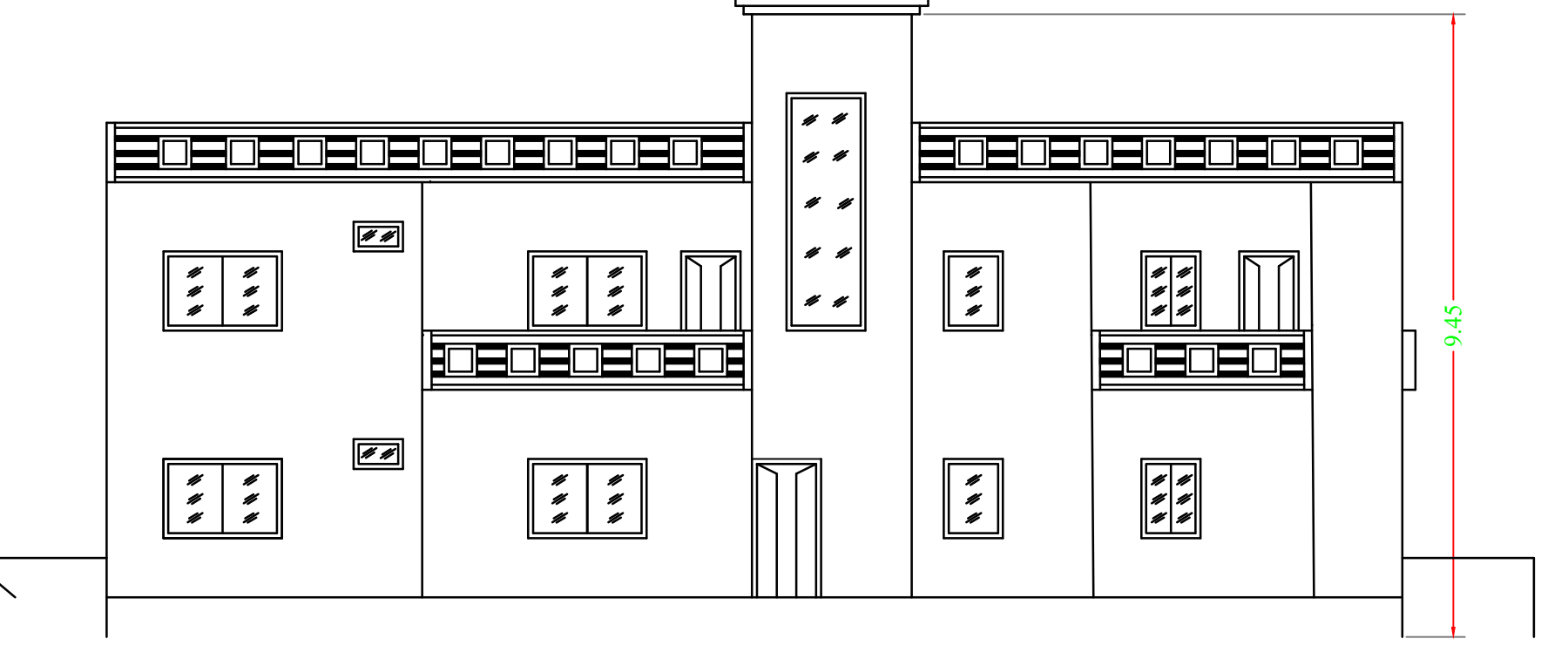
SECTION (SCALE 1:100)



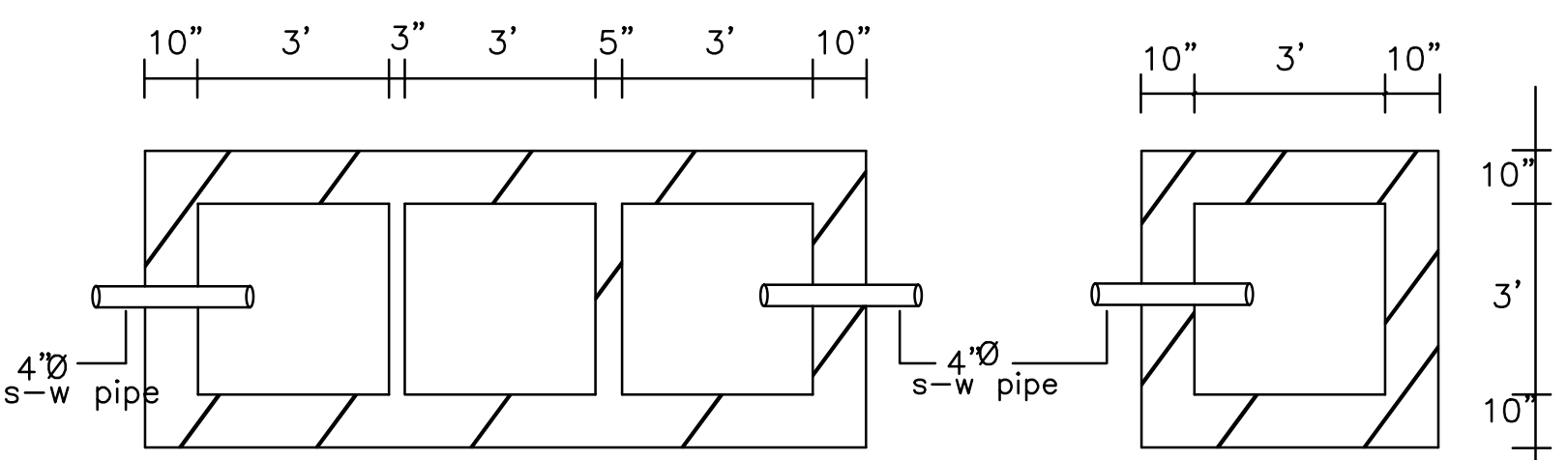
SIDE SECTION (SCALE 1:100)



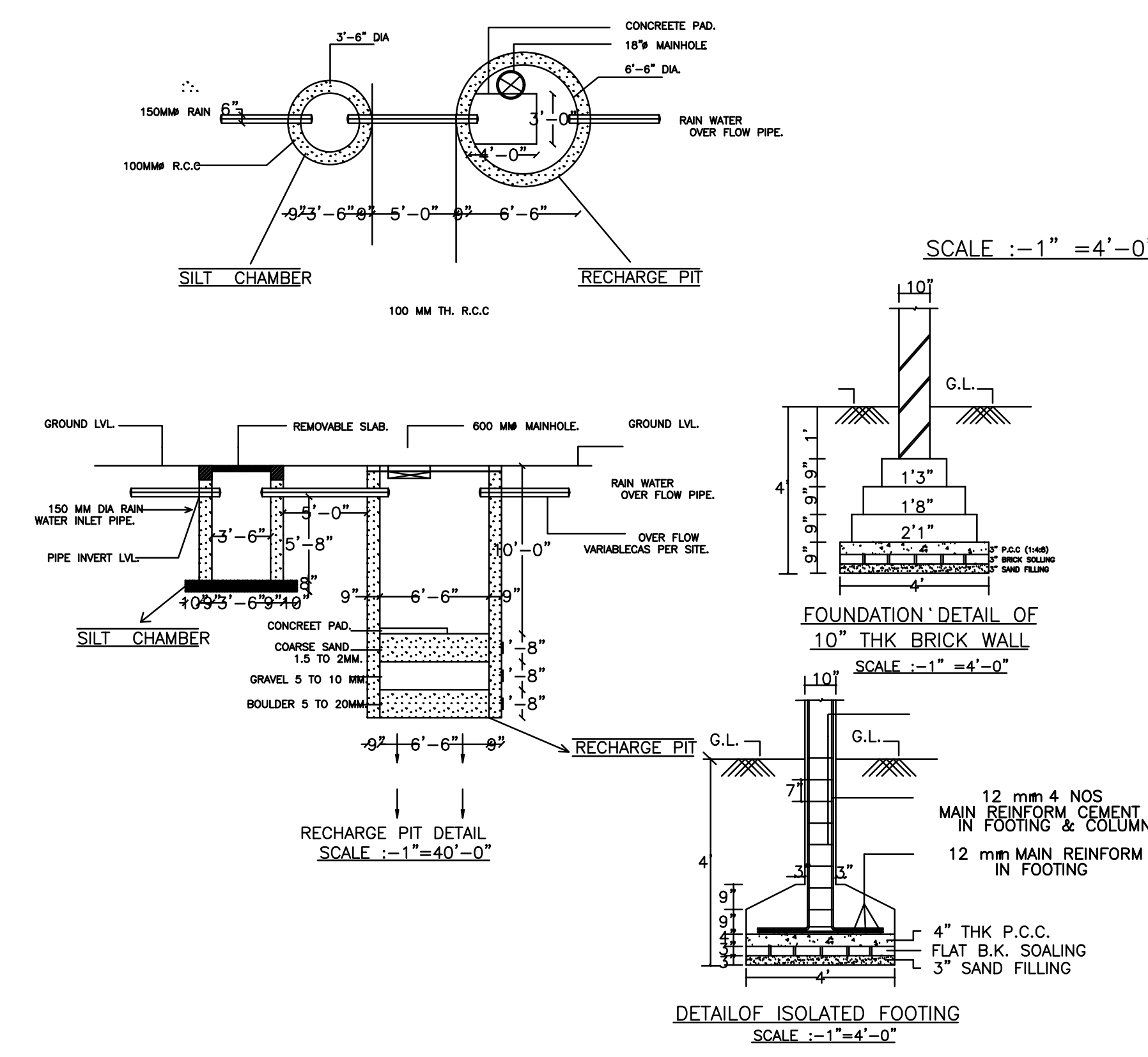
FRONT ELEVATION (SCALE 1:100)



SIDE ELEVATION (SCALE 1:100)



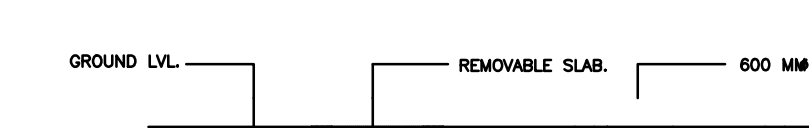
PLAN OF SEPTIC TANK & SOAK PIT (SCALE 1:100)



FOUNDATION DETAIL OF 10 THK BRICK WALL (SCALE 1:100)



RECHARGE PIT DETAIL (SCALE 1:100)



RECHARGE PIT DETAIL (SCALE 1:100)

DETAIL OF ISOLATED FOOTING (SCALE 1:100)

LTP NAME AND SIGNATURE: Jyeshtha Kumar
 STRUCTURAL ENGS NAME AND SIGNATURE: RNP/ARCC001/2016
 BUILDER NAME AND SIGNATURE: _____
 DIGITAL SIGNATURE: _____