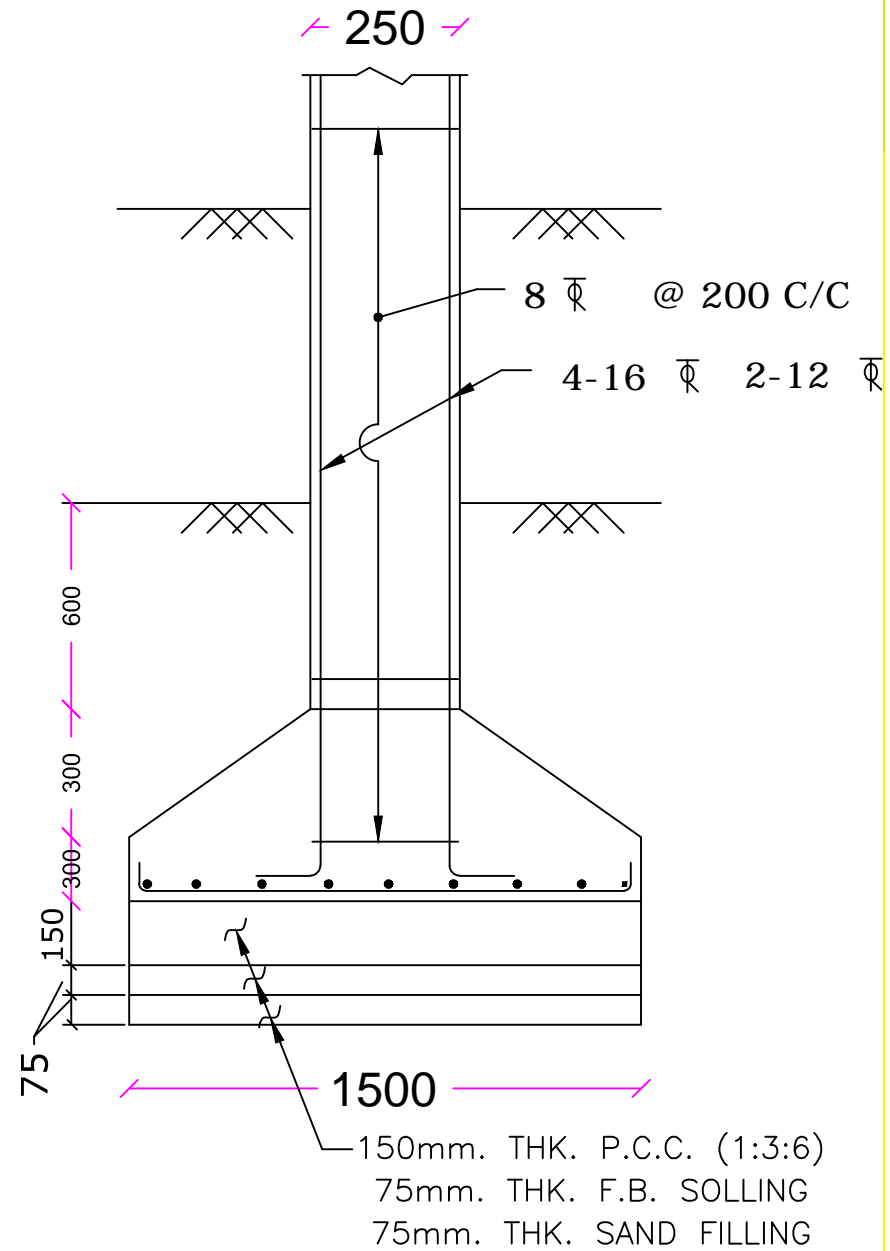


**FOUNDATION PLAN
OF COLUMN**



SECTION 4-4