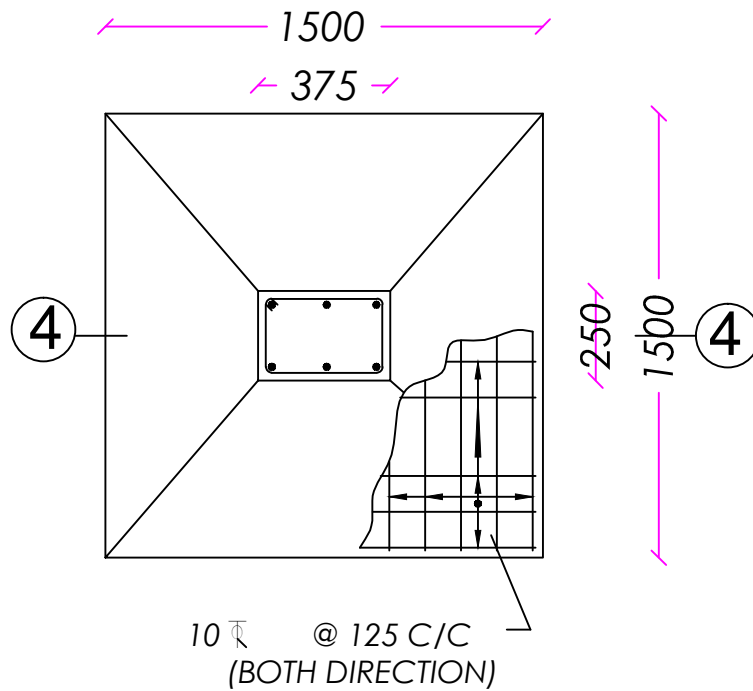


SECTION 4-4



**FOUNDATION PLAN
OF COLUMN**