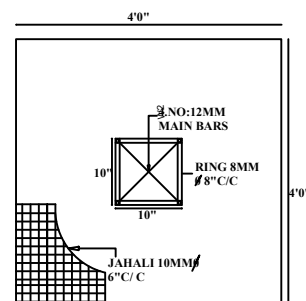


RCC COLUMN DETAIL



Structure Detail
RCC COLUMN FOOTING PLAN
SCALE :-1"=2'-0"