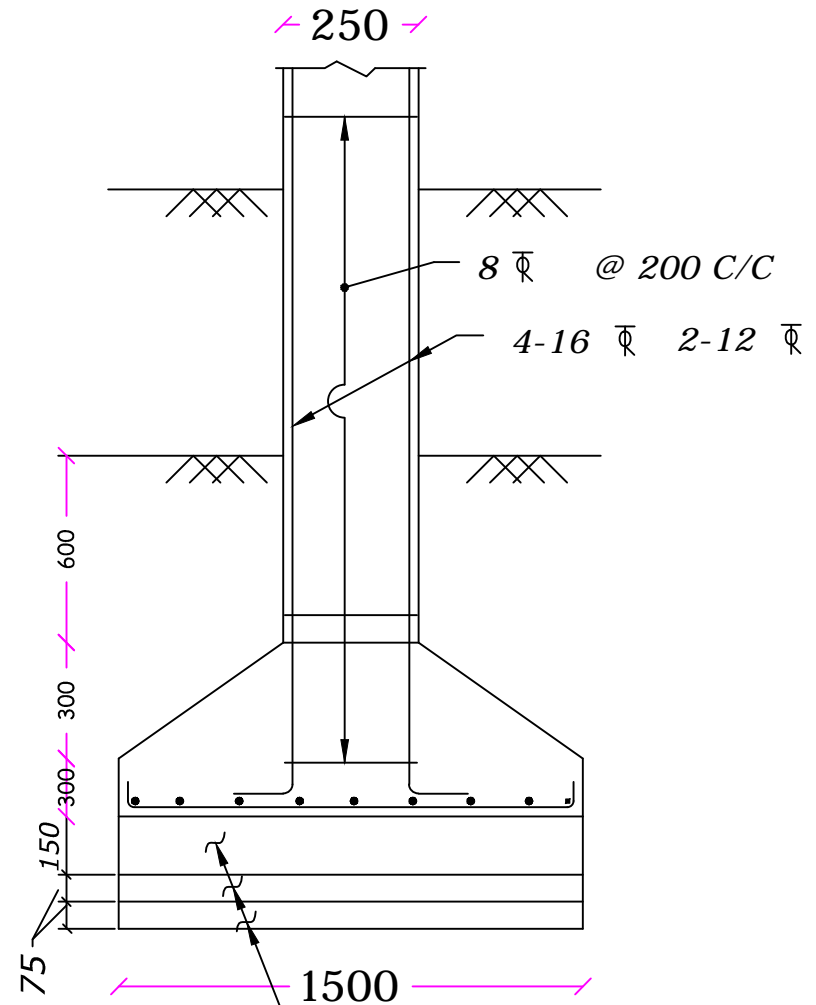


FOUNDATION PLAN
OF COLUMN



150mm. THK. P.C.C. (1:3:6)
75mm. THK. F.B. SOLLING
75mm. THK. SAND FILLING

SECTION 4-4