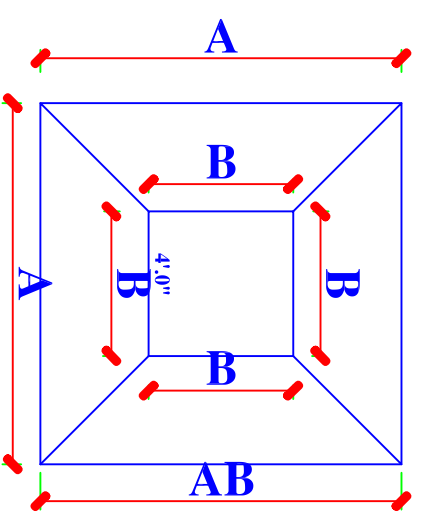
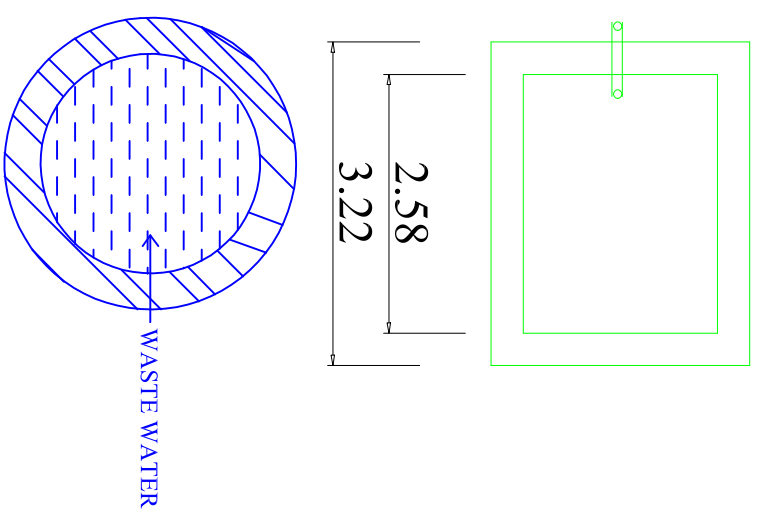
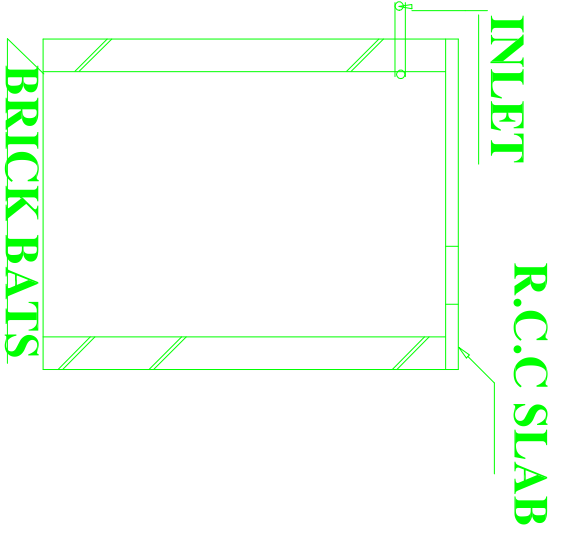
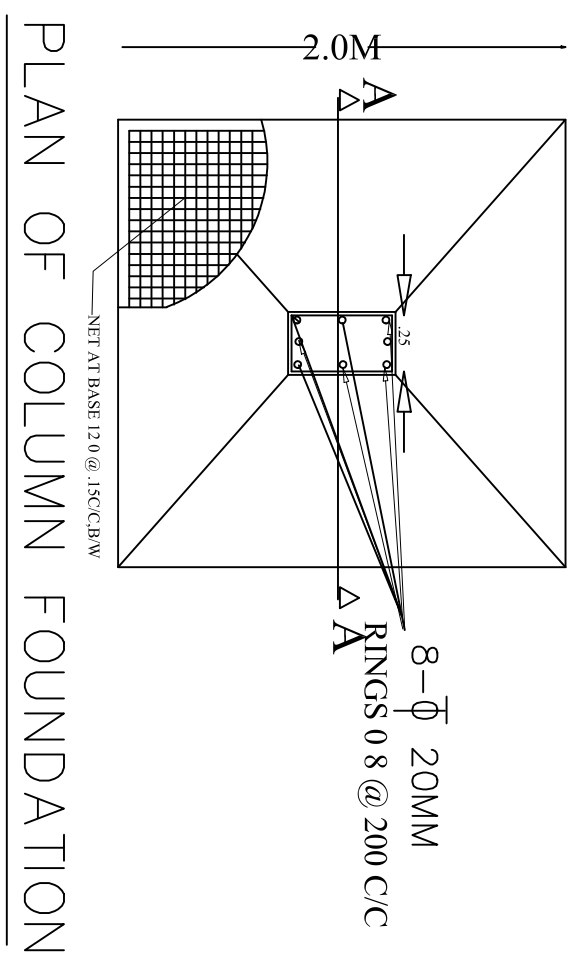
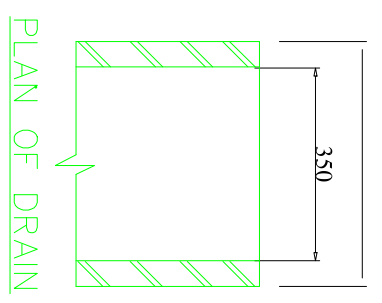


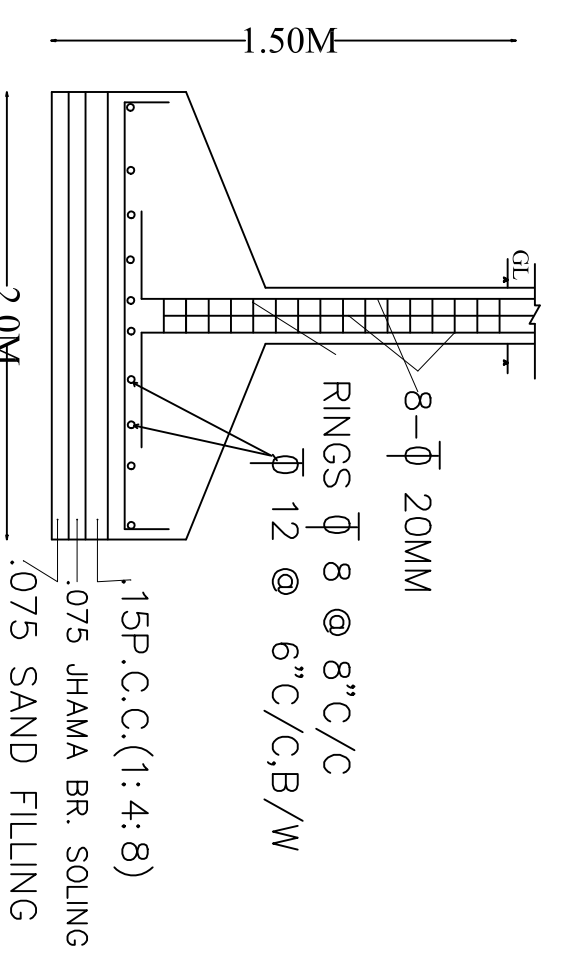
(SCALE 1:50)



A: 2 RECHARGING PITS REQUIRE OF 150 SQ.FT. WITH 6-7 CUM CAPACITY WATER SETTLING TANK WITH EACH RECHARGE PIT
B: 16 SQ.FT.



SCALE = 1:50



SECTION ON A-A
SCALE= 1:50