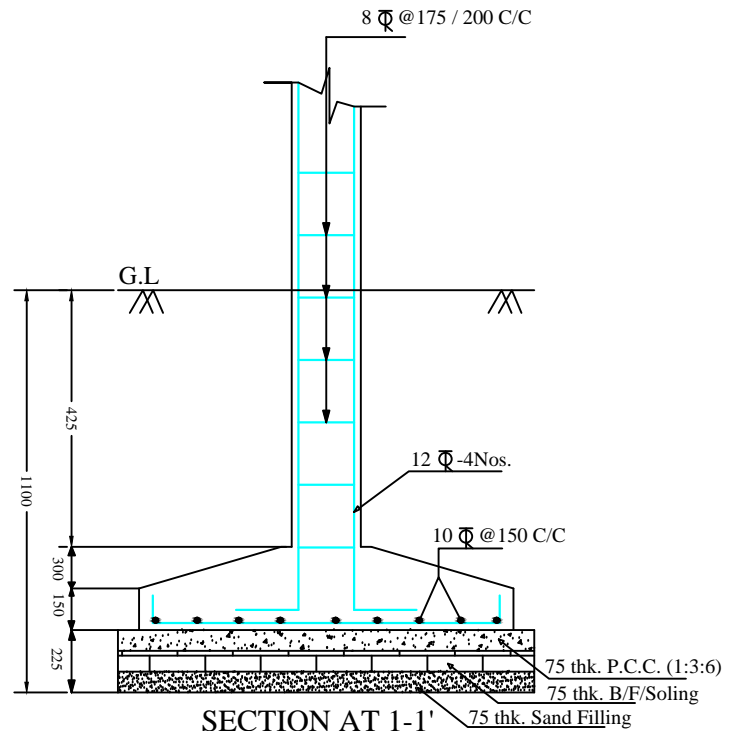


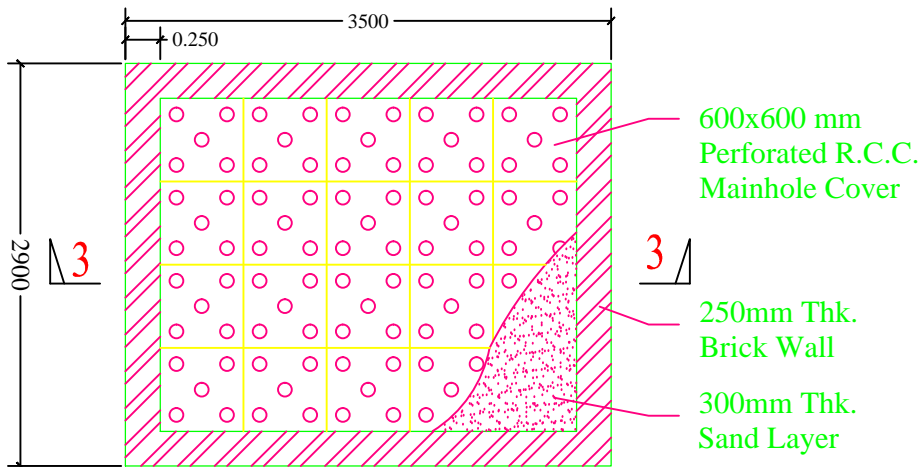
**SECTION '3-3'**

Scale - (1:50)



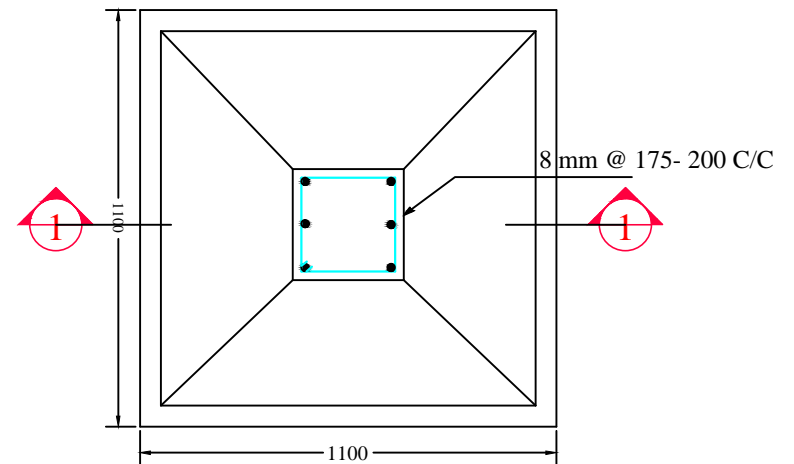
**SECTION AT 1-1'**

SCALE - 1:25



**PLAN OF RAIN WATER RECHARGE PIT**

Scale - (1:50)



**TYPICAL FOUNDATION**

SCALE - 1:25