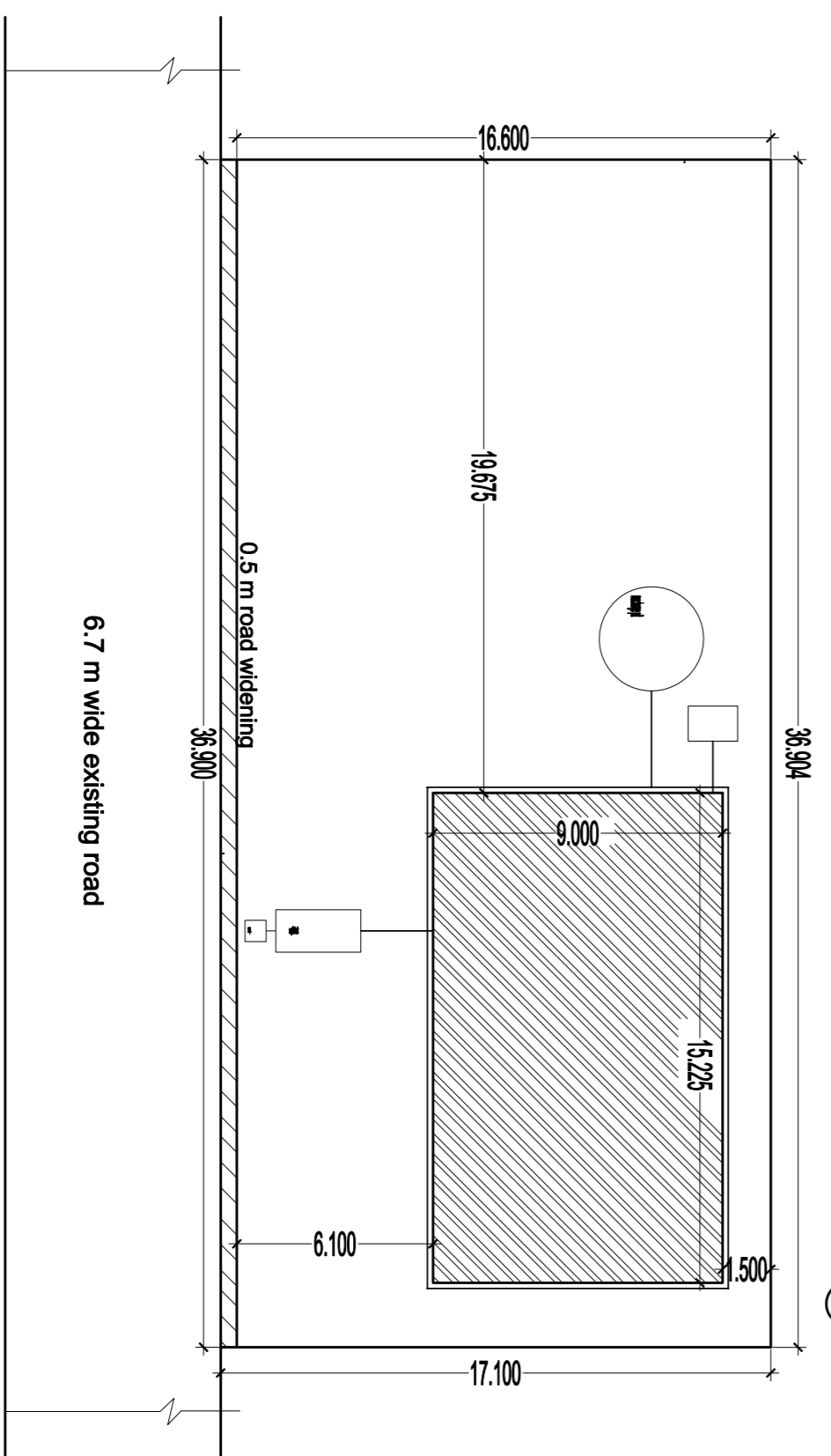
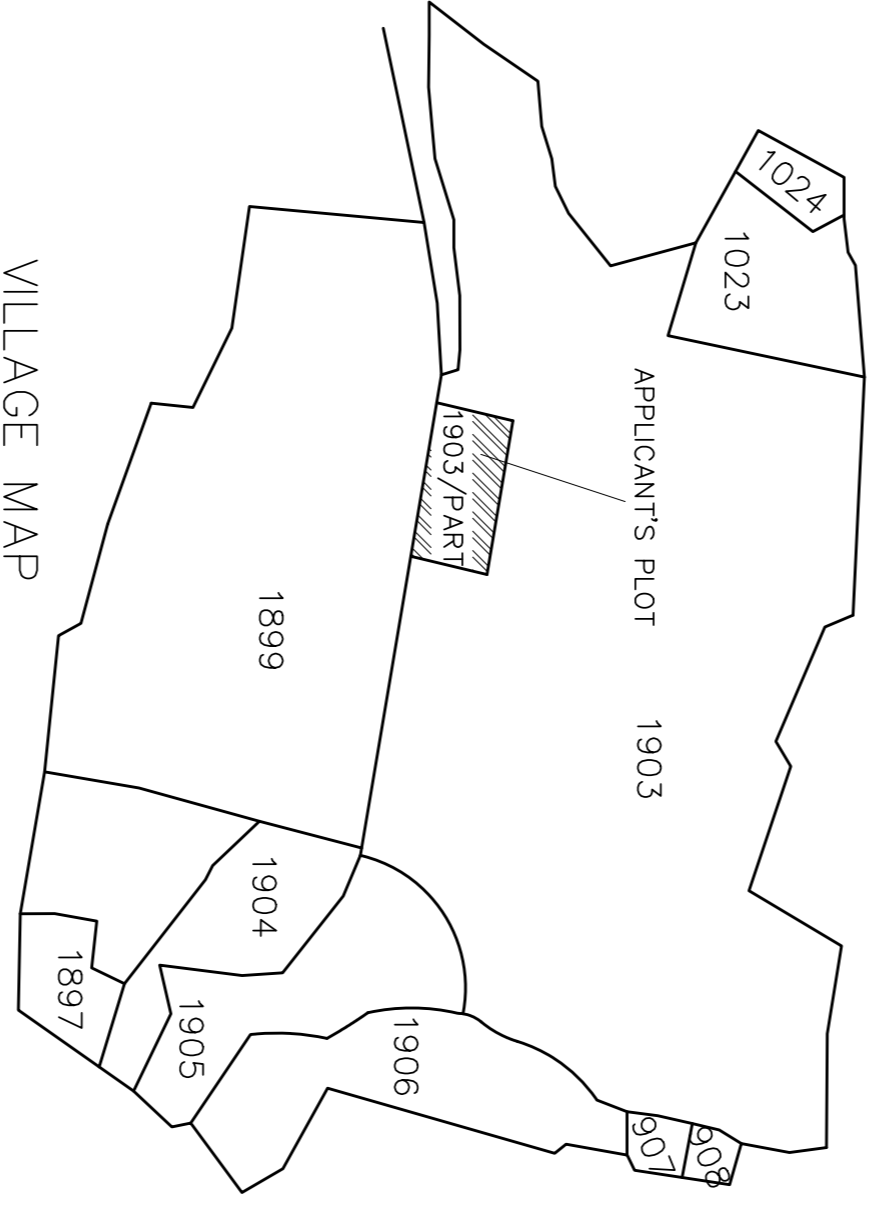
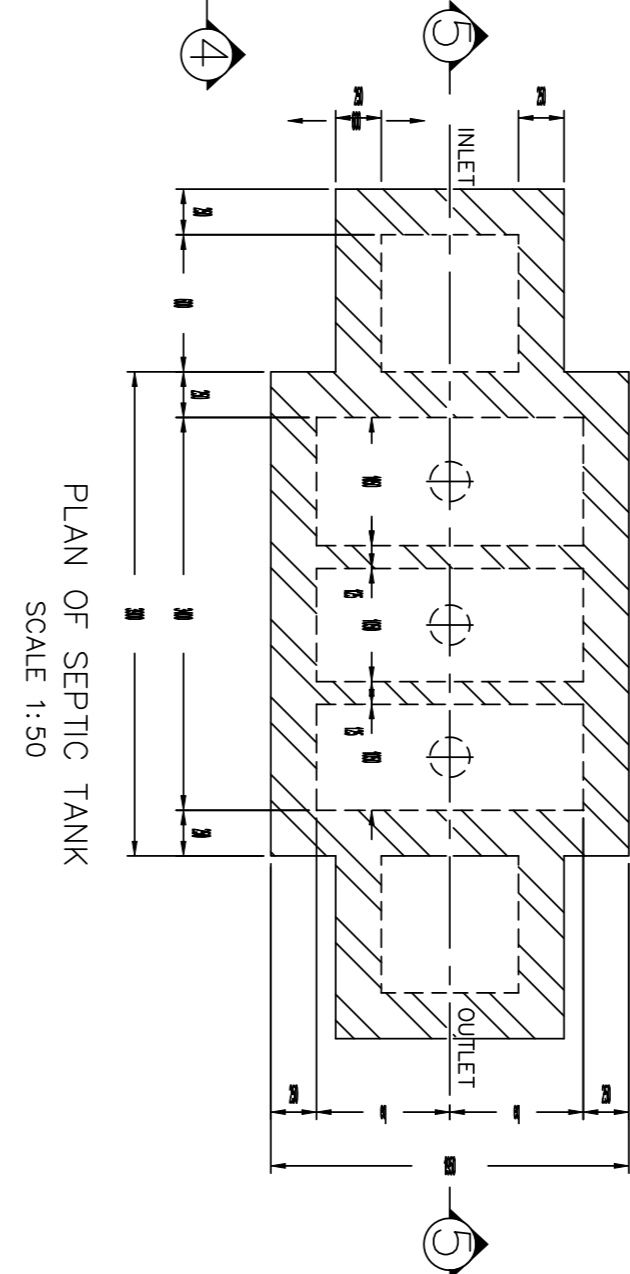
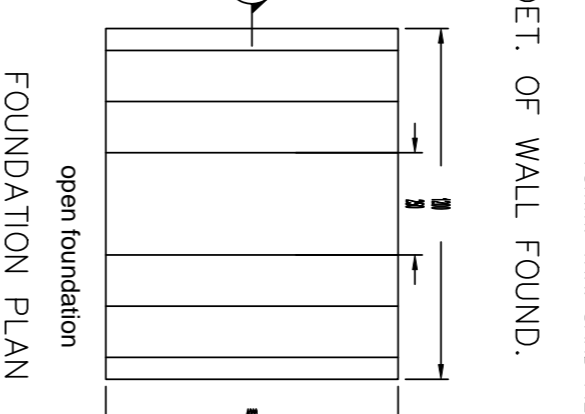
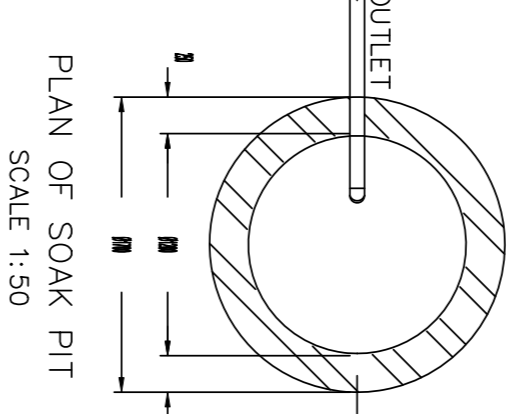
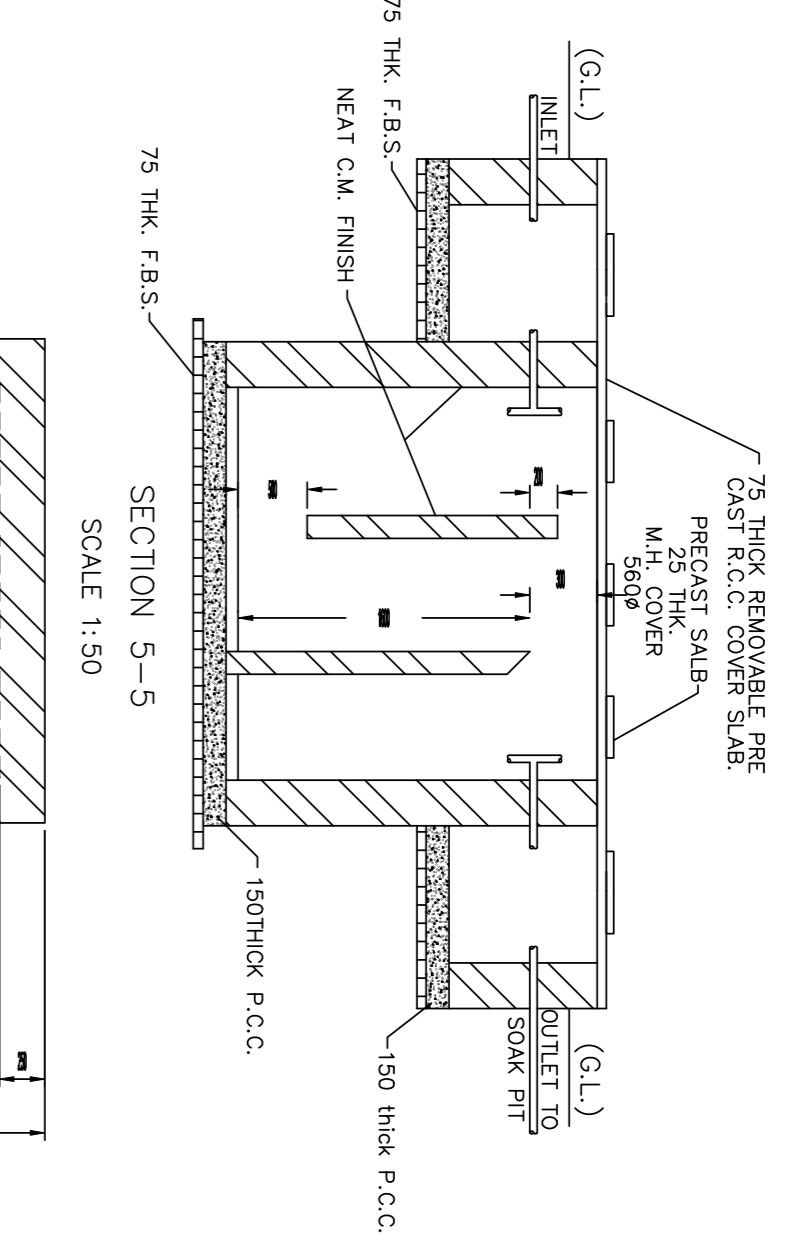
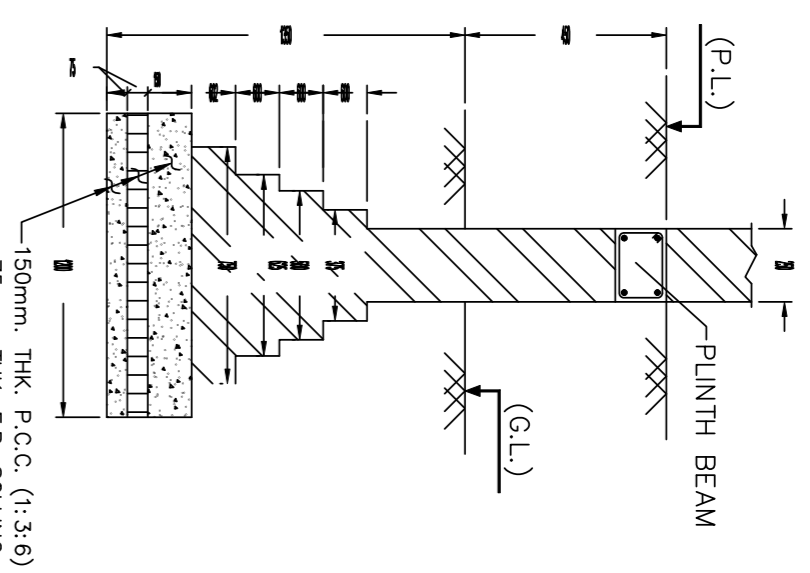
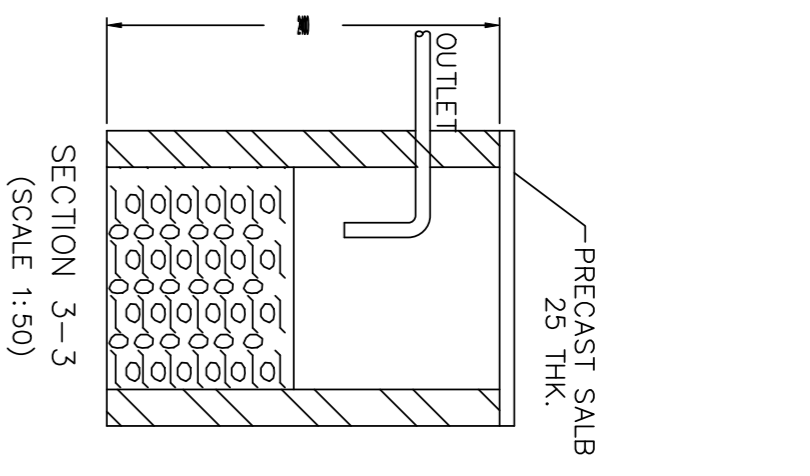
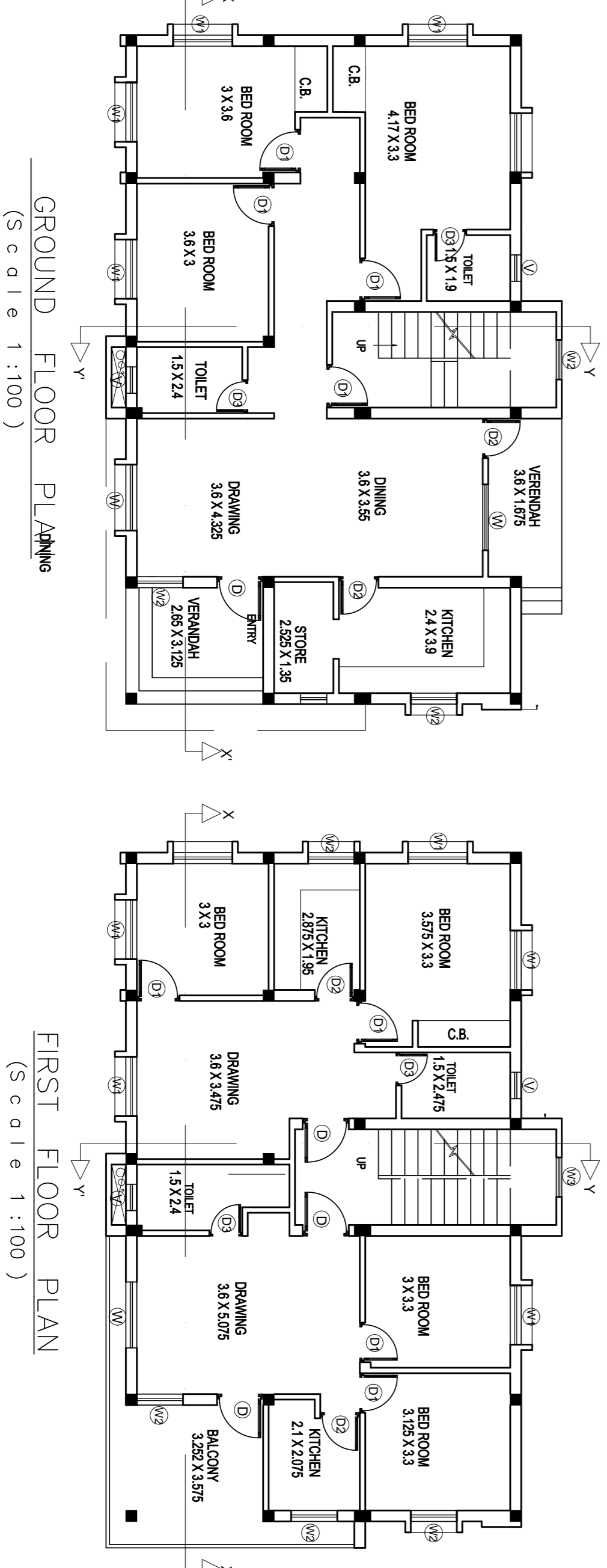


SECTION Y-Y
Scale 1:100

SECTION X-X
Scale 1:100



SITE PLAN
Scale 1:200

LEGEND:
Rain water line
Waste water line
Sewer line

SPECIFICATION

- FOUNDATION: R.C.C. FOUNDATION AS PER STRUCTURAL DESIGN
- 75 TH SAND FILLING IN FOUNDATION TRENCHES.
- 75 TH BRICK FLAT SOLING OVER SAND FILLING.
- 125 MM TH. CEM. CONC. (1:2:8) IN FOUNDATION TRENCHES
- 150 MM TH. DAMP PROOF COURSE AT PLINTH LEVEL.
- 250 MM TH. CLASS BRICK WORK IN CEM. MORTAR (1:8) IN FOUNDATION SUPER STRUCT.
- 7.250 MM TH. 157.7 CLASS BRICKWORK IN CEM. MORTAR (1:8) AT SUPER STRUCT.
- R.C.C. LINTELS CHALAN IN CEM. MORTAR (1:2:4)
- 250 MM IN R. C. C. SHELVES IN CEM. MORTAR (1:2:4)
- R.C. C. BEAMS IN CEM. MORTAR (1:2:4)
- 11.100 MM TH. R.C.C. SHELVES IN CEM. MORTAR (1:2:4)
- 12.250 X 20 X 6 RC IN HOLDFAST FIXED WITH CEM. MORTAR (1:2:4)
- 13.65 X 125 SALWOOD CHOKWASTI STEEL FOR ALL DOORS WINDOWS
- 14.30 MM GAMBAR WOOD/STEEL WINDOW SHUTTER GLAZED
- 15.25 MM TH. GAMBAR WOOD WINDOW SHUTTER GLAZED
- 16.125 MM TH. CEM. PLASTER (1:8) OVER EXTERNAL SURFACE OF THE WALL
- 17.25MM TH. CEM. PLASTER (1:8) OVER INTERNAL SURFACE OF THE WALL

WATER TANK CALCULATIONS
No. of units = 2
assuming 5 persons per unit
total population in building = 10
taking consumption of water as
per N.B.C. as 135 l/p.c.d.
Vol. of water required = 135x10
(1.35 cum.m)
Vol. of water tank provided
= 1.5 cum.m.

SCHEDULE OF OPENINGS

Sl. No.	TYPE	WIDTH	HT.	SILL	DISCRPTION
1	D	1050	2100	-	Soil frame
2	D1	975	2100	-	Single leaf door
3	D2	900	2100	-	"
4	D3	750	2100	900	"
5	W	1500	1200	900	Fully gressed steel window
6	W1	1350	1200	900	"
7	W2	1050	1200	900	"
8	V	600	600	1550	"

AREA STATEMENT

Plot Area = 390.00 sq.m.
Road Widening = nil
Area After Road Widening = 390.00 sq.m.
Proposed Area on GR. Floor = 102.23 sq.m.
Proposed Area on First Floor = 102.23 sq.m.
TOTAL = 204.46 sq.m.
F.A.R. CALCULATION = 390.00/204.46 sq.m.
F.A.R. = 1.90
GROUND COVERAGE = 26.21%

PROPOSED BUILDING

Orientation	Orientation	Orientation	Orientation
North	North	North	North
SW/TA	SW/TA	SW/TA	SW/TA
SW/TA	SW/TA	SW/TA	SW/TA
SW/TA	SW/TA	SW/TA	SW/TA

OWNER

ARCHITECT/ENG	
---------------	--