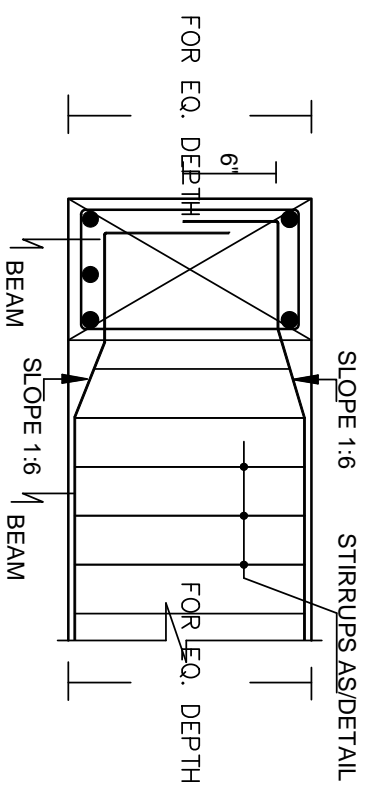
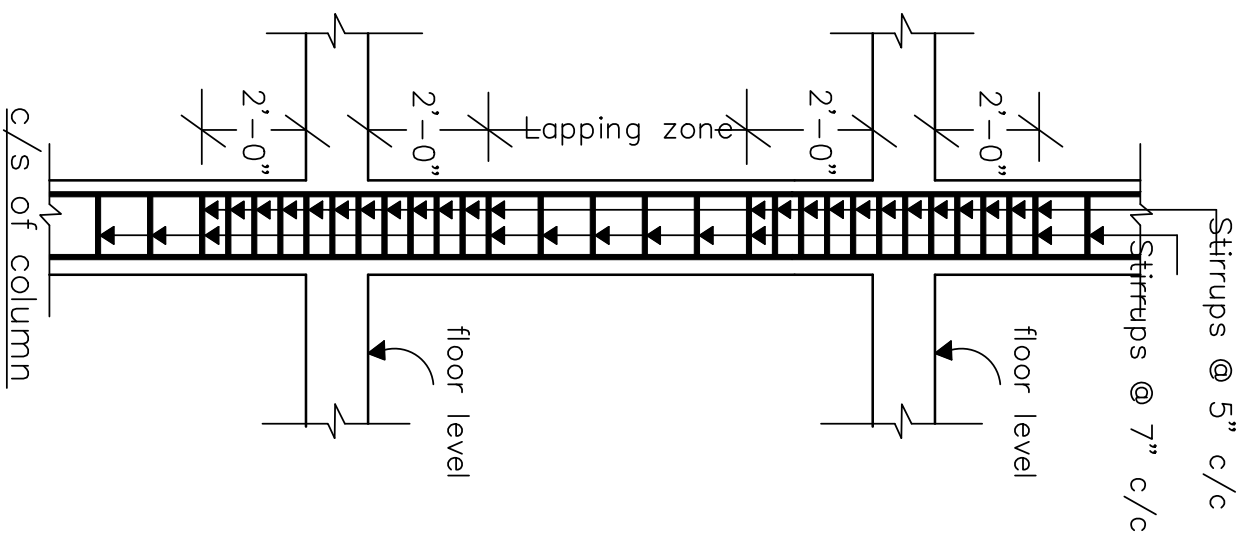
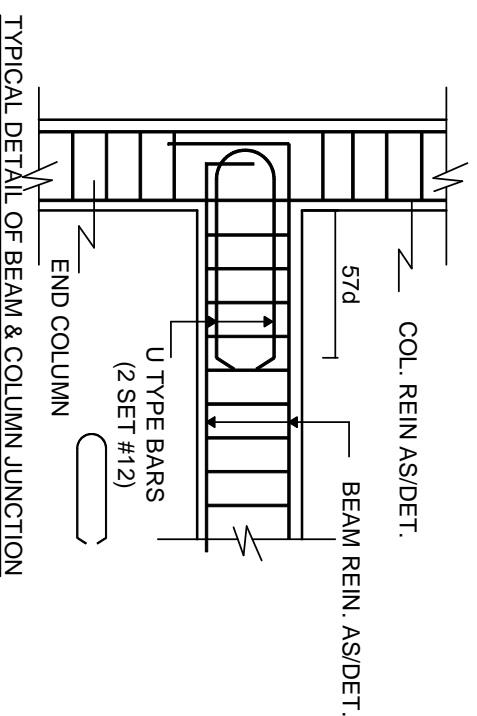


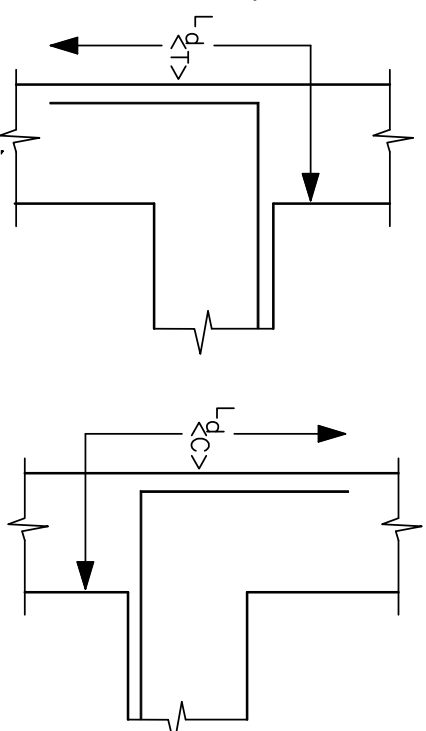
FOUNDATION DETAIL



TYPICAL DETAIL OF BEAM TO BEAM JUNCTION



TYPICAL DETAIL OF BEAM & COLUMN JUNCTION



C/S of column & beam for development length in Tension

C/S of column & beam for development length in Compression