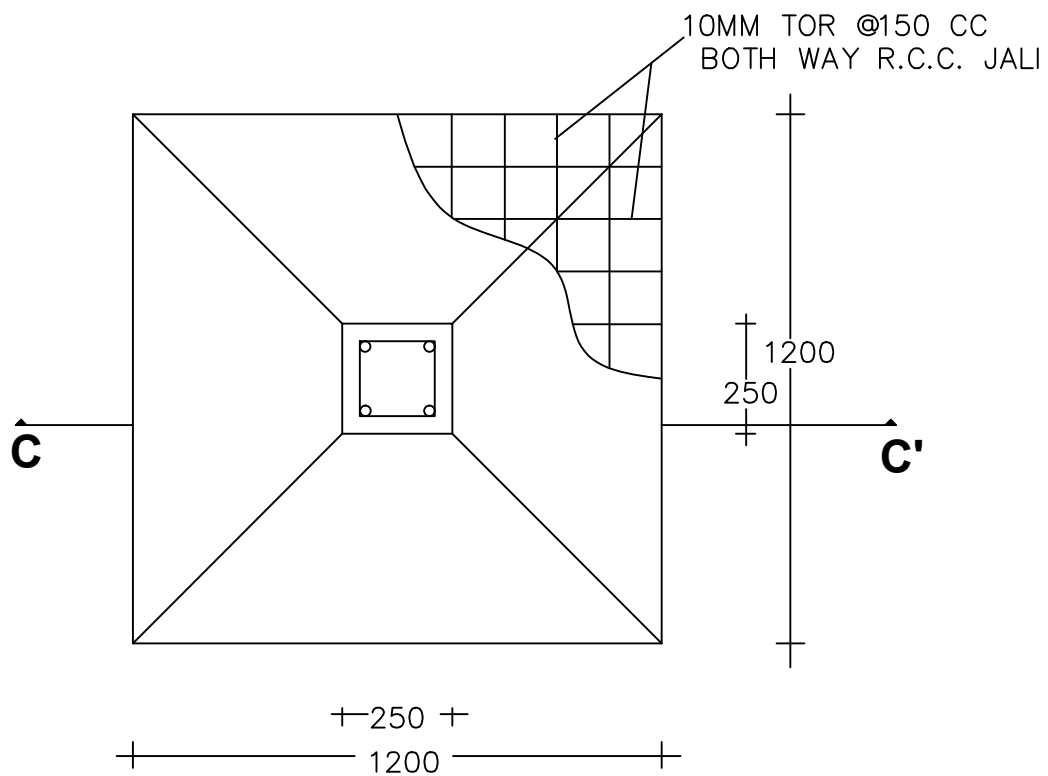


**SECTION C-C'**



**PLAN**

**DETAIL OF FOUNDATION**