

SITE PLAN

FAR & Tenement Details (Table 4c-1)

Building	No. of Same Bldg	Total Built Up Area (Sq.mt.)	Proposed FAR Area (Sq.mt.) Resi.	Total FAR Area (Sq.mt.)	Total Consumed Additional FAR Area (Sq.mt.)	Tnmt (No.)
A (MARY GRACE KERKETTA)	1	288.74	288.74	288.74	288.74	01
Grand Total :	1	288.74	288.74	288.74	288.74	01

Proposal Basic Information

Proposal File No.	SINPC/BP/0107/W07/2019
Owner Name	MARY GRACE KERKETTA
Khata No	80
Plot No	580
Village Name	Khijri
Use	Residential
SubUse	Residential Bldg/Apartment

AREA STATEMENT SIMDEGA NAGAR PANCHAYAT		VERSION NO: 1.0.35
PROJECT DETAIL:		VERSION DATE: 13/03/2019
Region: JHARKHAND URBAN LOCAL BODIES	Plot Use: Residential	
District: SIMDEGA	Plot SubUse: Residential Bldg/Apartment	
Authority: SIMDEGA NAGAR PANCHAYAT	PlotNearbyReligiousStructure: NA	
Inward No: SINPC/BP/0107/W07/2019	PlotSubPlot No: 580	
Application Type: General Proposal	North: -	
Project Type: Building Permission	South: -	
Nature of Development: New	East: -	
Location of Development Area: Old Area	West: -	
AREA DETAILS:		
AREA OF PLOT (Minimum)	(A)	568.43
Deduction for NetPlot Area		
Surrender Free of Cost		36.18
Total		36.18
NET AREA OF PLOT(Gross Plot Area - Deduction from Gross Plot area)	(A-Deductions)	532.25
Deduction for Balance Plot Area(from Gross Plot Area)		
Surrender Free of Cost		36.18
Common Plot		66.15
Total		102.33
BALANCE AREA OF PLOT(Net Plot Area - Recreational/Amenity space)	(A-Deductions)	466.10
PLOT AREA FOR COVERAGE(Net Plot Area)	(A-Deductions)	532.25
Plot Area for FAR (Net Plot Area + RoadWidening Area)	(A-Deductions)	568.43
COVERAGE CHECK		
Permissible Coverage area (60.00 %)		319.35
Proposed Coverage Area (27.12 %)		144.37
Total Prop. Coverage Area (27.12 %)		144.37
Balance coverage area (32.88 %)		174.98
FAR CHECK		
Perm. FAR Area (2.00)		1136.86
Total Perm. FAR area		1136.86
Residential FAR		288.75
Proposed FAR Area		288.75
Total Proposed FAR Area		288.75
Consumed FAR (Factor)		0.51
Balance FAR Area		848.11
BUILT UP AREA CHECK		
Total Proposed BuiltUp Area		288.74
ARCHITECT (Regd)		MD RAGIB SAYEED
ENGINEER (Regd)		
SUPERVISOR (Regd)		
OWNER (Regd)		MARY GRACE KERKETTA
DEVELOPMENT AUTHORITY		LOCAL BODY

COLOR INDEX	
PLOT BOUNDARY	Black
ABUTTING ROAD	Green
PROPOSED CONSTRUCTION	Red
COMMON PLOT	Yellow
ROAD WIDENING AREA	Blue
EXISTING (To be retained)	Blue
EXISTING (To be demolished)	Yellow

Buildingwise Floor FAR Details

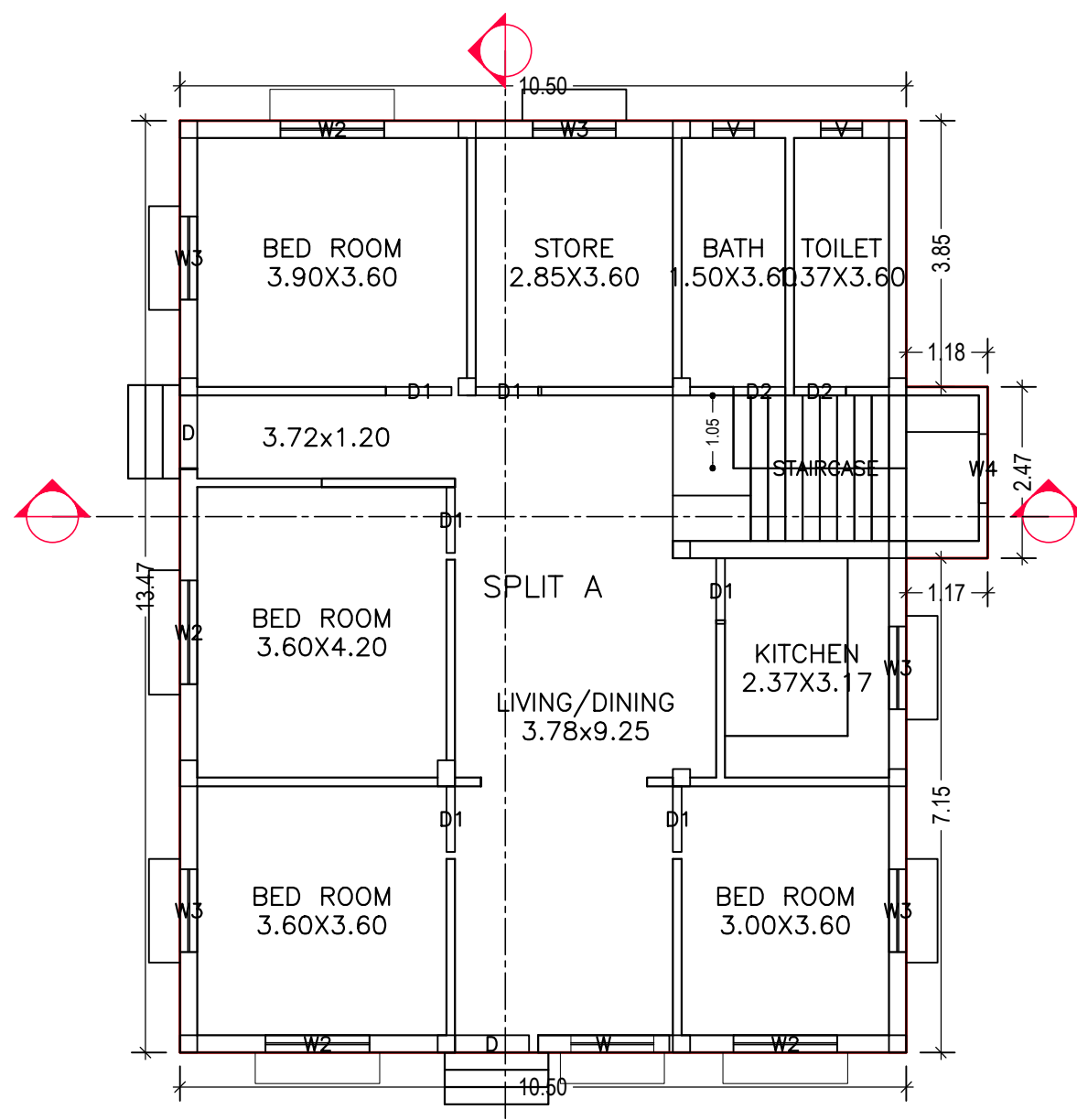
Floor Name	Building Name		Total	
	Proposed Built Up Area (Sq.mt.)	Proposed FAR Area (Sq.mt.)	Total Proposed Built Up Area (Sq.mt.)	Total FAR Area (Sq.mt.)
Ground Floor	144.37	144.37	144.37	144.37
First Floor	144.37	144.37	144.37	144.37
Terrace Floor	0.00	0.00	0.00	0.00
Total	288.74	288.74	288.74	288.74

Building USE/SUBUSE Details

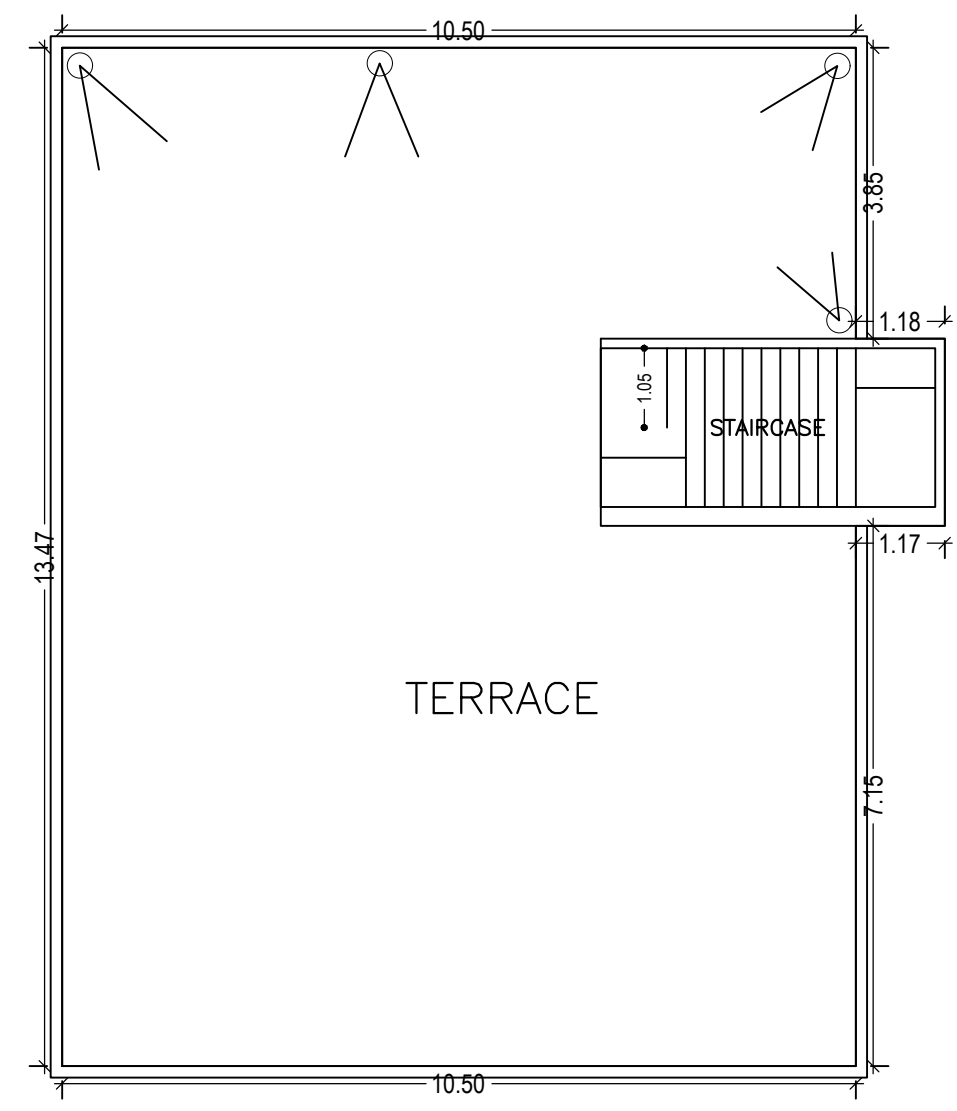
Building Name	Building Use	Building SubUse	Building Structure
A (MARY GRACE KERKETTA)	Residential	Bungalow/ Dwelling / Non Apartment	Non-Highrise

LTP NAME AND SIGNATURE	STRUCTURAL ENG'S NAME AND SIGNATURE	BUILDER NAME AND SIGNATURE	DIGITAL SIGNATURE
MD RAGIB SAYEED SINPC/ENG/0001/2017			

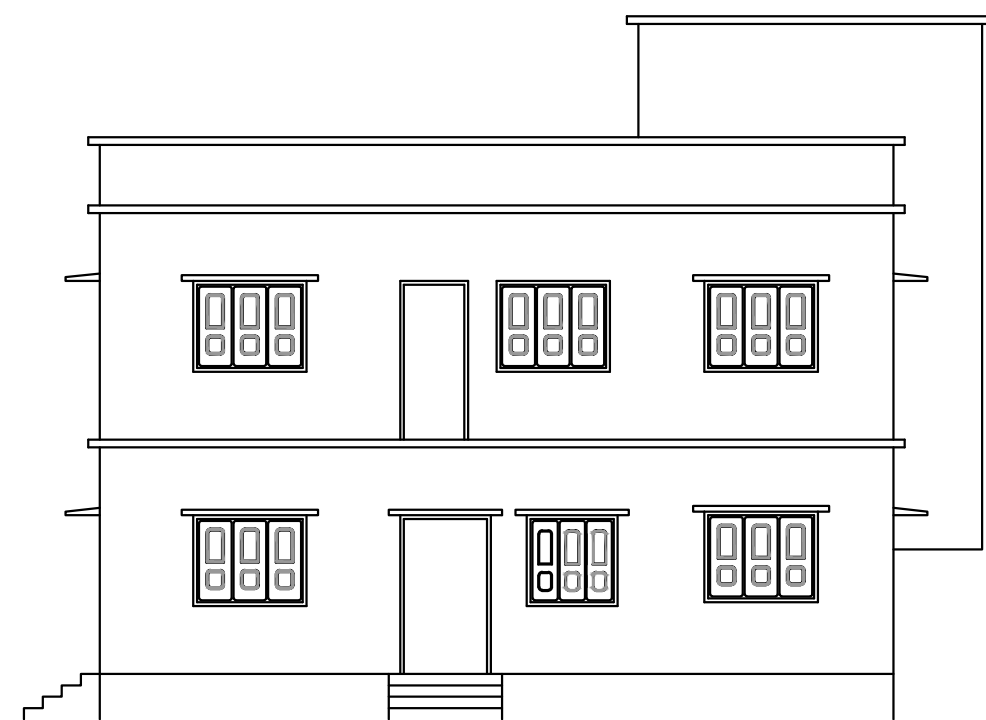
Proposal Basic Information	
Proposal File No.	SINPC/BP/0107/W07/2019
Owner Name	MARY GRACE KERKETTA
Khata No	80
Plot No	580
Village Name	Khijiri
Use	Residential
SubUse	Residential Bldg/Apartment



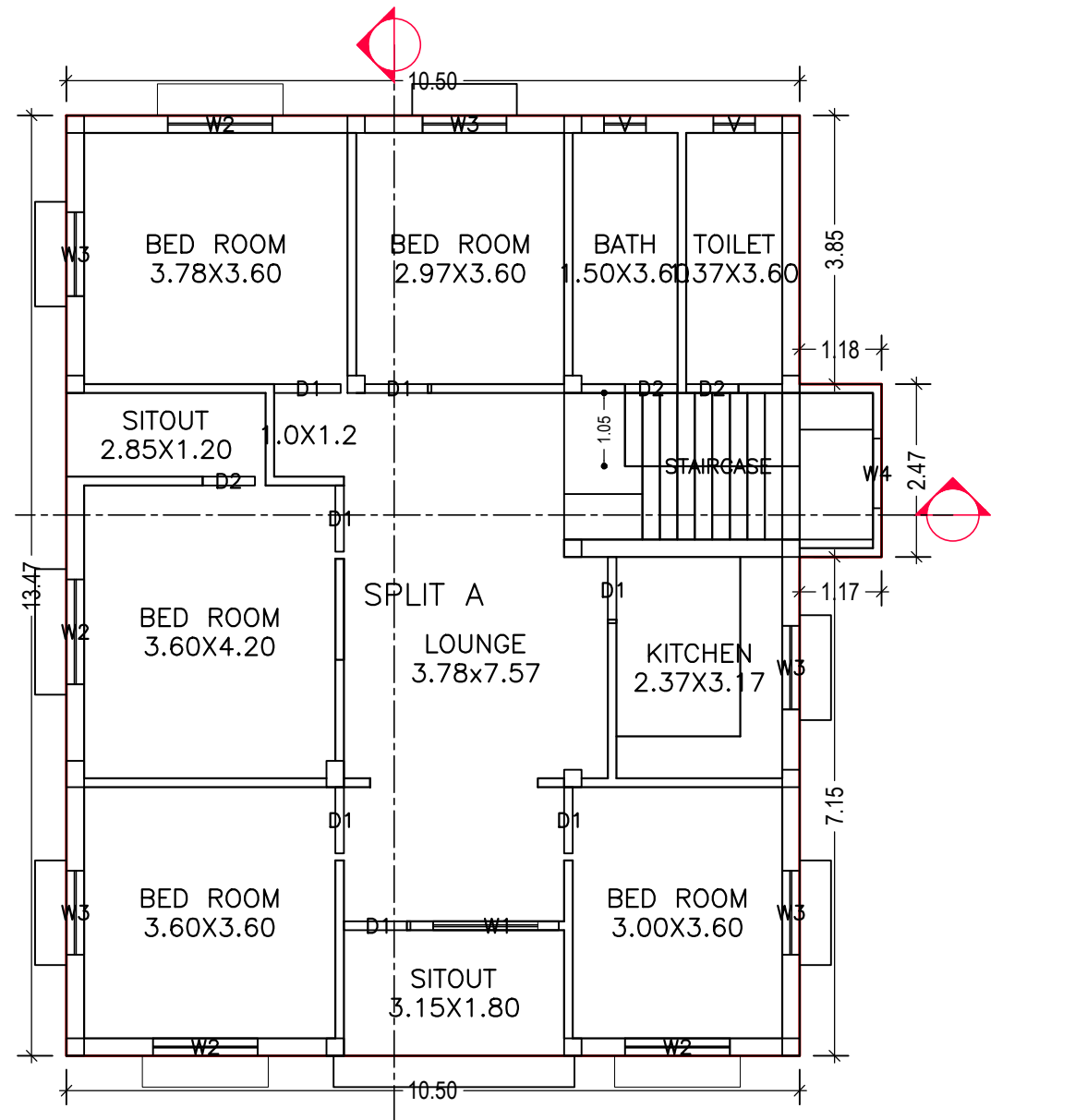
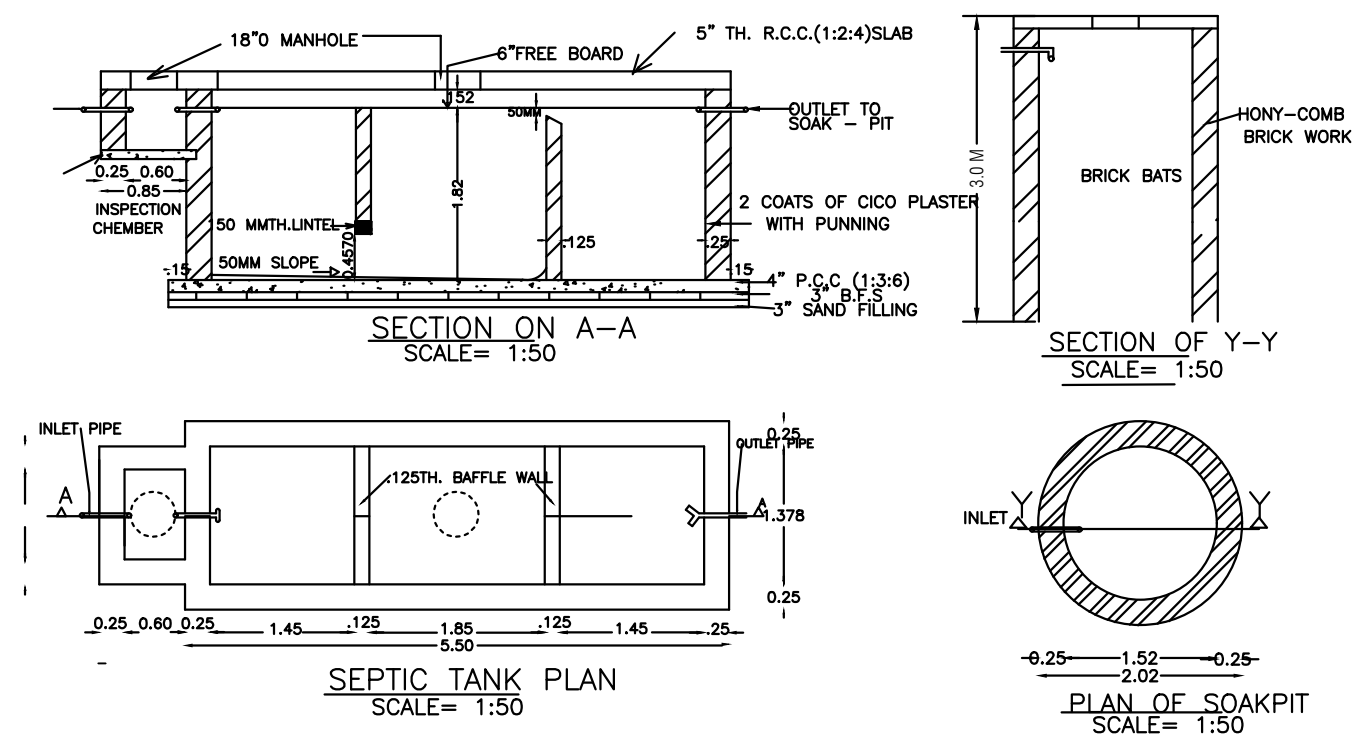
GROUND FLOOR PLAN (Proposed) (SCALE 1:100)



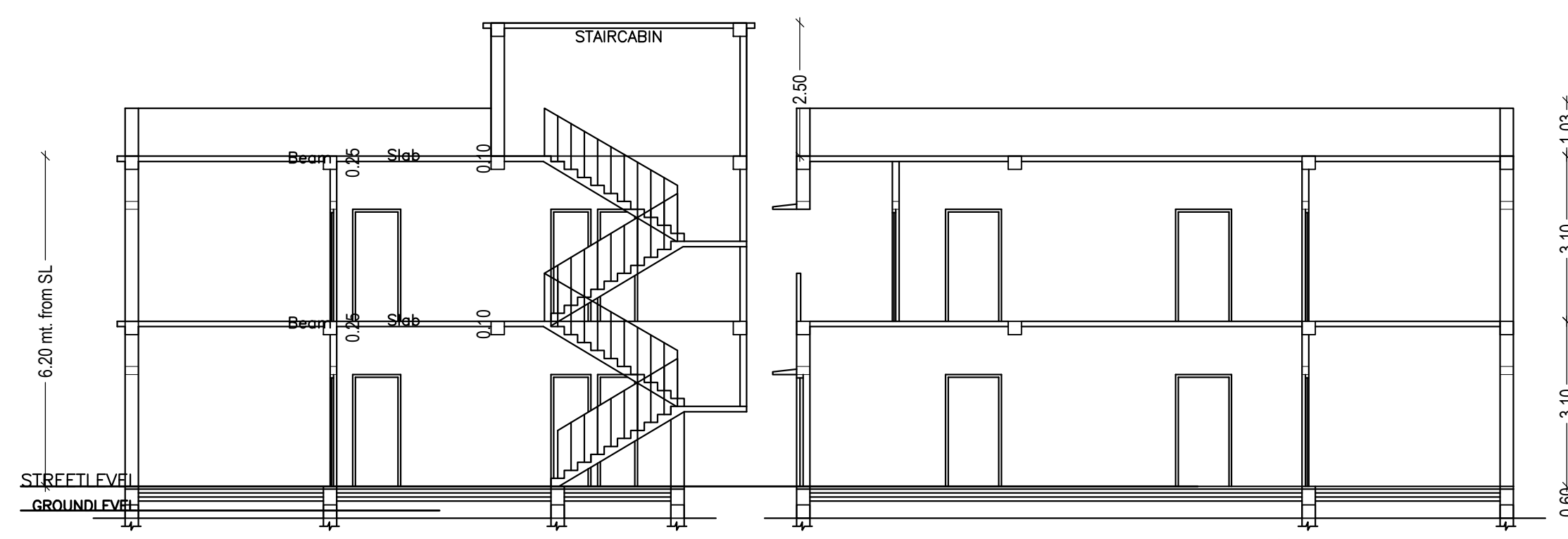
TERRACE FLOOR PLAN (SCALE 1:100)



FRONT ELEVATION 1:100

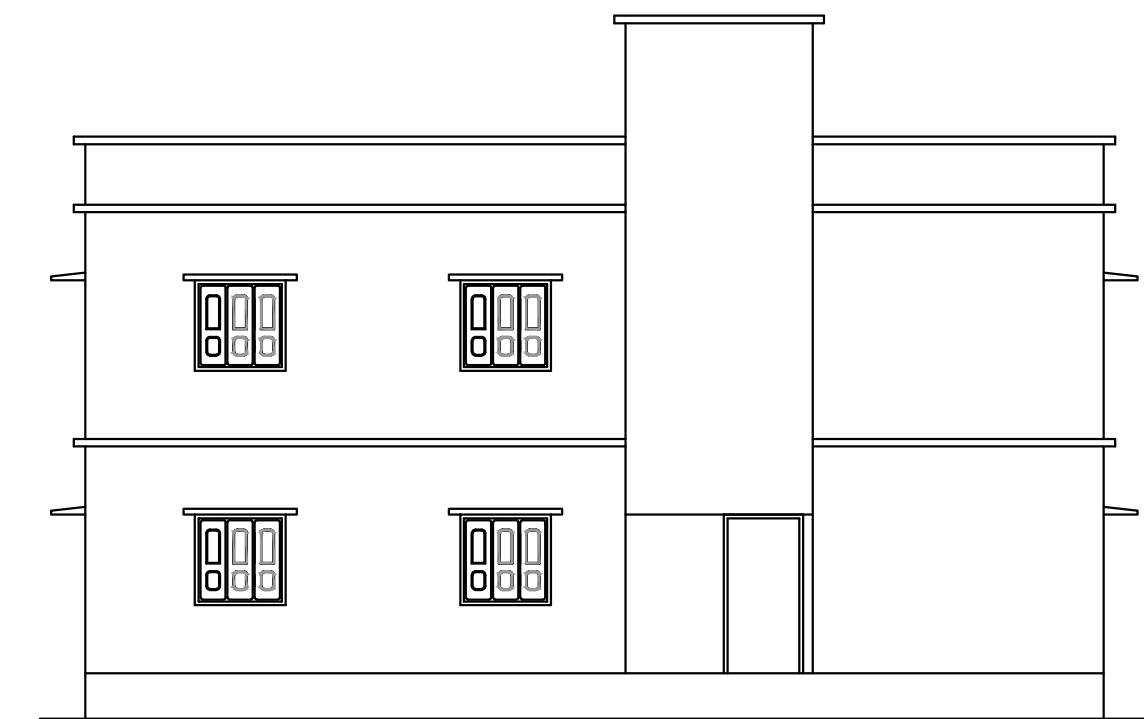


FIRST FLOOR PLAN (Proposed) (SCALE 1:100)

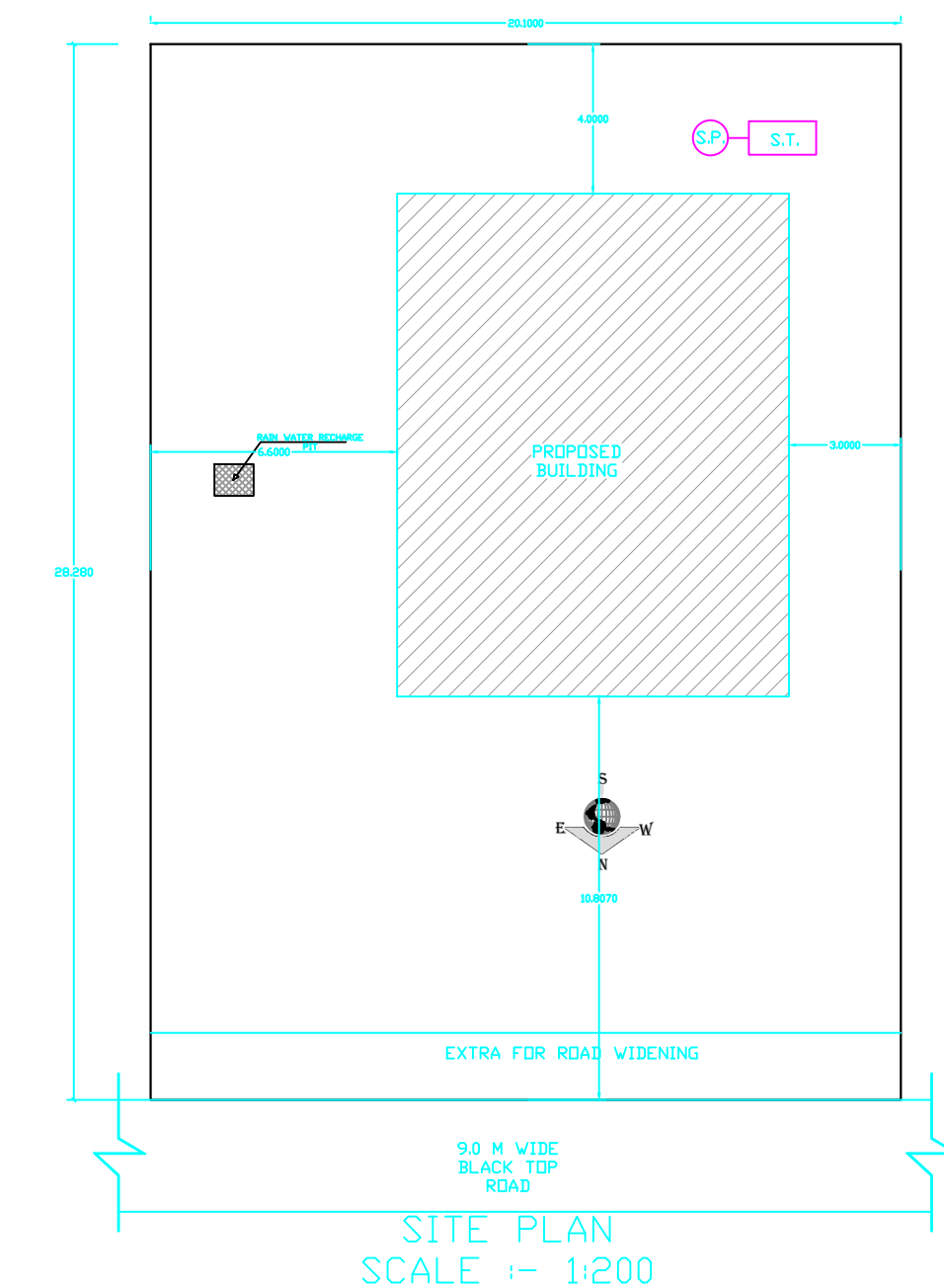


SECTION AT X-X' 1:100

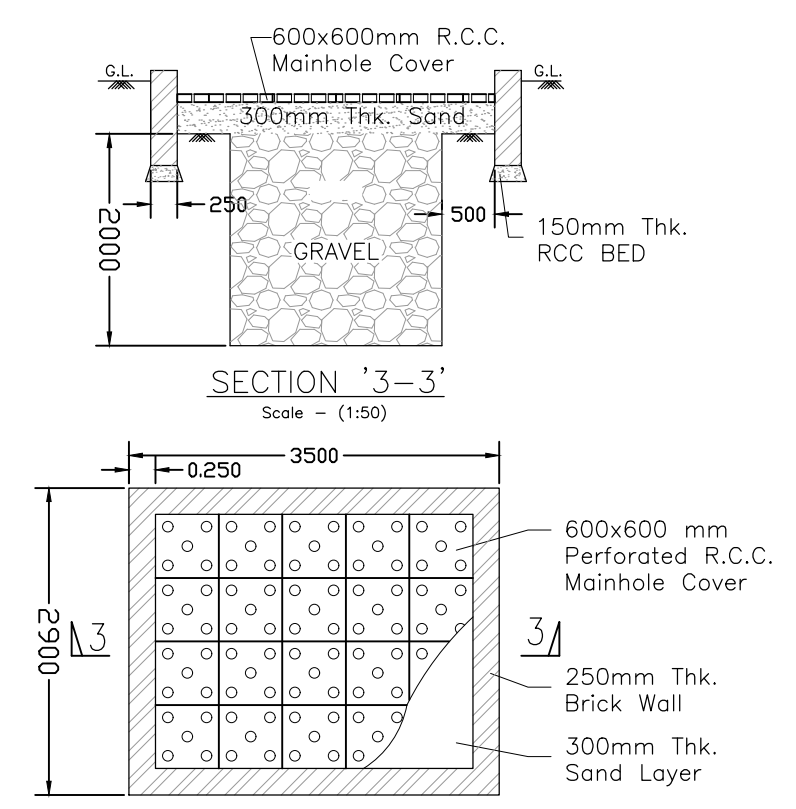
SECTION AT Y-Y' 1:100



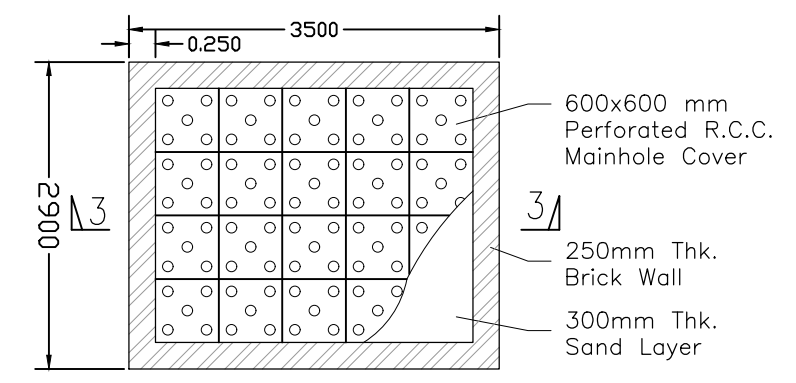
SIDE ELEVATION 1:100



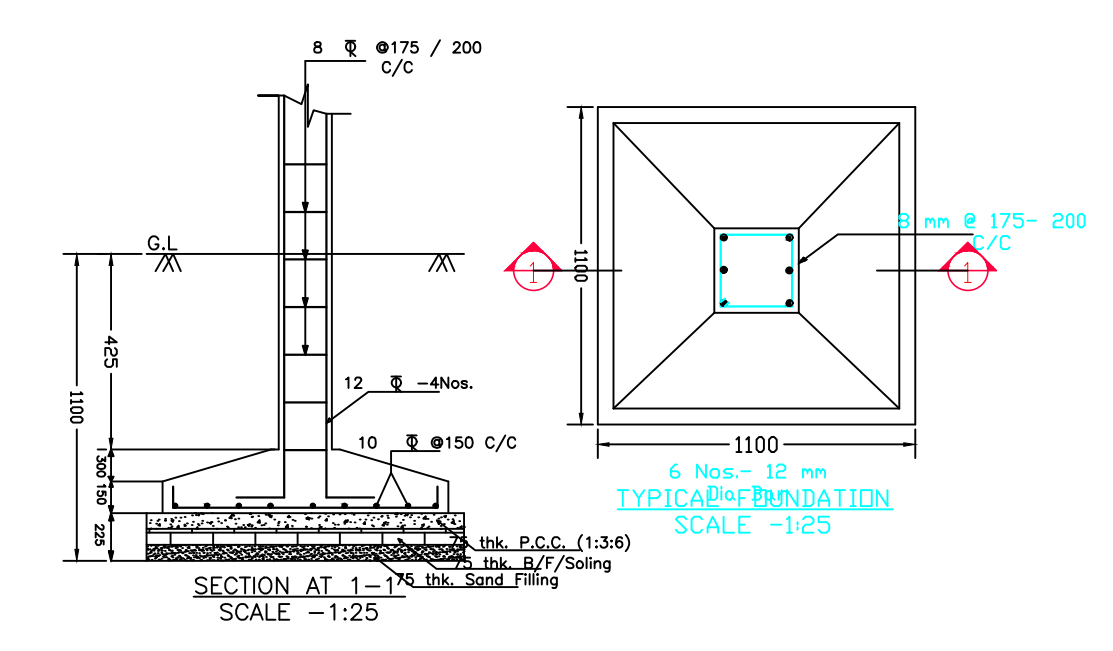
SITE PLAN SCALE 1:1200



SECTION '3-3' Scale = (1:50)

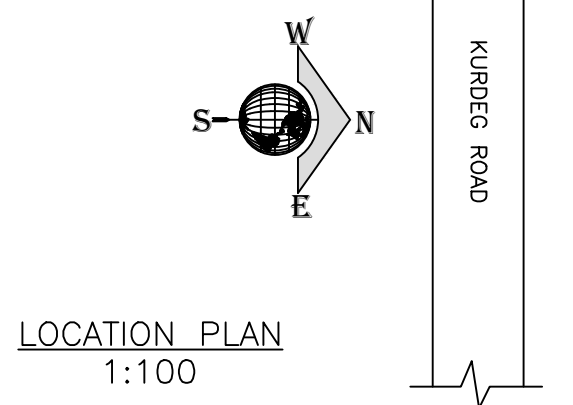


600x600 mm Perforated R.C.C. Mainhole Cover



SECTION AT 1-1' (SCALE = 1:25)

TYPICAL FOUNDATION SCALE = 1:25



LOCATION PLAN 1:100

SCHEDULE OF DOOR:

BUILDING NAME	NAME	LENGTH	HEIGHT	NOS
A (MARY GRACE KERKETTA)	D2	0.75	2.13	05
A (MARY GRACE KERKETTA)	D1	0.95	2.13	13
A (MARY GRACE KERKETTA)	D	1.07	2.13	02

SCHEDULE OF WINDOW/VENTILATION:

BUILDING NAME	NAME	LENGTH	HEIGHT	NOS
A (MARY GRACE KERKETTA)	V	0.60	2.70	04
A (MARY GRACE KERKETTA)	W4	1.00	2.70	02
A (MARY GRACE KERKETTA)	W3	1.20	2.70	10
A (MARY GRACE KERKETTA)	W2	1.50	2.70	08
A (MARY GRACE KERKETTA)	W1	1.80	2.70	01
A (MARY GRACE KERKETTA)	W	1.90	2.70	01

UnitBUA Table for Building :A (MARY GRACE KERKETTA)

FLOOR	Name	UnitBUA Type	UnitBUA Area	Carpet Area	No. of Rooms	No. of Tenement
GROUND FLOOR PLAN	SPLIT A	FLAT	245.08	244.66	9	1
FIRST FLOOR PLAN	SPLIT A	FLAT	0.00	0.00	11	0
Total:	-	-	245.08	244.66	20	1

Building :A (MARY GRACE KERKETTA)

Floor Name	Total Built Up Area (Sq.mt.)	Proposed FAR Area (Sq.mt.) Resi.	Total FAR Area (Sq.mt.)	Total Consumed Additional FAR Area (Sq.mt.)	Tnmt (No.)
Ground Floor	144.37	144.37	144.37	144.37	01
First Floor	144.37	144.37	144.37	144.37	00
Terrace Floor	0.00	0.00	0.00	0.00	00
Total:	288.74	288.74	288.74	288.74	01
Total Number of Same Buildings	1				
Total:	288.74	288.74	288.74	288.74	01