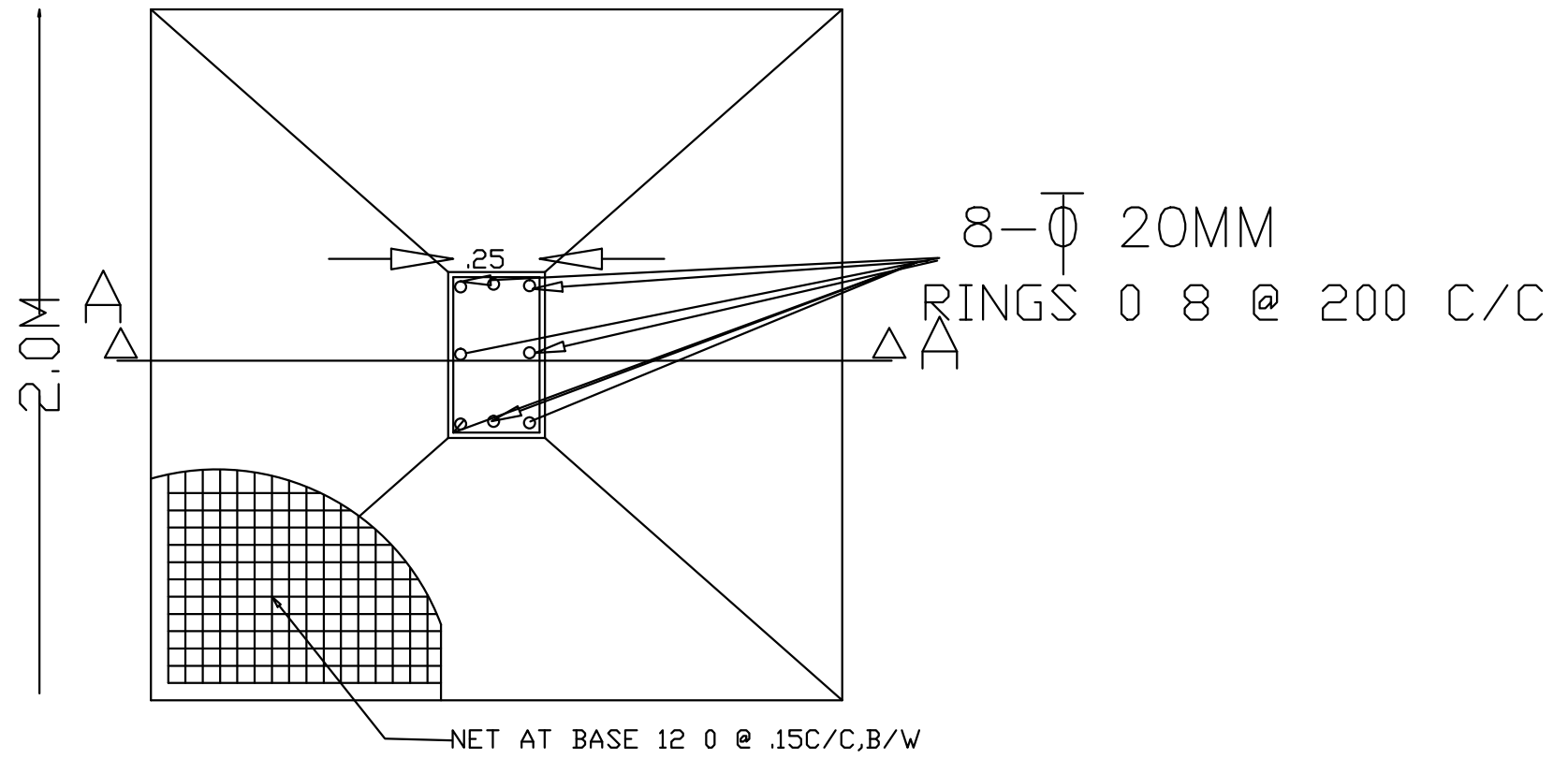


SECTION ON A-A
SCALE= 1:50



PLAN OF COLUMN FOUNDATION
SCALE= 1:50