

Proposal Basic Information	
Proposal File No.	SINPC/0246/W04/2021
Owner Name	KARUNA DUNGUNG
Khata No	87
Plot No	1039/2217
Village Name	Saldega
Use	Residential
SubUse	Bungalow/ Dwelling / Non Apartment

AREA STATEMENT SIMDEGA NAGAR PANCHAYAT		VERSION NO. : 1.0.60
PROJECT DETAIL		VERSION DATE: 16/10/2020
Region: JHARKHAND URBAN LOCAL BODIES	Plot Use: Residential	
District: SIMDEGA	Plot SubUse: Bungalow/ Dwelling / Non Apartment	
Authority: SIMDEGA NAGAR PANCHAYAT	PlotNearbyReligiousStructure: NA	
Inward No: SINPC/0246/W04/2021	Plot/SubPlot No: 1039/2217	
Application Type: General Proposal	North: -	
Project Type: Building Permission	South: -	
Nature of Development: New	East: -	
Location of Development Area: Old Area	West: -	
AREA DETAILS:		
AREA OF PLOT (Minimum)	(A)	SQ.MT. 1595.16
Deduction for NetPlot Area		
Surrender Free of Cost		12.58
Total		12.58
NET AREA OF PLOT(Gross Plot Area - Deduction from Gross Plot area)		
(A-Deductions)		1582.58
Deduction for Balance Plot Area(from Gross Plot Area)		
Surrender Free of Cost		12.58
Common Plot		134.99
Total		147.57
BALANCE AREA OF PLOT(Net Plot Area - Recreational/Amenity space)		
(A-Deductions)		1447.59
PLOT AREA FOR COVERAGE(Net Plot Area)		
(A-Deductions)		1582.58
Plot Area for FAR (Net Plot Area + RoadWidening Area)		
(A-Deductions)		1595.16
COVERAGE CHECK		
Permissible Coverage area (50.00 %)		791.29
Proposed Coverage Area (8.23 %)		130.32
Total Prop. Coverage Area (8.23 %)		130.32
Balance coverage area (41.77 %)		660.97
FAR CHECK		
Perm. FAR Area (2.00)		3190.32
Total Perm. FAR area		3190.32
Residential FAR		260.63
Proposed FAR Area		260.63
Total Proposed FAR Area		260.63
Consumed FAR (Factor)		0.16
Balance FAR Area		2929.69
BUILT UP AREA CHECK		
Total Proposed BuiltUp Area		260.64
ARCHITECT (Regd)	RAM RATAN SINGH	
ENGINEER (Regd)		
SUPERVISOR (Regd)		
OWNER (Regd)	KARUNA DUNGUNG	
DEVELOPMENT AUTHORITY		LOCAL BODY

COLOR INDEX	
PLOT BOUNDARY	Black
ABUTTING ROAD	Green
PROPOSED CONSTRUCTION	Red
COMMON PLOT	Yellow
ROAD WIDENING AREA	Orange
EXISTING (To be retained)	Blue
EXISTING (To be demolished)	Light Blue

Buildingwise Floor FAR Details

Floor Name	Building Name A1 (RESIDENSE)		Total	
	Proposed Built Up Area (Sq.mt.)	Proposed FAR Area (Sq.mt.)	Total Proposed Built Up Area (Sq.mt.)	Total FAR Area (Sq.mt.)
Ground Floor	130.32	130.32	130.32	130.32
First Floor	130.32	130.32	130.32	130.32
Terrace Floor	0.00	0.00	0.00	0.00
Total	260.64	260.64	260.64	260.64

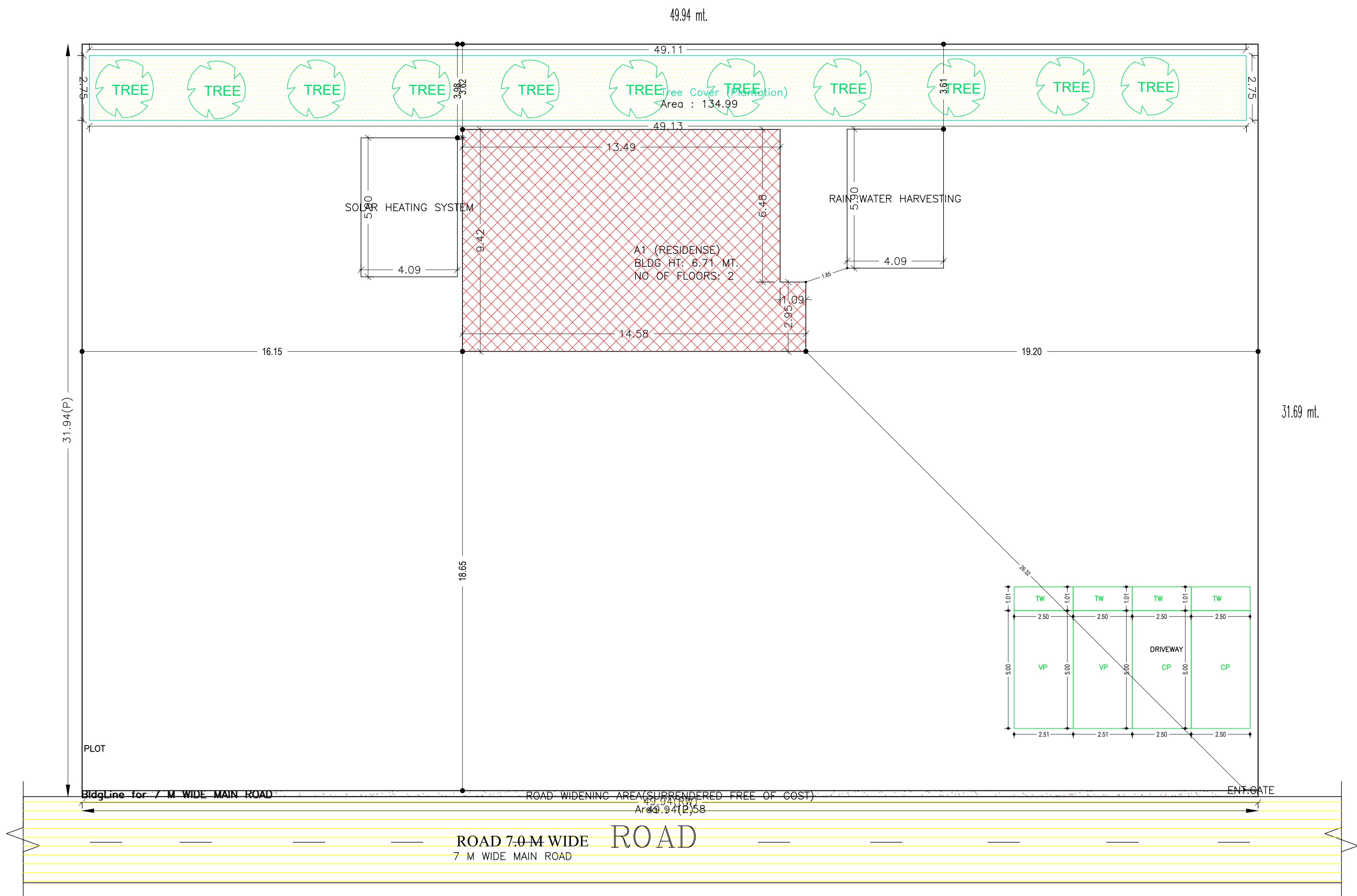
Building USE/SUBUSE Details

Building Name	Building Use	Building SubUse	Building Structure
A1 (RESIDENSE)	Residential	Bungalow/ Dwelling / Non Apartment	Non-Highrise

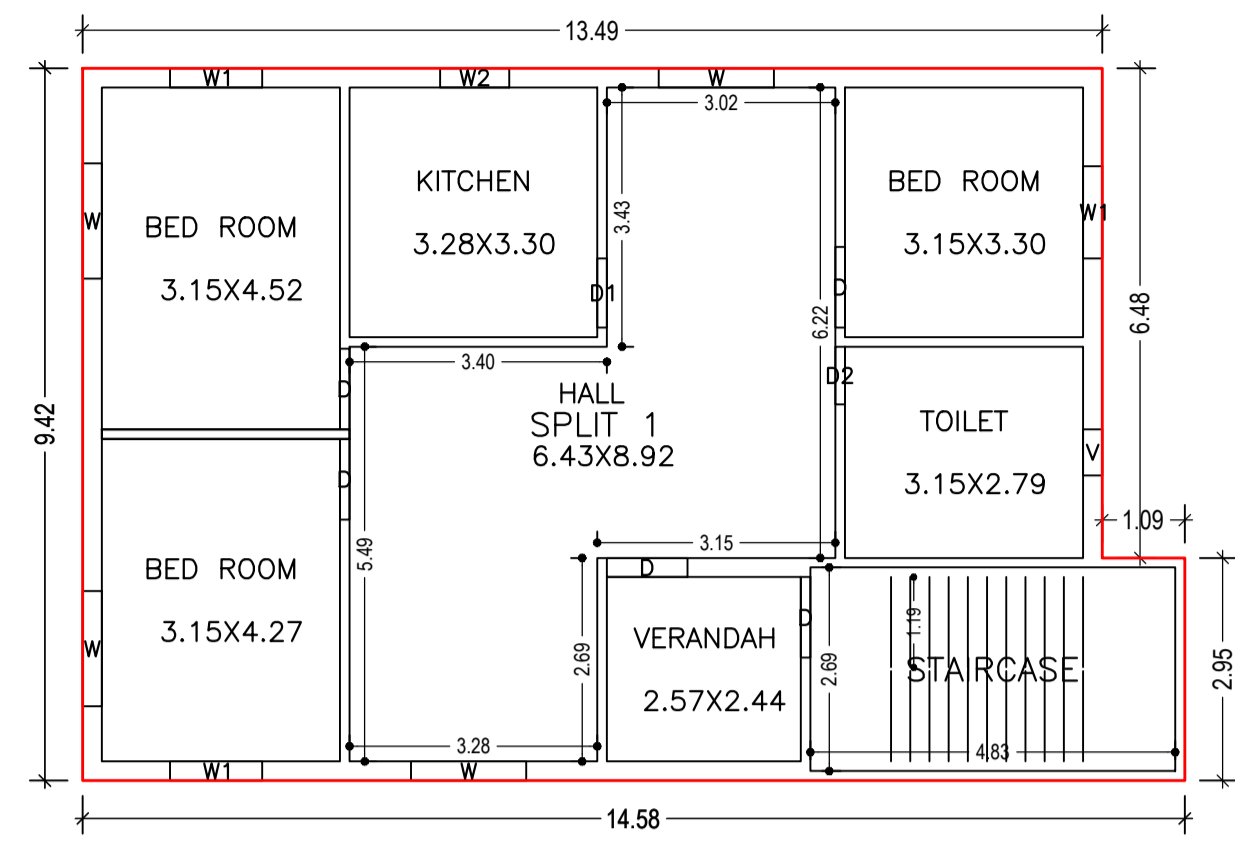
FAR & Tenement Details (Table 4c-1)

Building	No. of Same Bldg	Total Built Up Area (Sq.mt.)	Proposed FAR Area (Sq.mt.) Resi.	Total FAR Area (Sq.mt.)	Total Consumed Additional FAR Area (Sq.mt.)	Tnmt (No.)
A1 (RESIDENSE)	1	260.64	260.64	260.64	260.64	02
Grand Total :	1	260.64	260.64	260.64	260.64	02

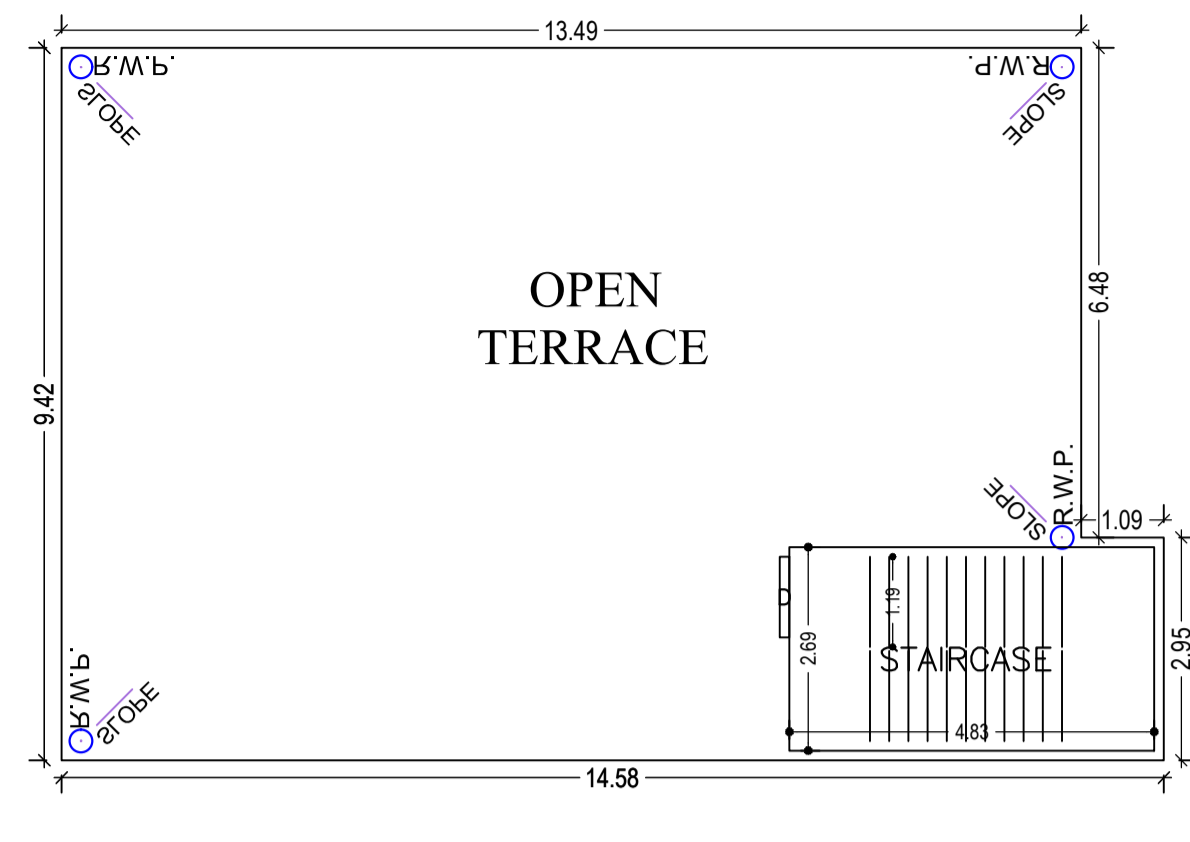
LTP NAME AND SIGNATURE	STRUCTURAL ENG'S NAME AND SIGNATURE	BUILDER NAME AND SIGNATURE	DIGITAL SIGNATURE
RAM RATAN SINGH SINPC/DFTMN/0003/2020			



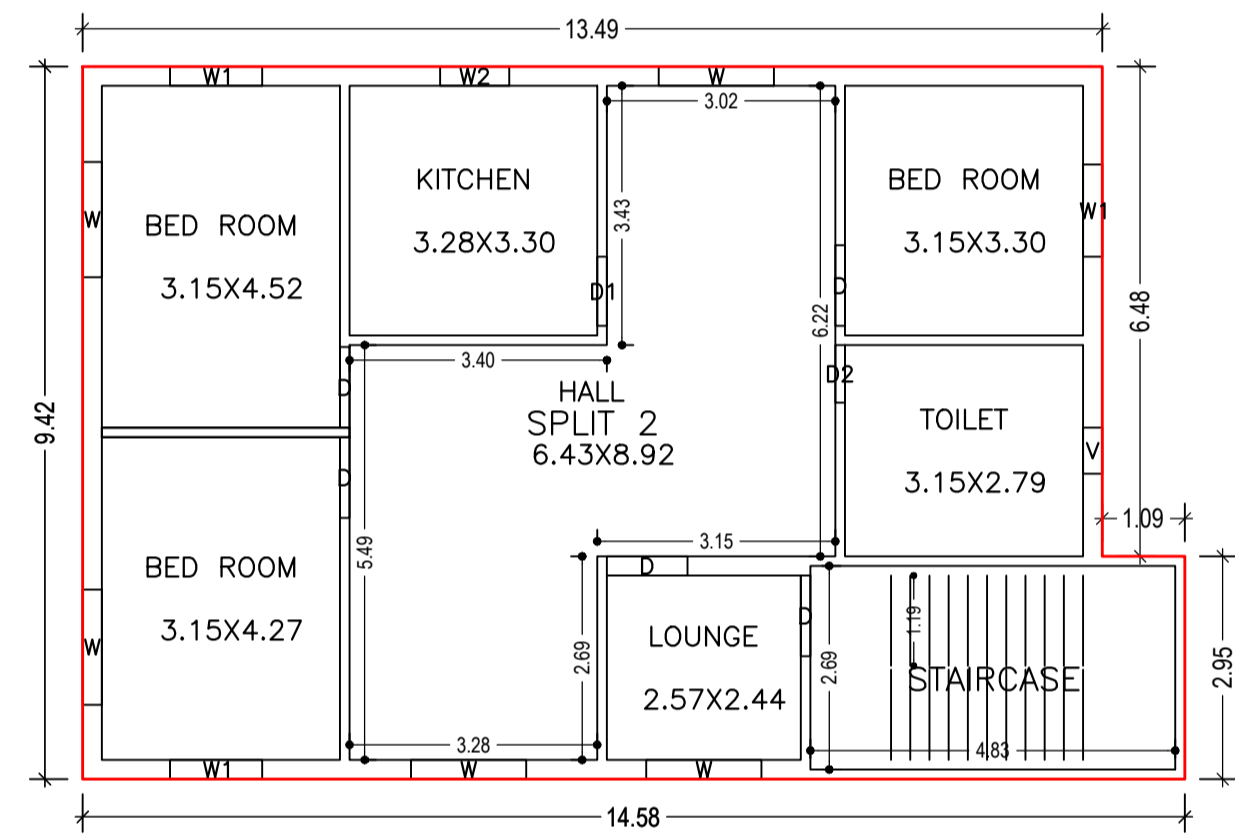
SITE PLAN



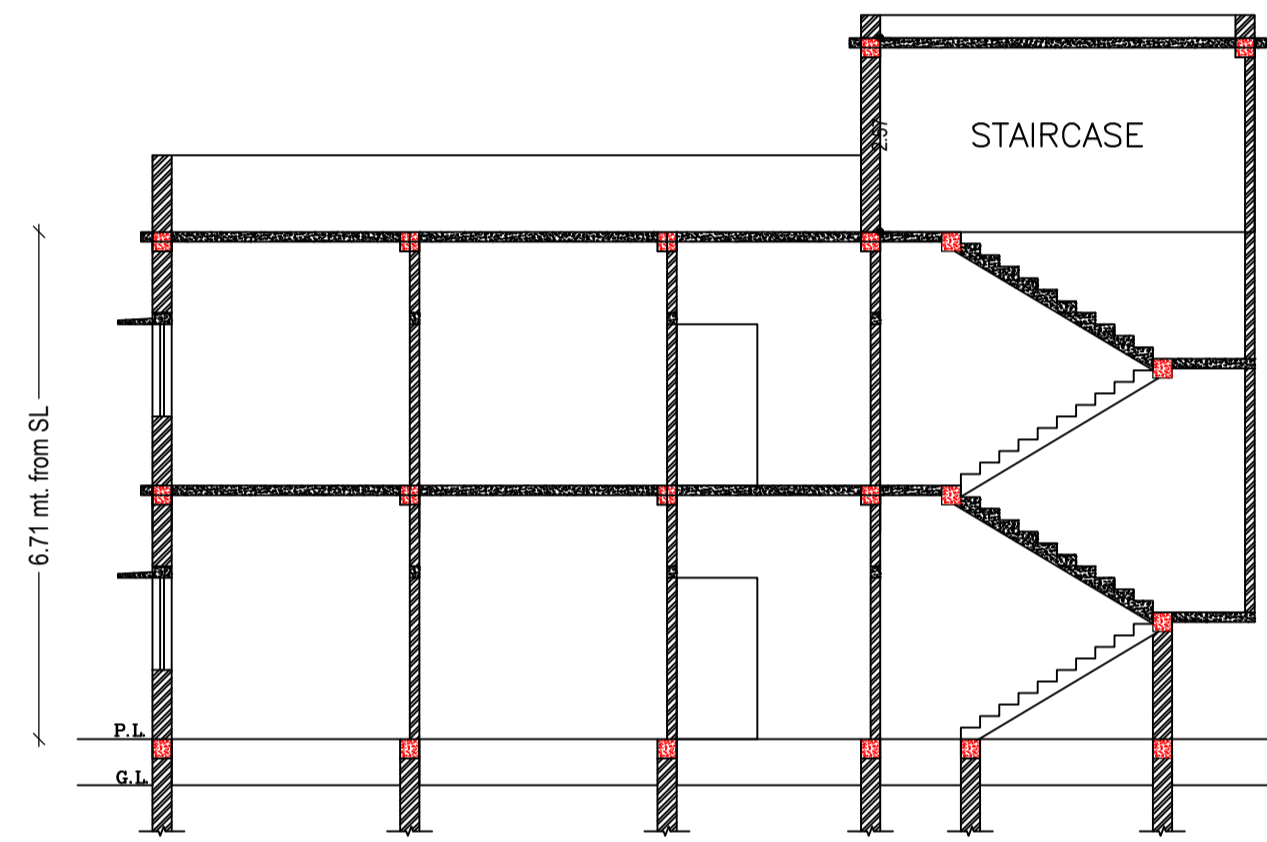
GROUND FLOOR PLAN (Proposed) (SCALE 1:100)



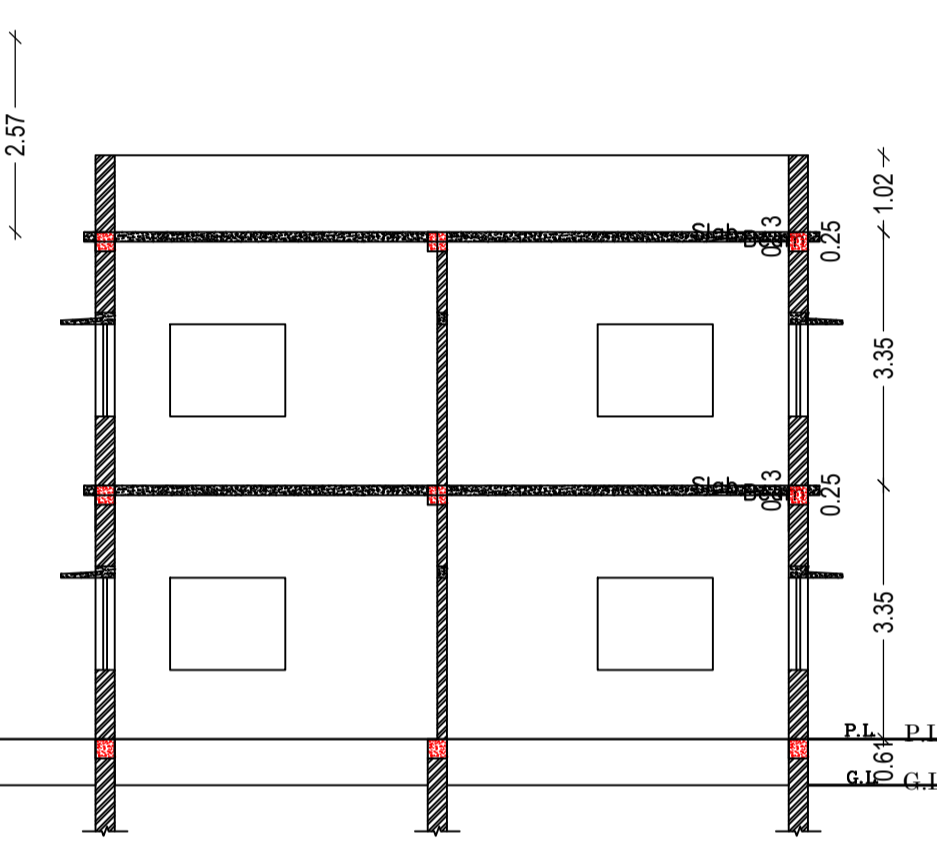
TERRACE FLOOR PLAN (SCALE 1:100)



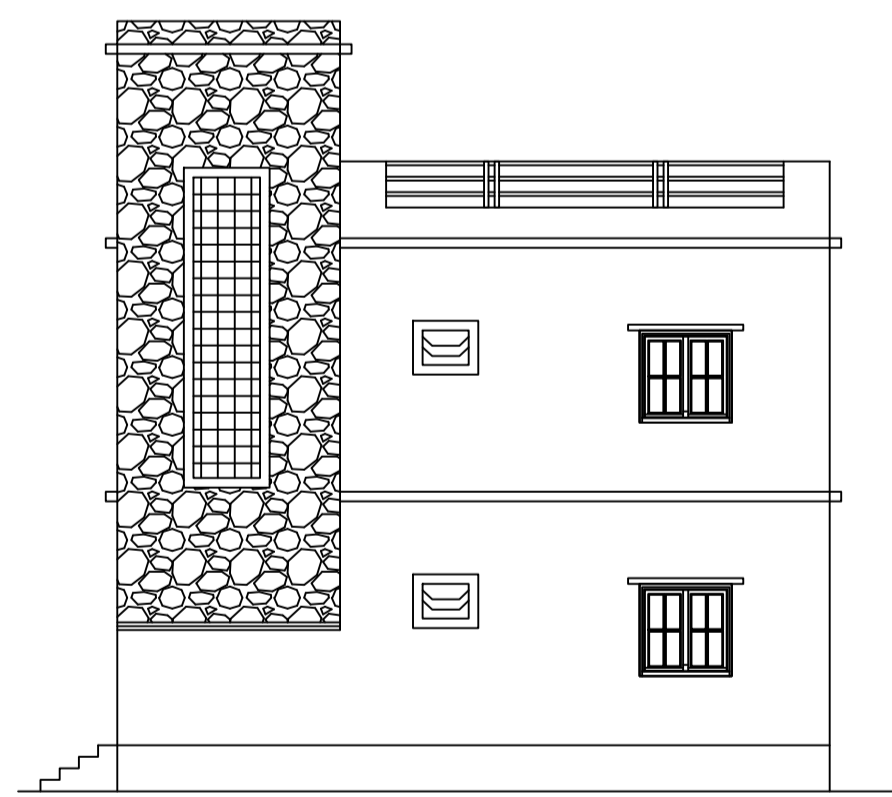
FIRST FLOOR PLAN (Proposed) (SCALE 1:100)



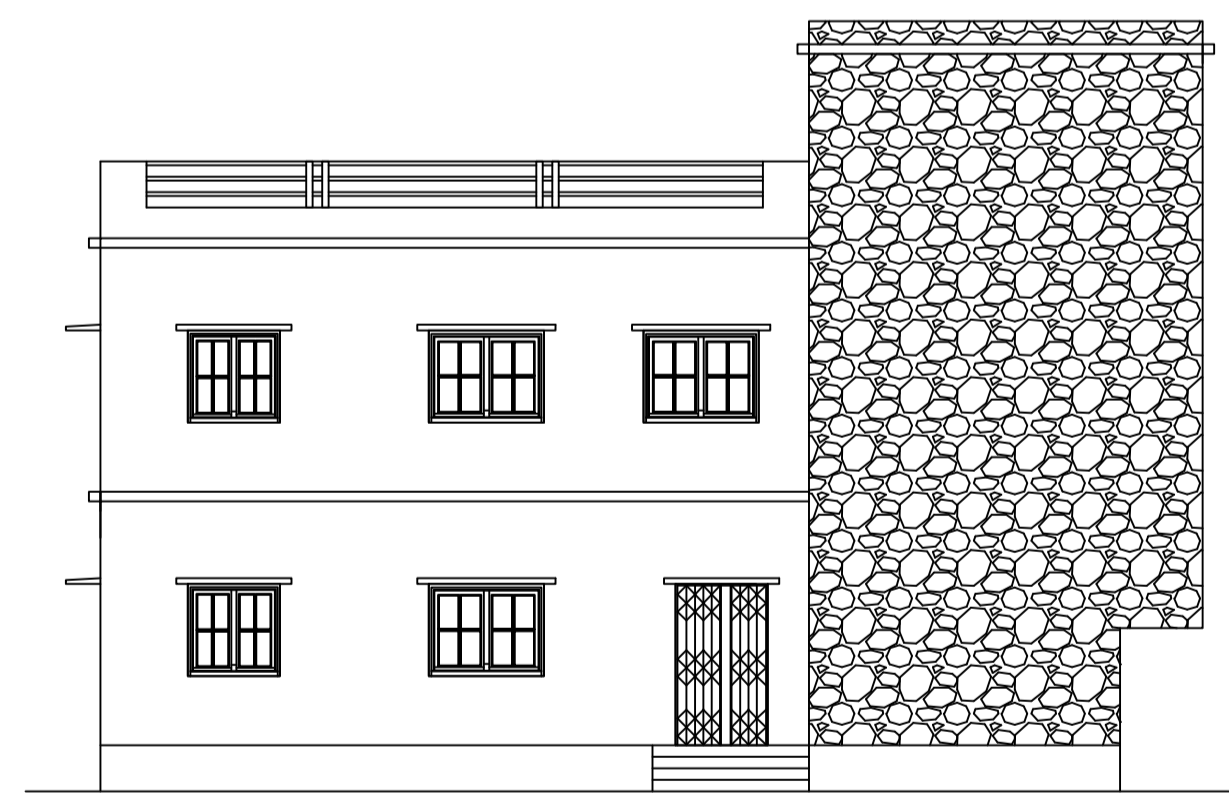
SECTION AT-X-X (SCALE 1:100)



SECTION AT-Y-Y (SCALE 1:100)



RIGHT SIDE ELEVATION (SCALE 1:100)



FRONT ELEVATION (SCALE 1:100)

Building :A1 (RESIDENSE)

Floor Name	Total Built Up Area (Sq.mt.)	Proposed FAR Area (Sq.mt.)	Total FAR Area (Sq.mt.)	Total Consumed Additional FAR Area (Sq.mt.)	Tnmt (No.)
Ground Floor	130.32	130.32	130.32	130.32	01
First Floor	130.32	130.32	130.32	130.32	01
Terrace Floor	0.00	0.00	0.00	0.00	00
Total :	260.64	260.64	260.64	260.64	02
Total Number of Same Buildings	1				
Total :	260.64	260.64	260.64	260.64	02

SCHEDULE OF DOOR:

BUILDING NAME	NAME	LENGTH	HEIGHT	NOS
A1 (RESIDENSE)	D2	0.76	2.10	02
A1 (RESIDENSE)	D1	0.91	2.10	02
A1 (RESIDENSE)	D	1.07	2.10	10

SCHEDULE OF WINDOW/VENTILATION:

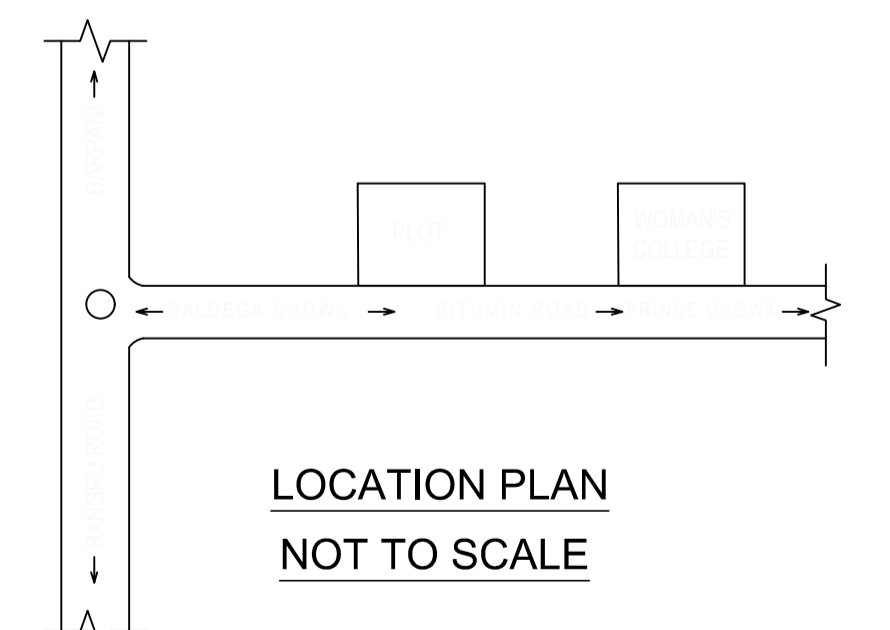
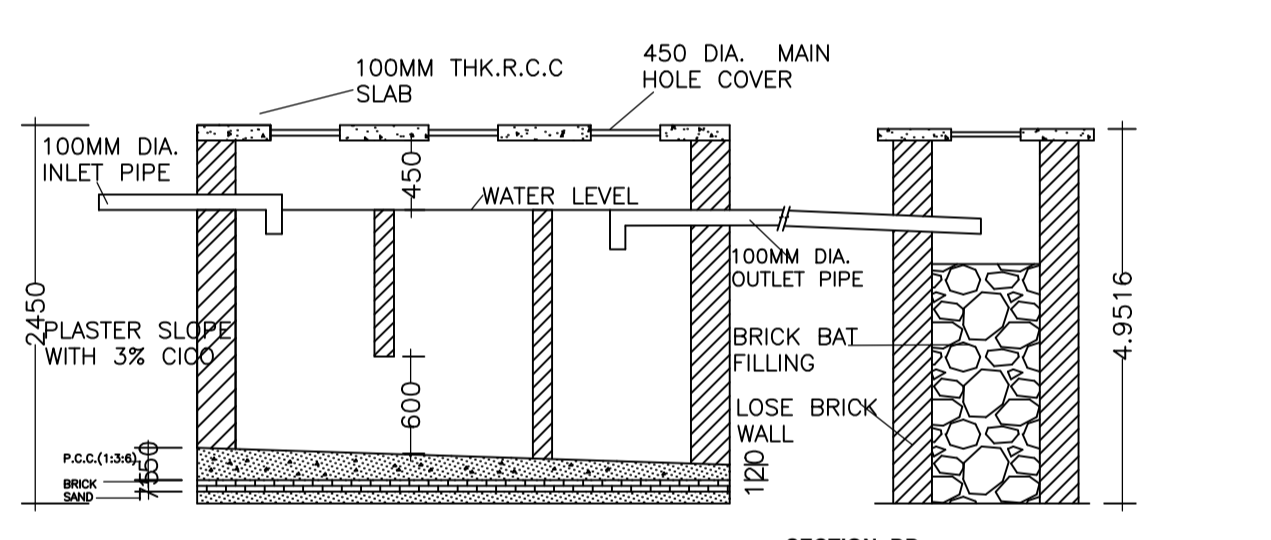
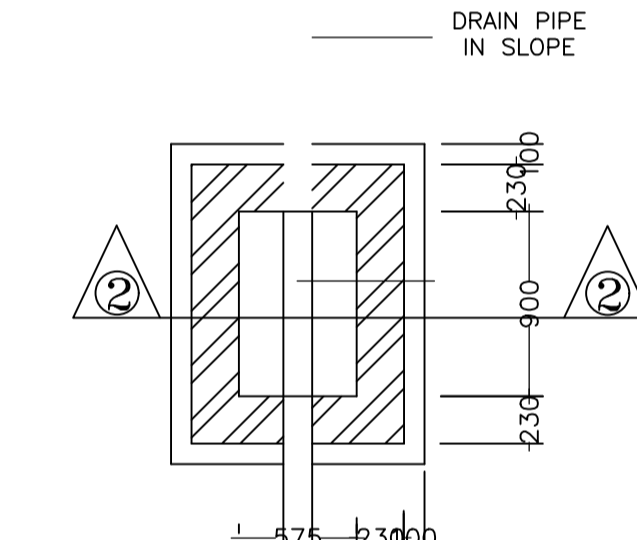
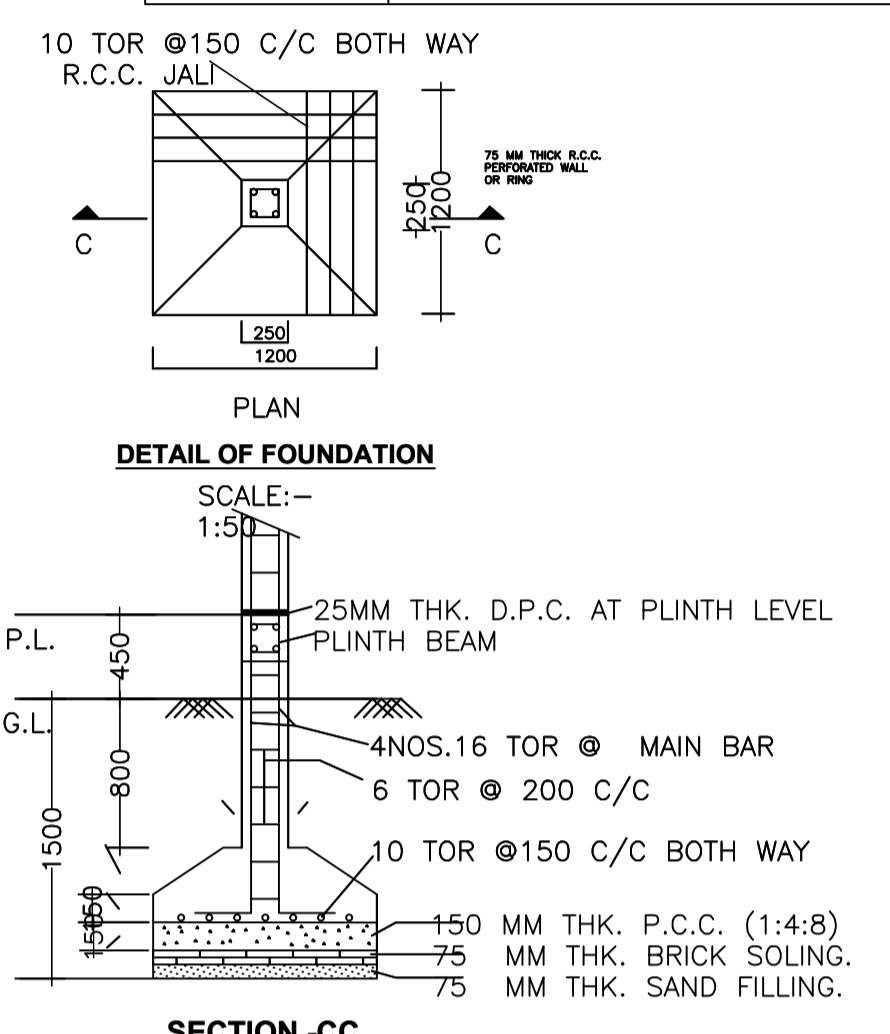
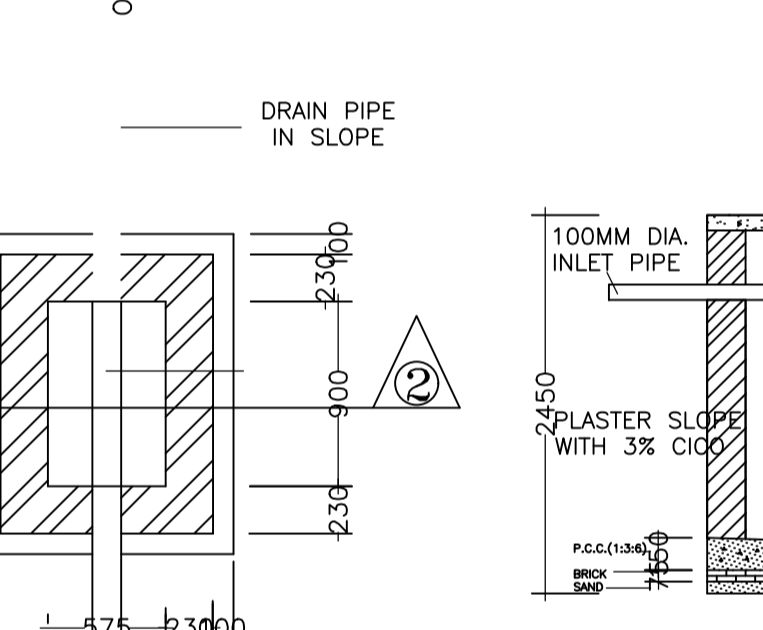
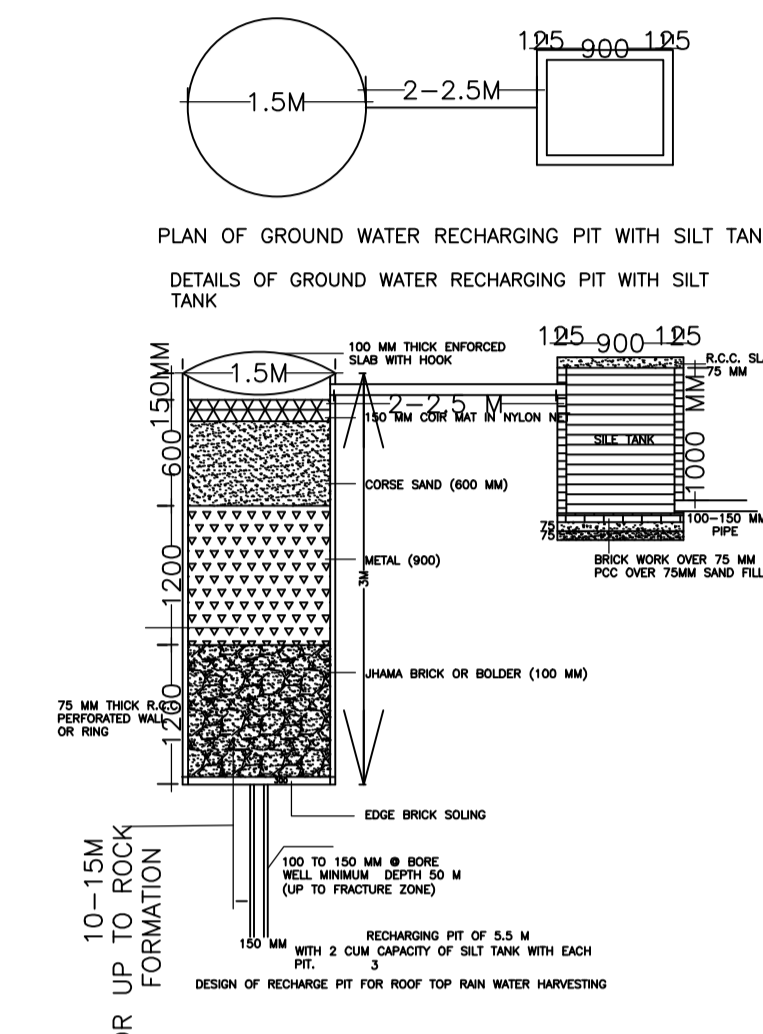
BUILDING NAME	NAME	LENGTH	HEIGHT	NOS
A1 (RESIDENSE)	V	0.61	1.20	02
A1 (RESIDENSE)	W2	0.91	1.20	02
A1 (RESIDENSE)	W1	1.22	1.20	06
A1 (RESIDENSE)	W	1.52	1.20	09

UnitBUA Table for Building :A1 (RESIDENSE)

FLOOR	Name	UnitBUA Type	UnitBUA Area	Carpet Area	No. of Rooms	No. of Tenement
GROUND FLOOR PLAN	SPLIT 1	FLAT	105.66	105.25	7	1
FIRST FLOOR PLAN	SPLIT 2	FLAT	105.66	105.25	7	1
Total:	-	-	211.32	210.50	14	2

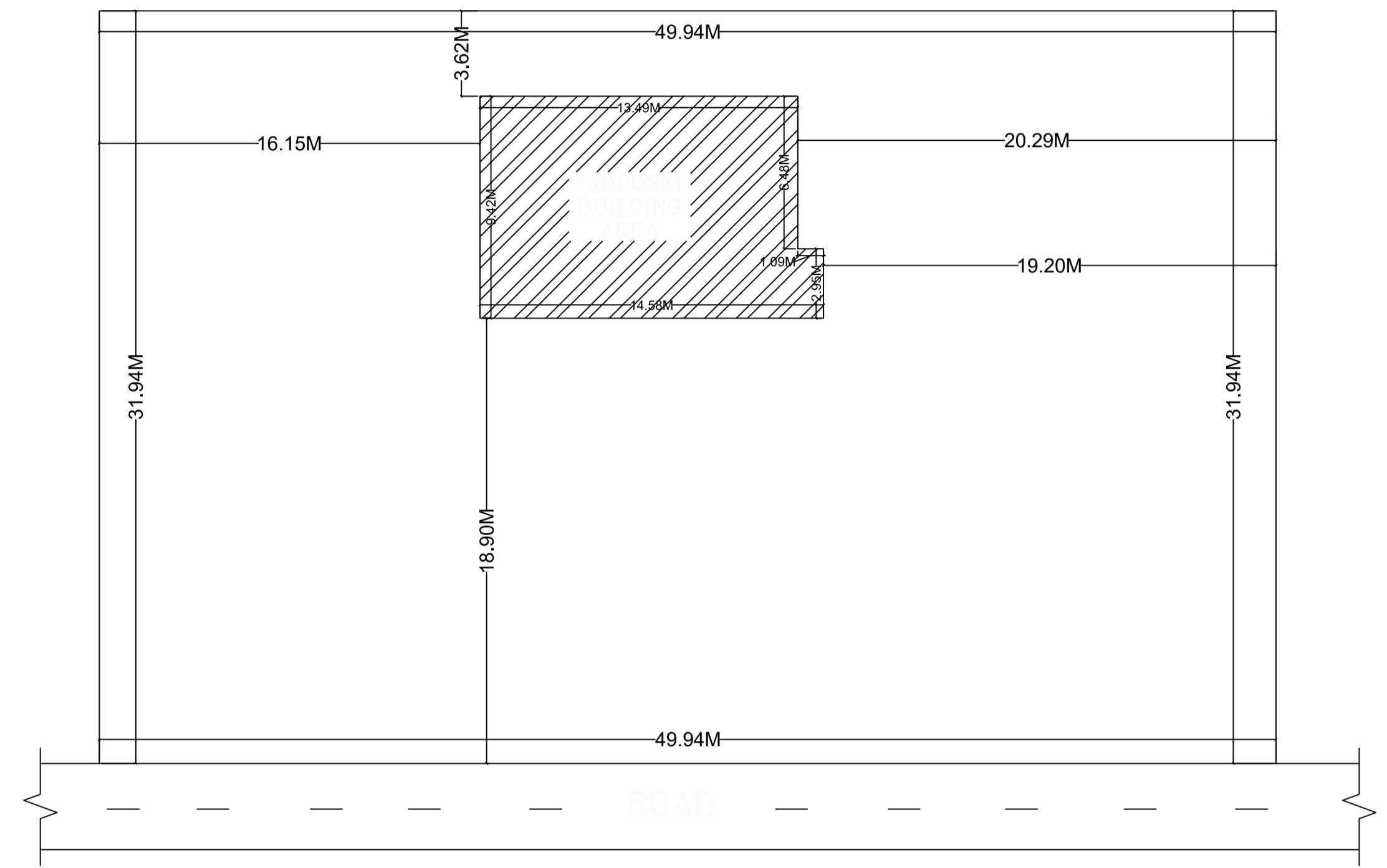
Proposal Basic Information

Proposal File No.	SINPC/P/0246/W04/2021
Owner Name	KARUNA DUNGUNG
Khata No	87
Plot No	1039/2217
Village Name	Saldega
Use	Residential
SubUse	Bungalow/ Dwelling / Non Apartment



LTP NAME AND SIGNATURE	STRUCTURAL ENG'S NAME AND SIGNATURE	BUILDER NAME AND SIGNATURE	DIGITAL SIGNATURE
RAM RATAN SINGH SINPC/DFTMN/0003/2020			

Proposal Basic Information	
Proposal File No.	SINPC/DP/0246/W04/2021
Owner Name	KARUNA DUNGUNG
Khata No	87
Plot No	1039/2217
Village Name	Saldega
Use	Residential
SubUse	Bungalow/ Dwelling / Non Apartment



KEY PLAN
SCALE 1:200

LTP NAME AND SIGNATURE	STRUCTURAL ENG'S NAME AND SIGNATURE	BUILDER NAME AND SIGNATURE	DIGITAL SIGNATURE
RAM RATAN SINGH SINPC/DFTMN/0003/2020			