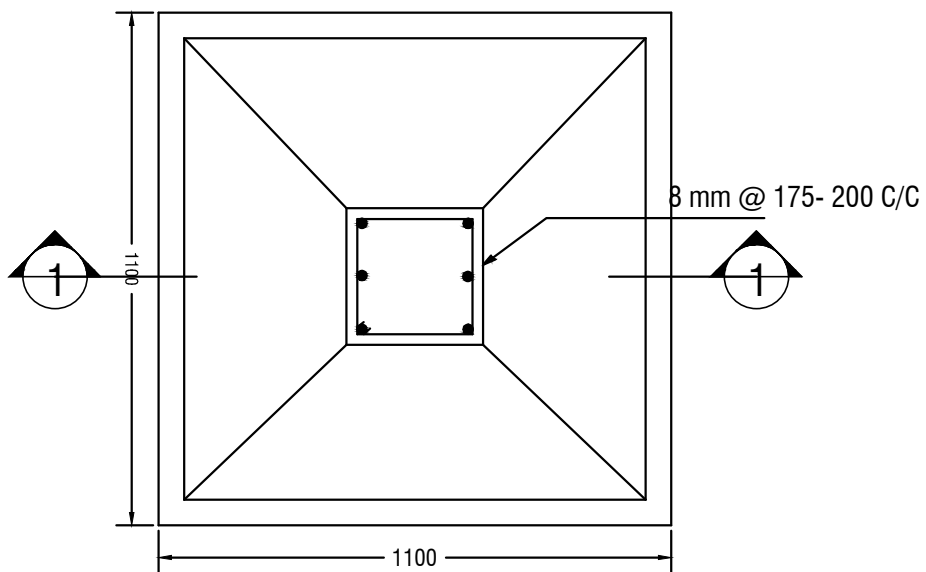


**SECTION AT 1-1'**  
**SCALE -1:25**



6 Nos.- 12 mm Dia Bar  
**TYPICAL FOUNDATION**  
**SCALE -1:25**