

FAR & Tenement Details (Table 4c-1)

Building	No. of Same Bldg	Total Built Up Area (Sq.mt.)	Proposed FAR Area (Sq.mt.) Resi.	Total FAR Area (Sq.mt.)	Total Consumed Additional FAR Area (Sq.mt.)	Tnmt (No.)
A1 (RESIDENSE)	1	253.70	253.70	253.70	253.70	02
Grand Total :	1	253.70	253.70	253.70	253.70	02

Proposal Basic Information

Proposal File No.	SINPC/BP/0198/W03/2021
Owner Name	SUBARDANI GURIA
Khata No	24
Plot No	497
Village Name	Saldega
Use	Residential
SubUse	Bungalow/ Dwelling / Non Apartment

Required Parking (Table 7a)

Building Name	Type	SubUse	Area (Sq.mt.)	Units		Car		Visitors Car		TwoWheeler		
				Reqd.	Prop.	Reqd./Unit	Reqd.	Prop.	Reqd./Unit	Reqd.	Prop.	
A1 (RESIDENSE)	Residential	Bungalow/ Dwelling / Non Apartment	> 0	1	2.00	1	2	-	-	-	-	
				> 0	1	2.00	-	-	1	1	-	-
Total :			-	-	-	2	2	-	1	2	0	4

Parking Check (Table 7b)

Vehicle Type	Reqd.		Prop.	
	No.	Area	No.	Area
Car	-	-	2	25.00
Total Car	2	25.00	2	25.00
Visitor's Car Parking	-	-	2	25.09
Total Visitor Parking	1	12.50	2	25.09
TwoWheeler	-	-	4	8.60
Total TwoWheeler	-	-	4	8.60
Total		37.50		67.29

AREA STATEMENT SIMDEGA NAGAR PANCHAYAT	VERSION NO : 1.0.53
PROJECT DETAIL	VERSION DATE: 16/10/2020
Region: JHARKHAND URBAN LOCAL BODIES	Plot Use: Residential
District: SIMDEGA	Plot SubUse: Bungalow/ Dwelling / Non Apartment
Authority: SIMDEGA NAGAR PANCHAYAT	PlotNearbyReligiousStructure: NA
Inward No: SINPC/BP/0198/W03/2021	PlotSubPlot No: 497
Application Type: General Proposal	North: -
Project Type: Building Permission	South: -
Nature of Development: New	East: -
Location of Development Area: Old Area	West: -
AREA DETAILS:	SQ.MT.
AREA OF PLOT (Minimum)	(A) 239.69
NET AREA OF PLOT(Gross Plot Area - Deduction from Gross Plot area)	(A-Deductions) 239.69
Deduction for Balance Plot Area(from Gross Plot Area)	
Common Plot	12.16
Total	12.16
BALANCE AREA OF PLOT(Net Plot Area - Recreational/Amenity space)	(A-Deductions) 227.53
PLOT AREA FOR COVERAGE(Net Plot Area)	(A-Deductions) 239.69
Plot Area for FAR (Net Plot Area + Road Widening Area)	(A-Deductions) 239.69
COVERAGE CHECK	
Permissible Coverage area (60.00 %)	143.81
Proposed Coverage Area (52.92 %)	126.85
Total Prop. Coverage Area (52.92 %)	126.85
Balance coverage area (7.08 %)	16.96
FAR CHECK	
Perm. FAR Area (2.00)	479.38
Total Perm. FAR area	479.38
Residential FAR	253.71
Proposed FAR Area	253.71
Total Proposed FAR Area	253.71
Consumed FAR (Factor)	1.06
Balance FAR Area	225.67
BUILT UP AREA CHECK	
Total Proposed BuiltUp Area	253.70
ARCHITECT (Regd)	RAM RATAN SINGH
ENGINEER (Regd)	
SUPERVISOR (Regd)	
OWNER (Regd)	SUBARDANI GURIA
DEVELOPMENT AUTHORITY	LOCAL BODY

COLOR INDEX	
PLOT BOUNDARY	Black
ABUTTING ROAD	Green
PROPOSED CONSTRUCTION	Red
COMMON PLOT	Yellow
ROAD WIDENING AREA	Orange
EXISTING (To be retained)	Blue
EXISTING (To be demolished)	Light Blue

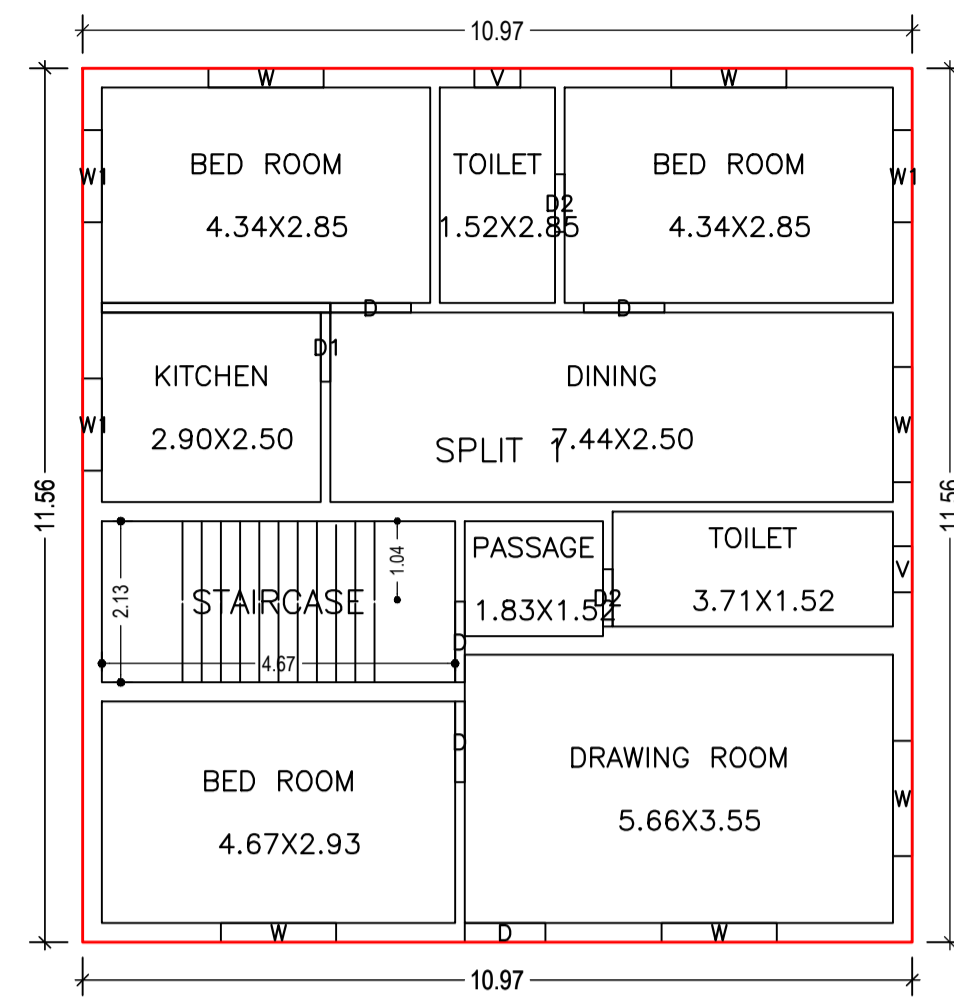
Buildingwise Floor FAR Details

Floor Name	Building Name A1 (RESIDENSE)		Total	
	Proposed Built Up Area (Sq.mt.)	Proposed FAR Area (Sq.mt.)	Total Proposed Built Up Area (Sq.mt.)	Total FAR Area (Sq.mt.)
Ground Floor	126.85	126.85	126.85	126.85
First Floor	126.85	126.85	126.85	126.85
Terrace Floor	0.00	0.00	0.00	0.00
Total :	253.70	253.70	253.70	253.70

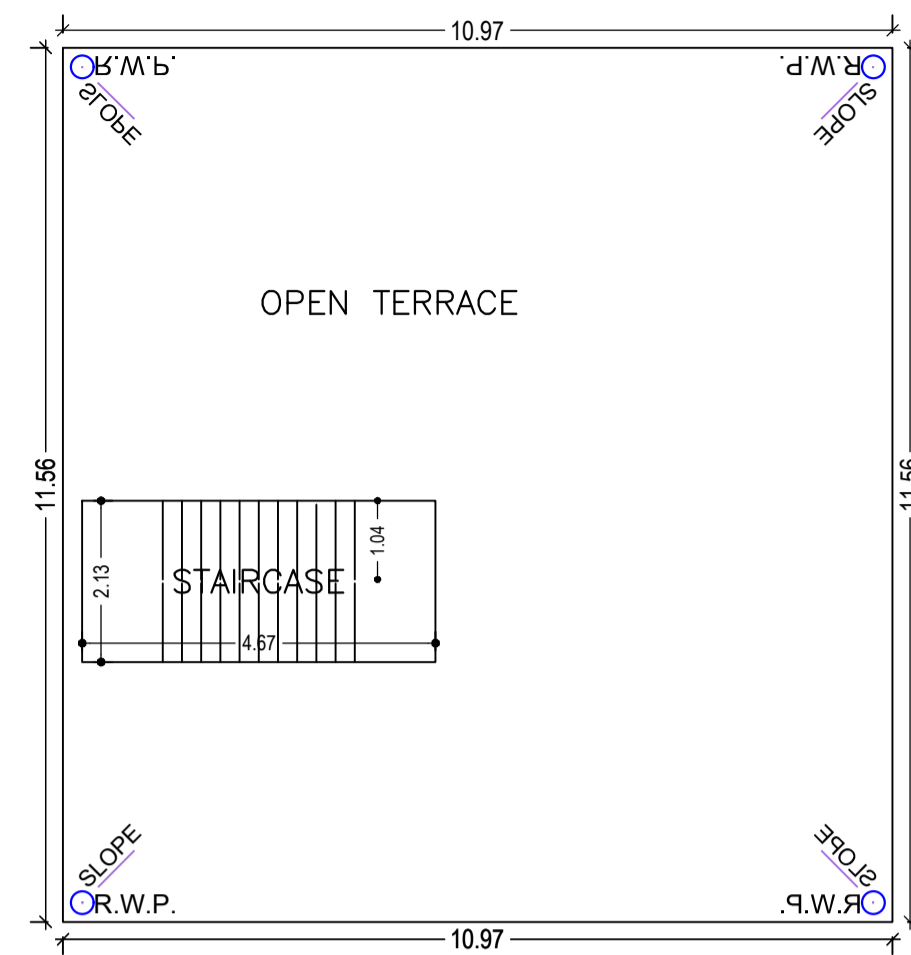
Building USE/SUBUSE Details

Building Name	Building Use	Building SubUse	Building Structure
A1 (RESIDENSE)	Residential	Bungalow/ Dwelling / Non Apartment	Non-Highrise

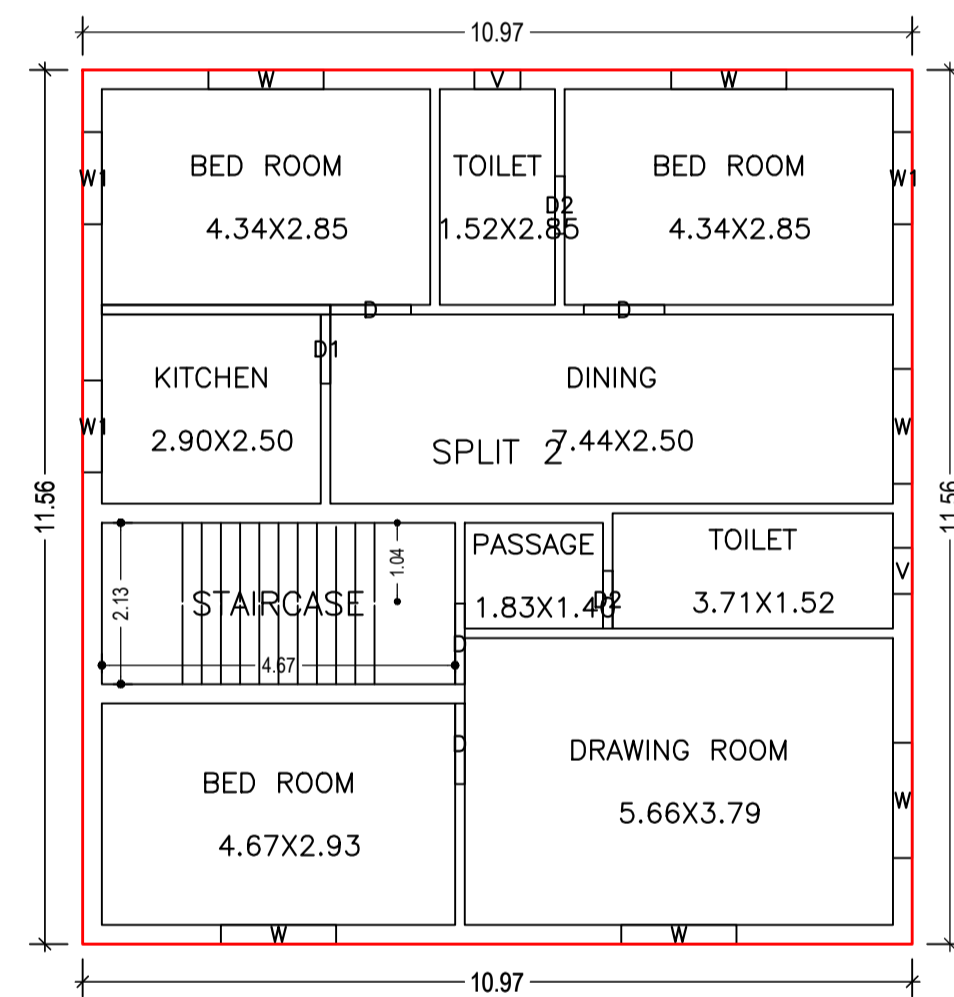
LTP NAME AND SIGNATURE	STRUCTURAL ENG'S NAME AND SIGNATURE	BUILDER NAME AND SIGNATURE	DIGITAL SIGNATURE
RAM RATAN SINGH SINPC/DFTMN/0003/2020			



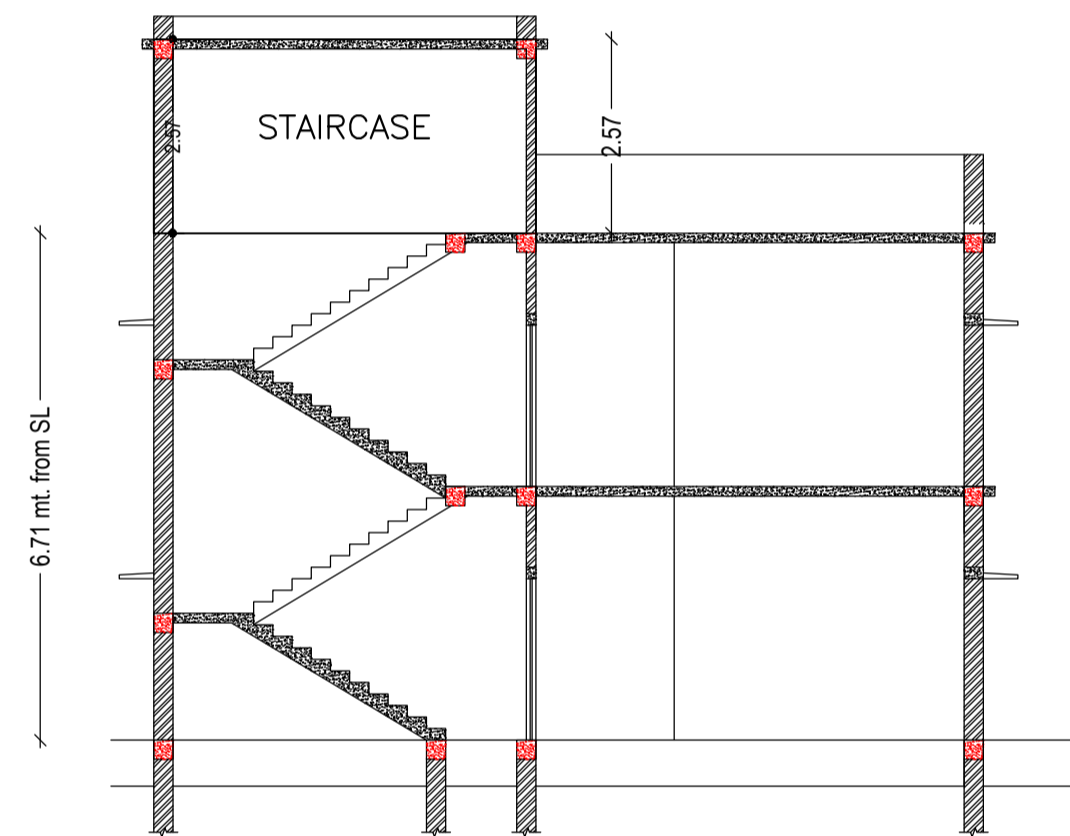
GROUND FLOOR PLAN (Proposed) (SCALE 1:100)



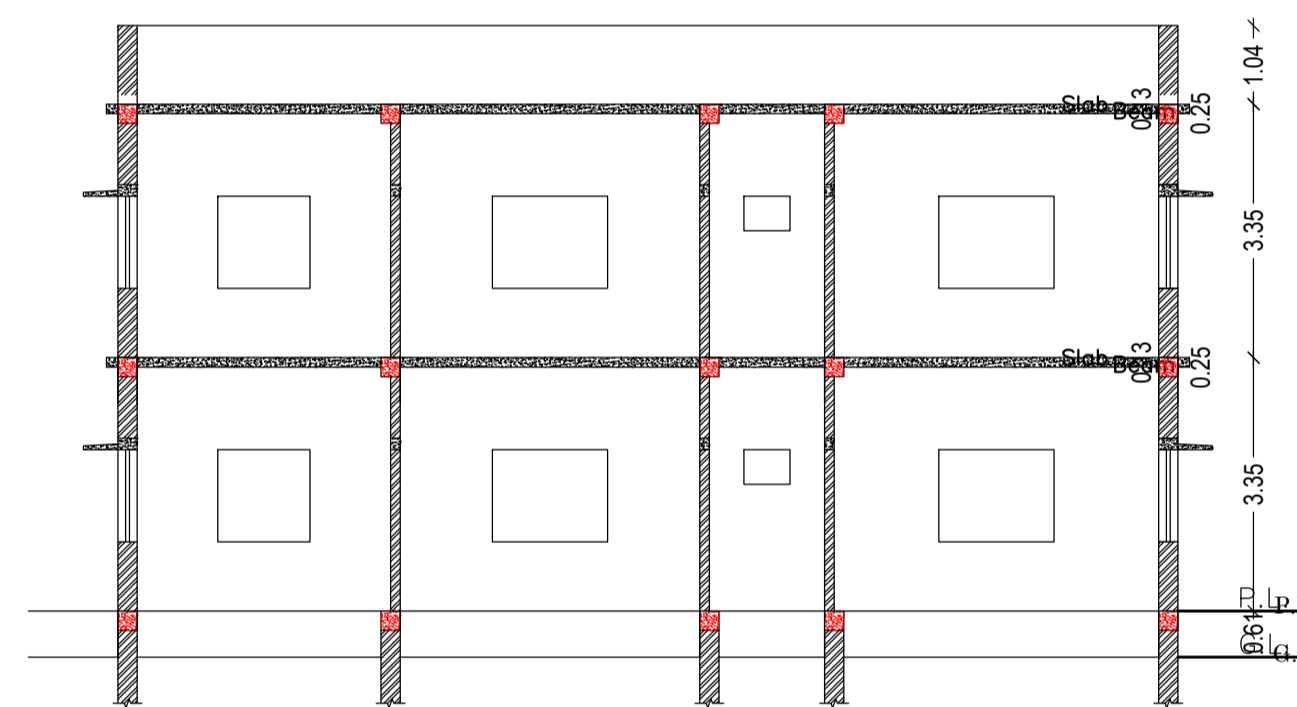
TERRACE FLOOR PLAN (SCALE 1:100)



FIRST FLOOR PLAN (Proposed) (SCALE 1:100)



SECTION ON X-X (SCALE 1:100)



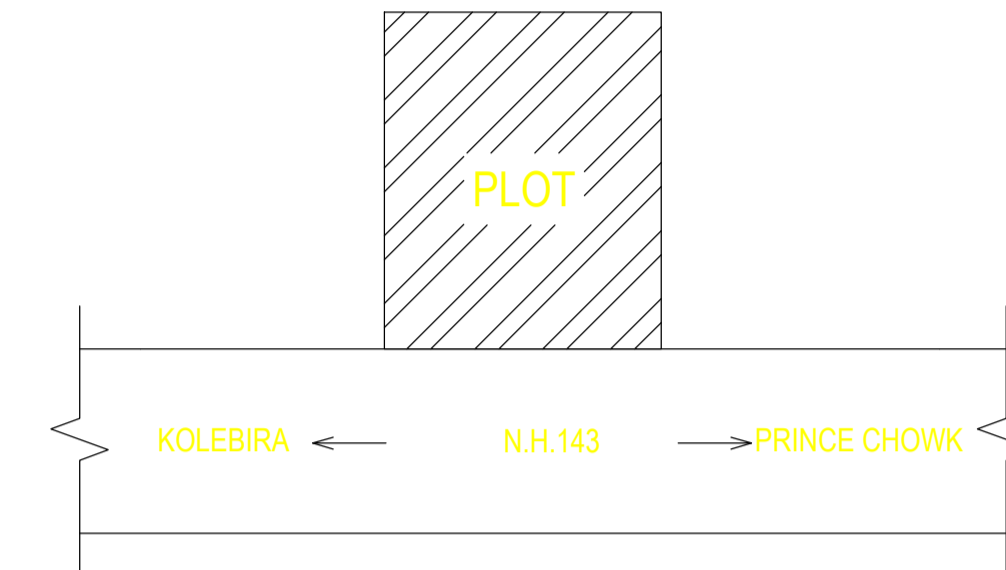
SECTION ON Y-Y (SCALE 1:100)



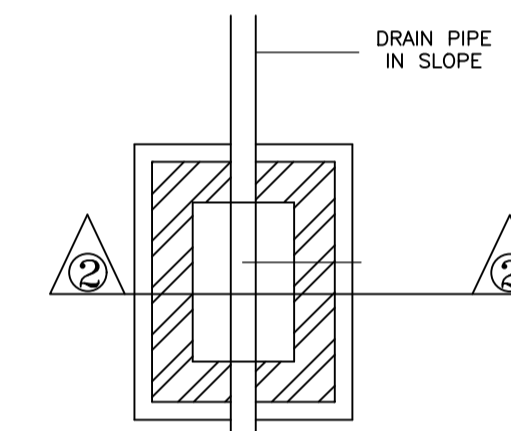
RIGHT SIDE ELEVATION (SCALE 1:100)



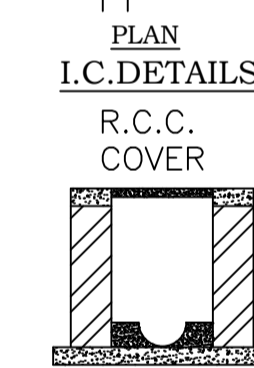
FRONT ELEVATION (SCALE 1:100)



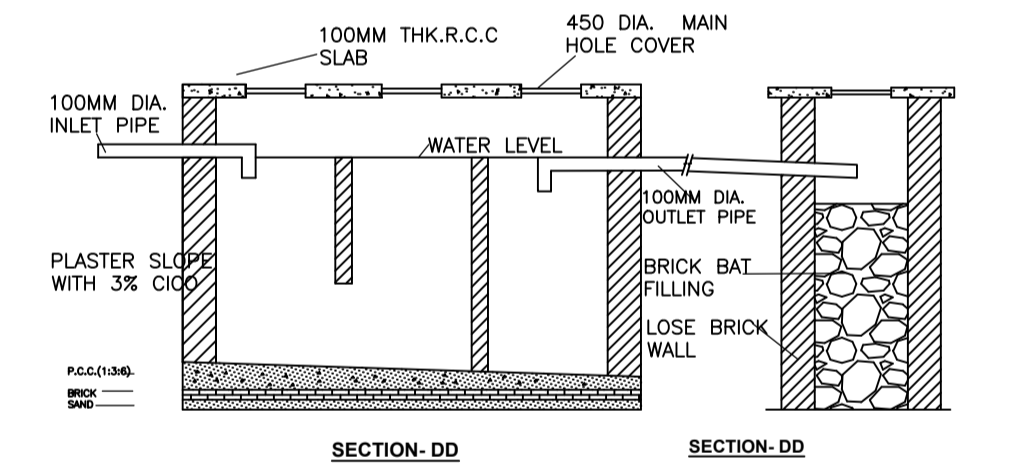
LOCATION PLAN (NOT TO SCALE)



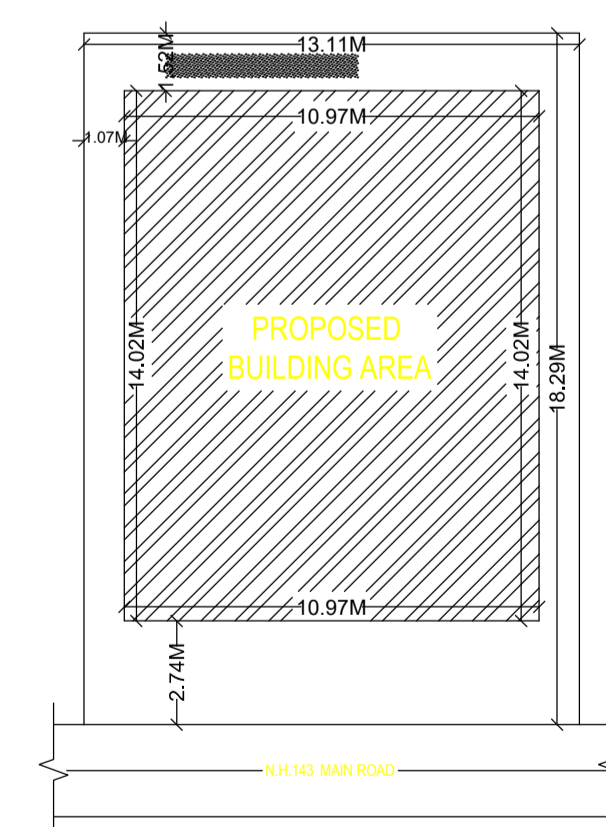
DETAIL OF SEPTIC TANK & SOAKPIT (SCALE 1:50)



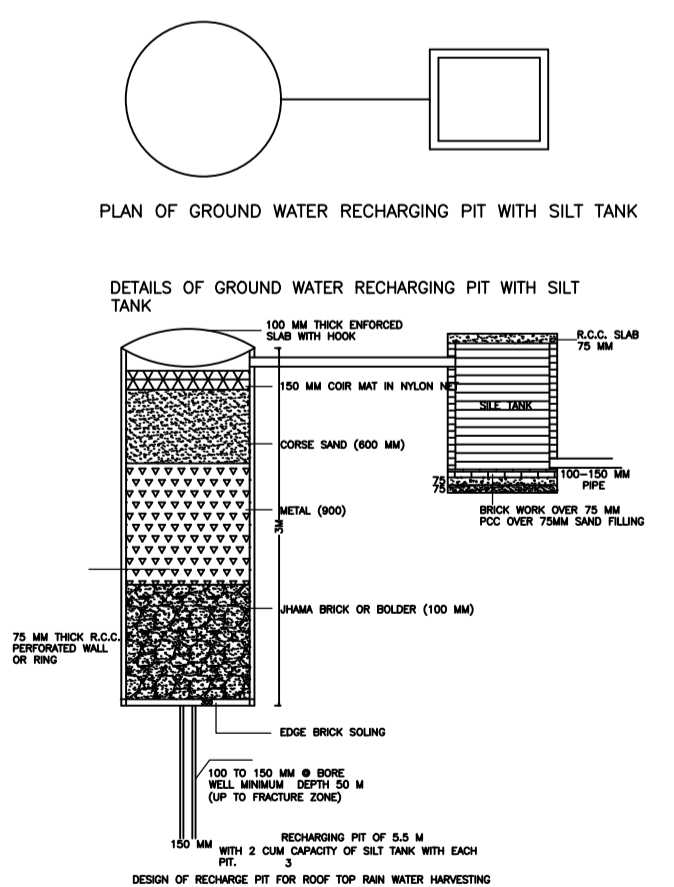
I.C. DETAILS (SCALE 1:50)



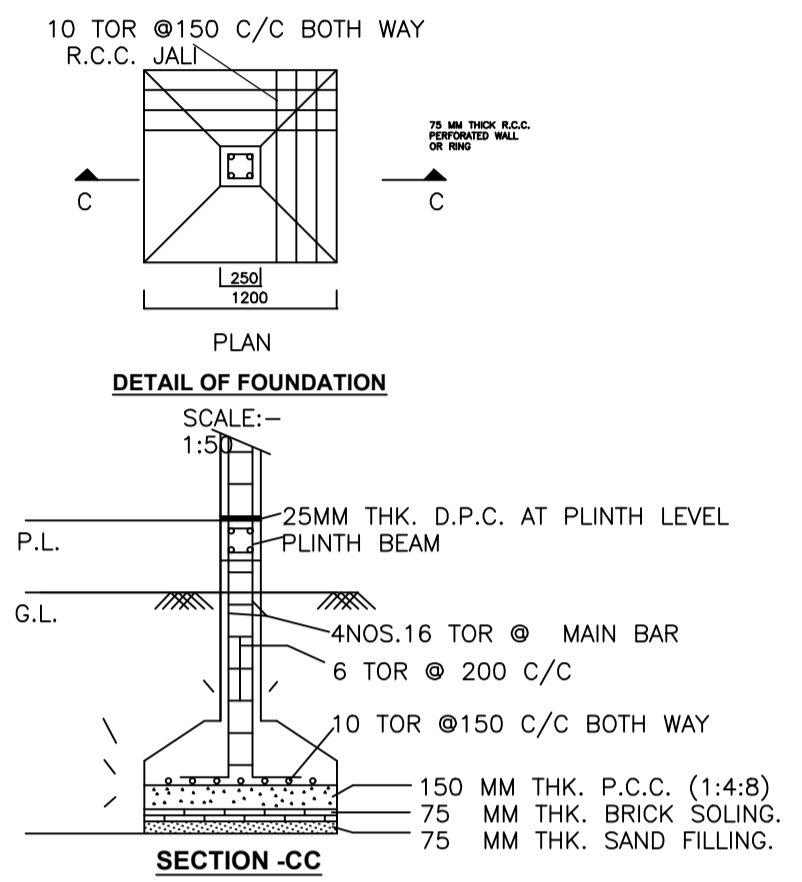
SECTION-DD (SCALE 1:50)



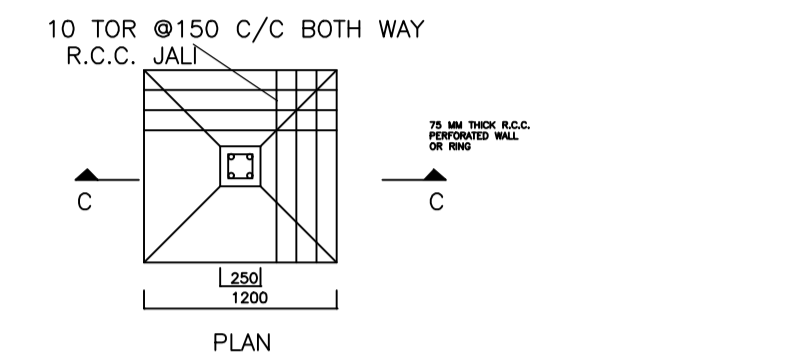
KEY PLAN (SCALE 1:200)



DETAILS OF GROUND WATER RECHARGING PIT WITH SILT TANK



DETAIL OF FOUNDATION (SCALE 1:50)



PLAN OF FOUNDATION (SCALE 1:50)

Floor Name	Total Built Up Area (Sq.mt.)	Proposed FAR Area (Sq.mt.)	Total FAR Area (Sq.mt.)	Total Consumed Additional FAR Area (Sq.mt.)	Tnmt (No.)
Ground Floor	126.85	126.85	126.85	126.85	01
First Floor	126.85	126.85	126.85	126.85	01
Terrace Floor	0.00	0.00	0.00	0.00	00
Total :	253.70	253.70	253.70	253.70	02
Total Number of Same Buildings	1				
Total :	253.70	253.70	253.70	253.70	02

SCHEDULE OF DOOR:

BUILDING NAME	NAME	LENGTH	HEIGHT	NOS
A1 (RESIDENSE)	D2	0.76	2.10	04
A1 (RESIDENSE)	D1	0.91	2.10	02
A1 (RESIDENSE)	D	1.07	2.10	09

SCHEDULE OF WINDOW/VENTILATION:

BUILDING NAME	NAME	LENGTH	HEIGHT	NOS
A1 (RESIDENSE)	V	0.61	1.20	04
A1 (RESIDENSE)	W1	1.22	1.20	06
A1 (RESIDENSE)	W	1.52	1.20	12

UnitBUA Table for Building :A1 (RESIDENSE)

FLOOR	Name	UnitBUA Type	UnitBUA Area	Carpet Area	No. of Rooms	No. of Tenement
GROUND FLOOR PLAN	SPLIT 1	FLAT	102.98	102.60	9	1
FIRST FLOOR PLAN	SPLIT 2	FLAT	102.98	102.60	9	1
Total:	-	-	205.96	205.20	18	2

LTP NAME AND SIGNATURE	STRUCTURAL ENG'S NAME AND SIGNATURE	BUILDER NAME AND SIGNATURE	DIGITAL SIGNATURE
RAM RATAN SINGH SINPC/DFTMN/0003/2020			