

SITE PLAN

SITE PLAN

FAR & Tenement Details (Table 4c-1)

Building	No. of Same Bldg	Total Built Up Area (Sq.mt.)	Proposed FAR Area (Sq.mt.) Resi.	Total FAR Area (Sq.mt.)	Total Consumed Additional FAR Area (Sq.mt.)	Tnmt (No.)
A (GLORIA SUSANNA TETE)	1	509.14	509.14	509.14	509.14	01
Grand Total :	1	509.14	509.14	509.14	509.14	01

Proposal Basic Information

Proposal File No.	SINPC/BP/0221/W03/2021
Owner Name	GLORIA SUSANNA TETE
Khata No	57
Plot No	4737/4738
Village Name	Gotra
Use	Residential
SubUse	Bungalow/ Dwelling / Non Apartment

AREA STATEMENT SIMDEGA NAGAR PANCHAYAT	VERSION NO. : 1.0.62	VERSION DATE: 16/10/2020
PROJECT DETAIL:		
Region: JHARKHAND URBAN LOCAL BODIES	Plot Use: Residential	
District: SIMDEGA	Plot SubUse: Bungalow/ Dwelling / Non Apartment	
Authority: SIMDEGA NAGAR PANCHAYAT	PlotNearbyReligiousStructure: NA	
Inward No: SINPC/BP/0221/W03/2021	PlotSubPlot No: 4737/4738	
Application Type: General Proposal	North: -	
Project Type: Building Permission	South: -	
Nature of Development: New	East: -	
Location of Development Area: New Area	West: -	
AREA DETAILS:		
AREA OF PLOT (Minimum)	(A)	364.35
Deduction for NetPlot Area		
Surrender Free of Cost		16.26
Total		16.26
NET AREA OF PLOT(Gross Plot Area - Deduction from Gross Plot area)	(A-Deductions)	348.09
Deduction for Balance Plot Area(from Gross Plot Area)		
Surrender Free of Cost		16.26
Common Plot		55.82
Total		72.09
BALANCE AREA OF PLOT(Net Plot Area - Recreational/Amenity space)	(A-Deductions)	292.26
PLOT AREA FOR COVERAGE(Net Plot Area)	(A-Deductions)	348.09
Plot Area for FAR (Net Plot Area + RoadWidening Area)	(A-Deductions)	364.35
COVERAGE CHECK		
Permissible Coverage area (60.00 %)		208.85
Proposed Coverage Area (44.31 %)		154.24
Total Prop. Coverage Area (44.31 %)		154.24
Balance coverage area (15.69 %)		54.61
FAR CHECK		
Perm. FAR Area (1.50)		546.53
Total Perm. FAR area		546.53
Residential FAR		509.13
Proposed FAR Area		509.13
Total Proposed FAR Area		509.13
Consumed FAR (Factor)		1.40
Balance FAR Area		37.40
BUILT UP AREA CHECK		
Total Proposed BuiltUp Area		509.14
ARCHITECT (Regd)		MD RAGIB SAYEED
ENGINEER (Regd)		
SUPERVISOR (Regd)		
OWNER (Regd)		GLORIA SUSANNA TETE
DEVELOPMENT AUTHORITY		LOCAL BODY

COLOR INDEX	
PLOT BOUNDARY	Black
ABUTTING ROAD	Green
PROPOSED CONSTRUCTION	Red
COMMON PLOT	Yellow
ROAD WIDENING AREA	Blue
EXISTING (To be retained)	Blue
EXISTING (To be demolished)	Yellow

Buildingwise Floor FAR Details

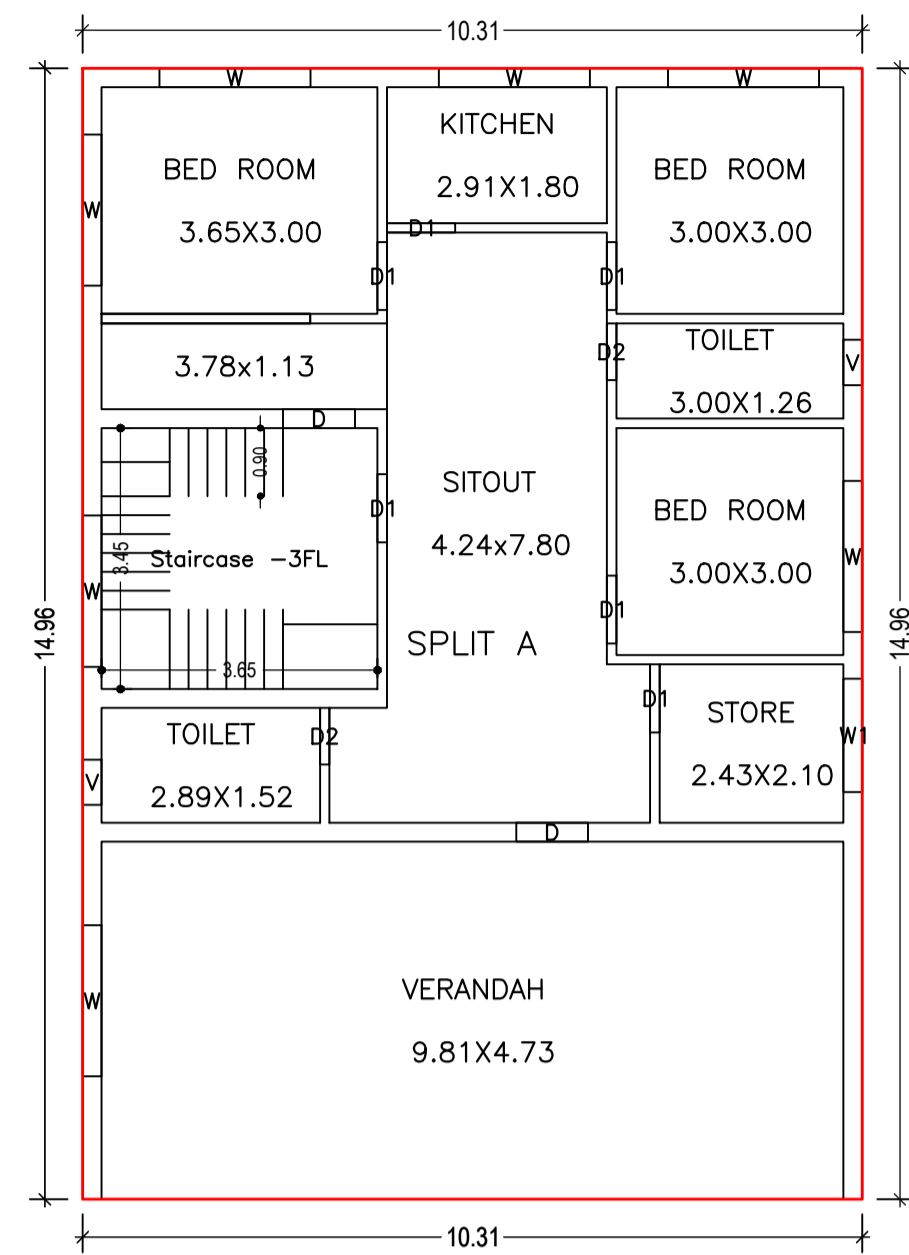
Floor Name	Building Name		Total	
	Proposed Built Up Area (Sq.mt.)	Proposed FAR Area (Sq.mt.)	Total Proposed Built Up Area (Sq.mt.)	Total FAR Area (Sq.mt.)
Ground Floor	154.24	154.24	154.24	154.24
First Floor	177.45	177.45	177.45	177.45
Second Floor	177.45	177.45	177.45	177.45
Terrace Floor	0.00	0.00	0.00	0.00
Total :	509.14	509.14	509.14	509.14

Building USE/SUBUSE Details

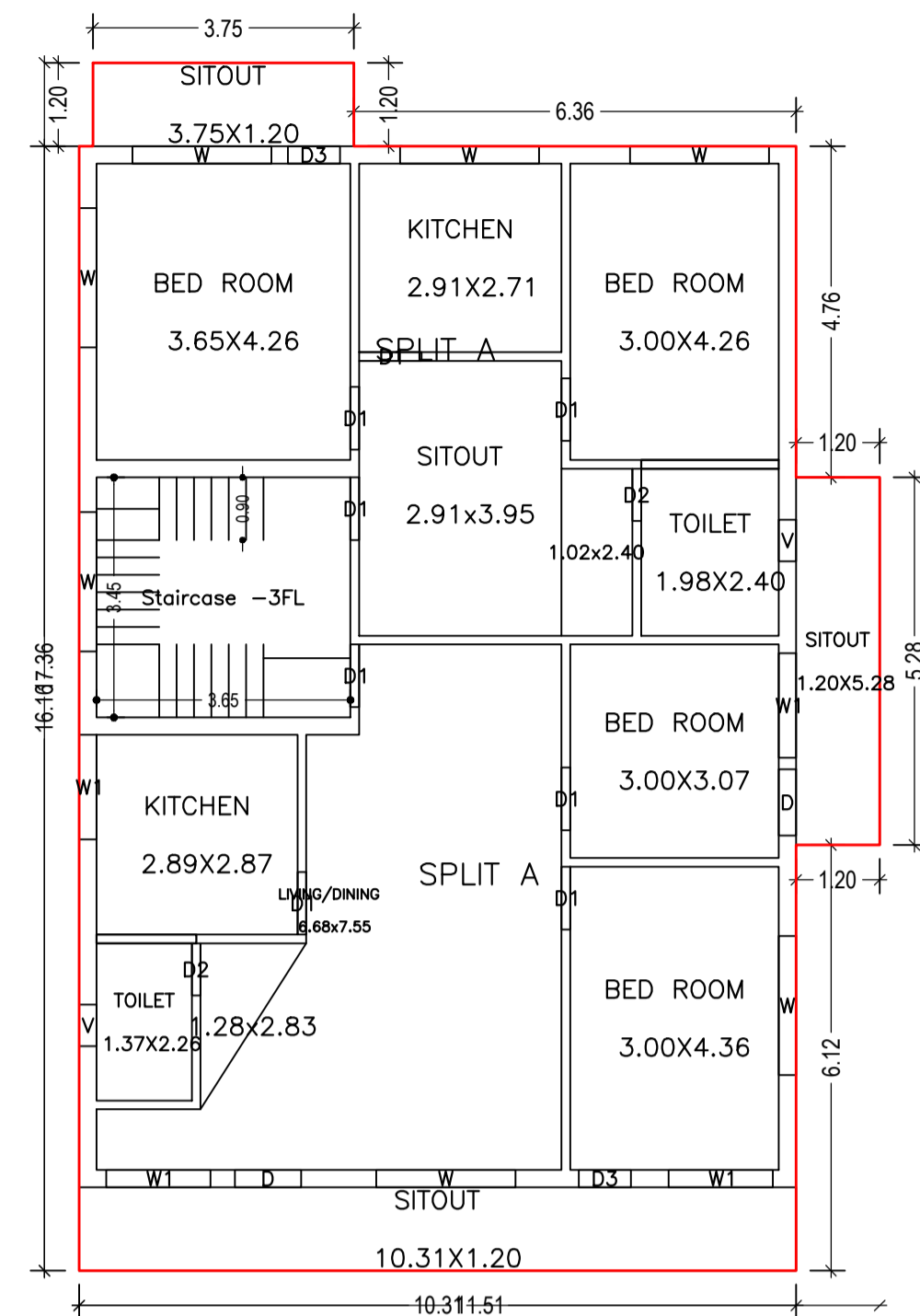
Building Name	Building Use	Building SubUse	Building Structure
A (GLORIA SUSANNA TETE)	Residential	Bungalow/ Dwelling / Non Apartment	Non-Highrise

LTP NAME AND SIGNATURE	STRUCTURAL ENG'S NAME AND SIGNATURE	BUILDER NAME AND SIGNATURE	DIGITAL SIGNATURE
MD RAGIB SAYEED SINPC/ENG/0001/2017			

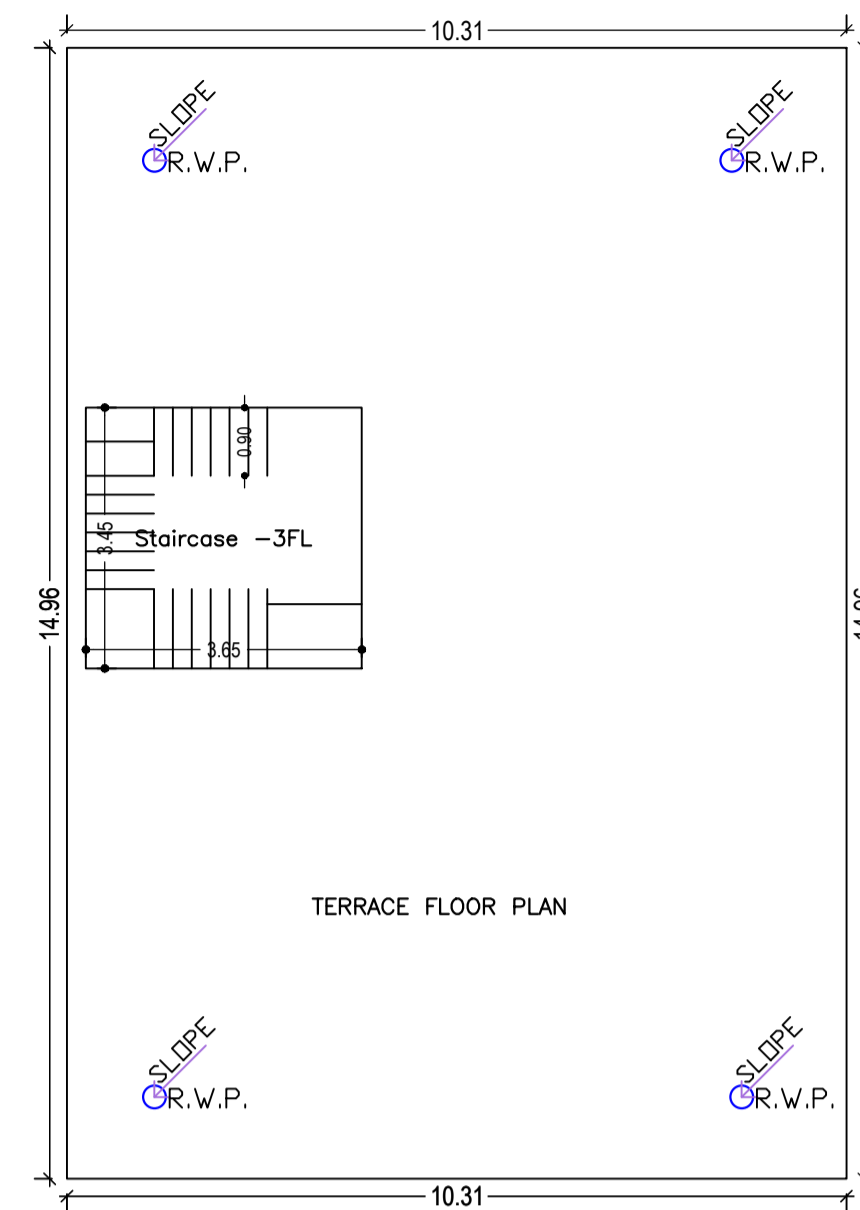
Proposal Basic Information	
Proposal File No.	SINPC/IBP/0221/W03/2021
Owner Name	GLORIA SUSANA TETE
Khata No	57
Plot No	4737/4738
Village Name	Gotra
Use	Residential
SubUse	Bungalow/ Dwelling / Non Apartment



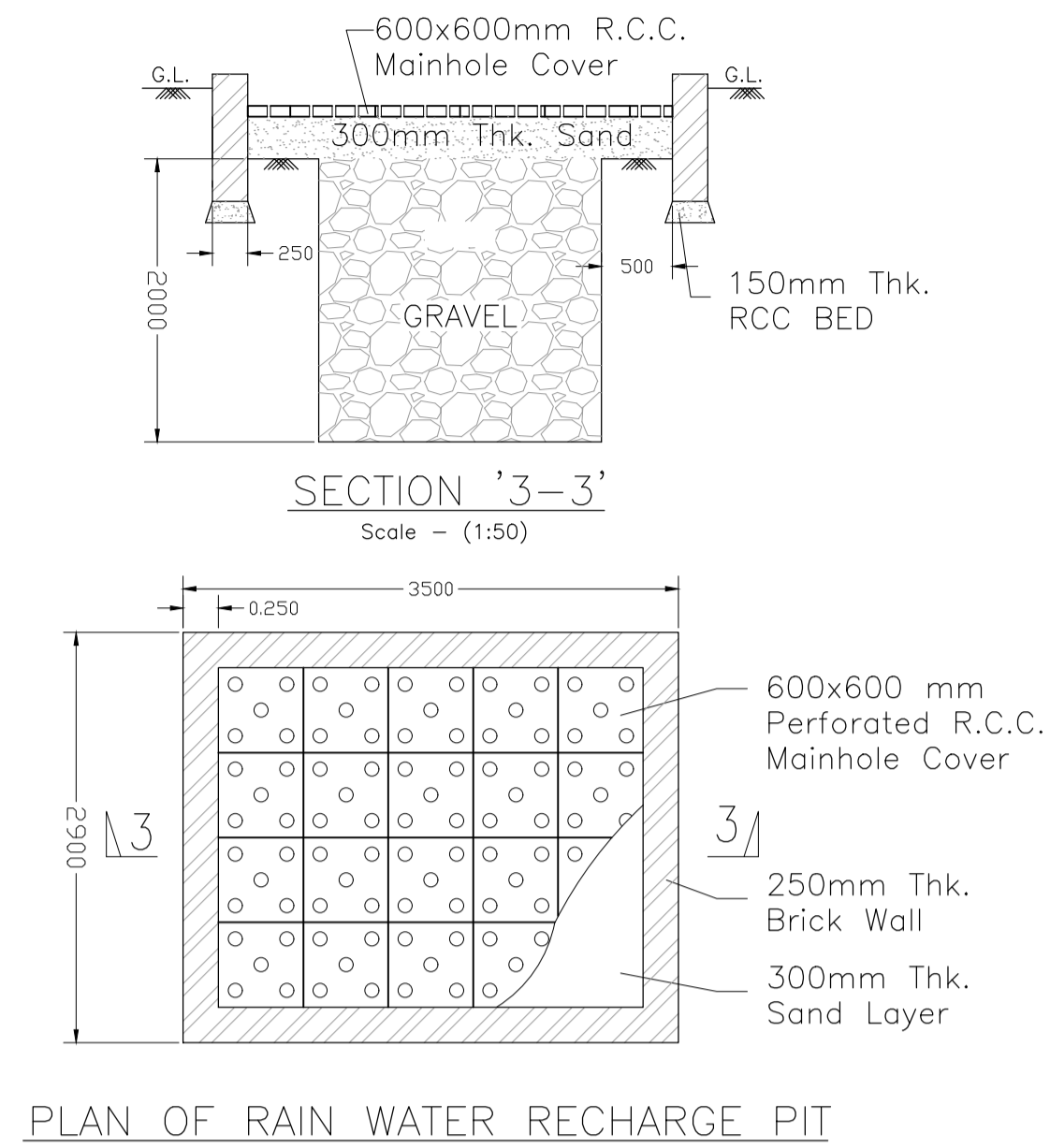
GROUND FLOOR PLAN (Proposed) (SCALE 1:100)



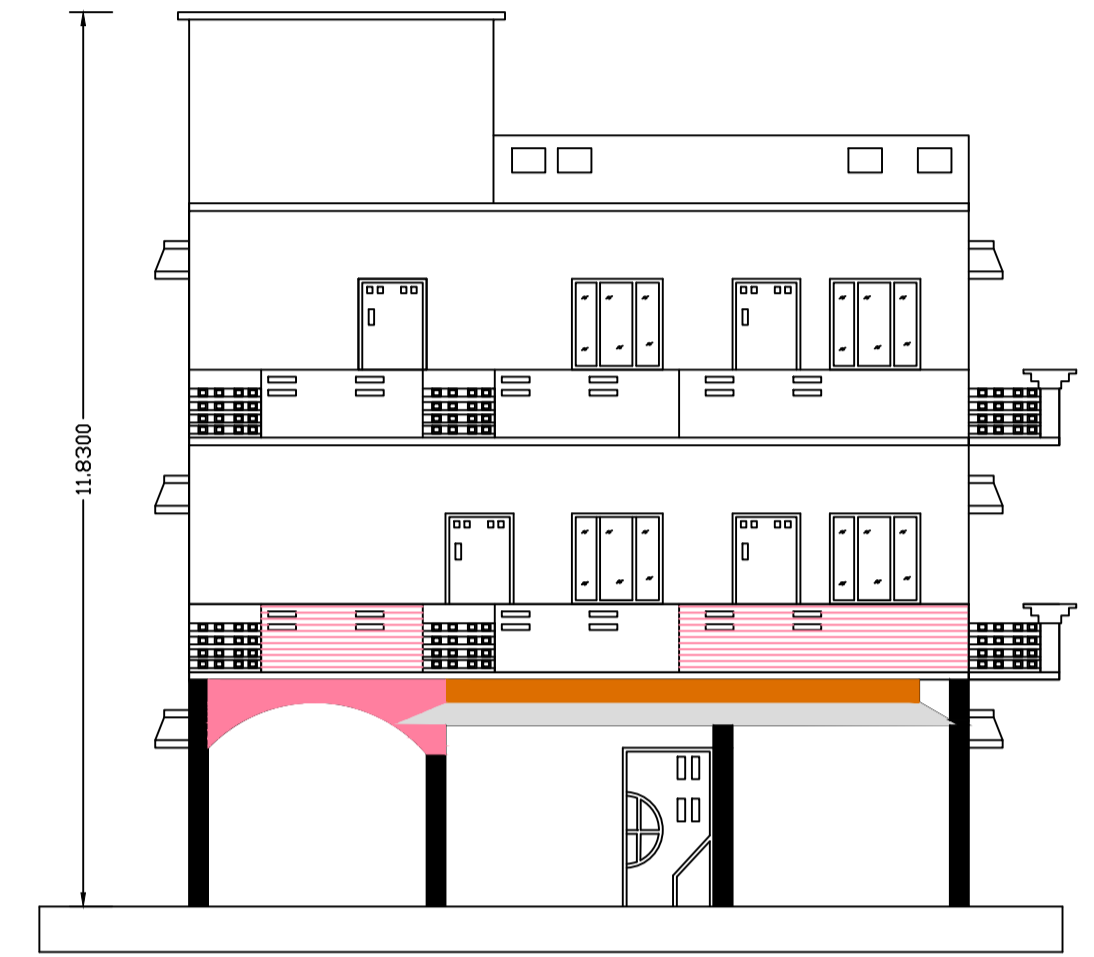
SECOND FLOOR PLAN (Proposed) (SCALE 1:100)



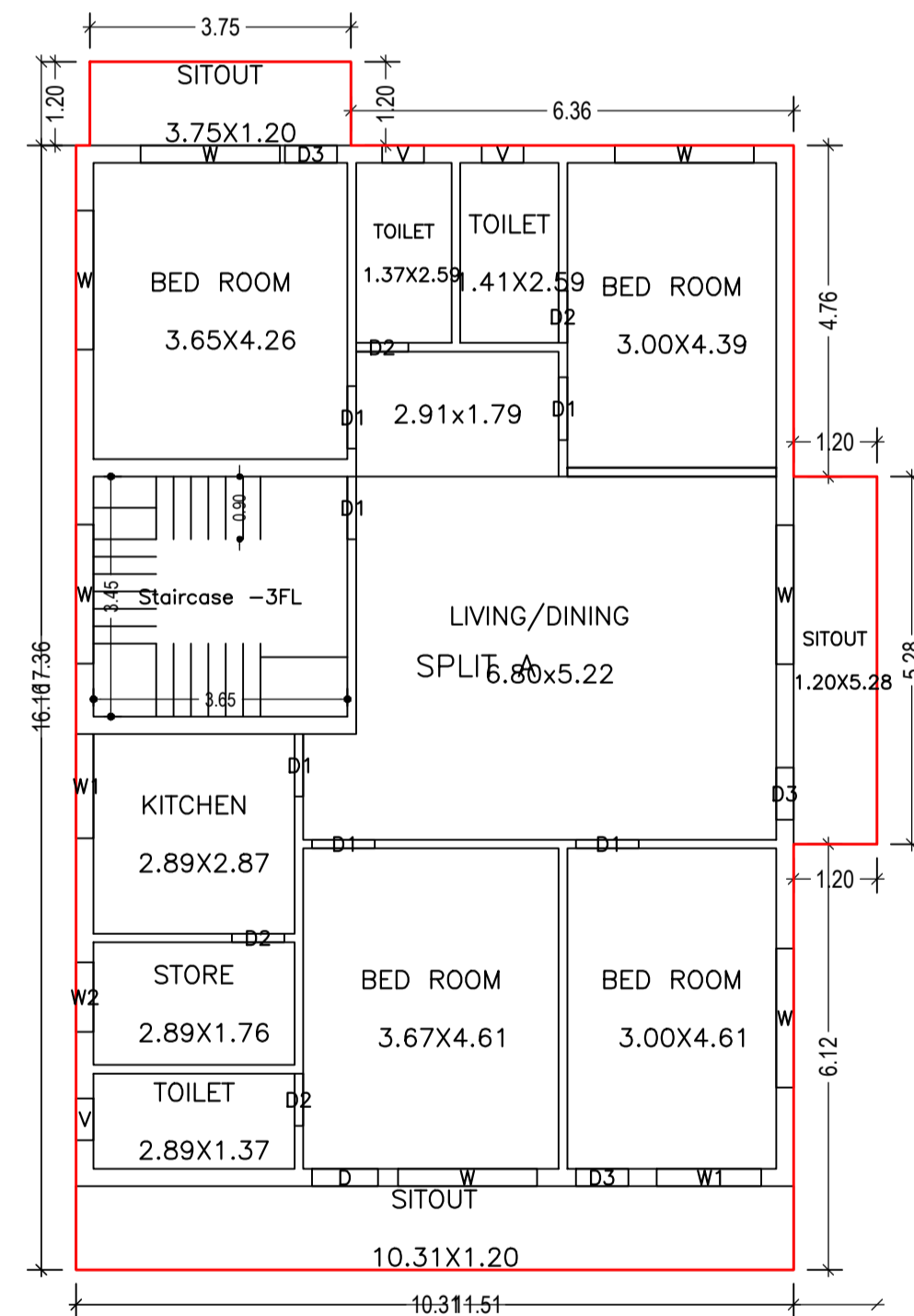
TERRACE FLOOR PLAN (SCALE 1:100)



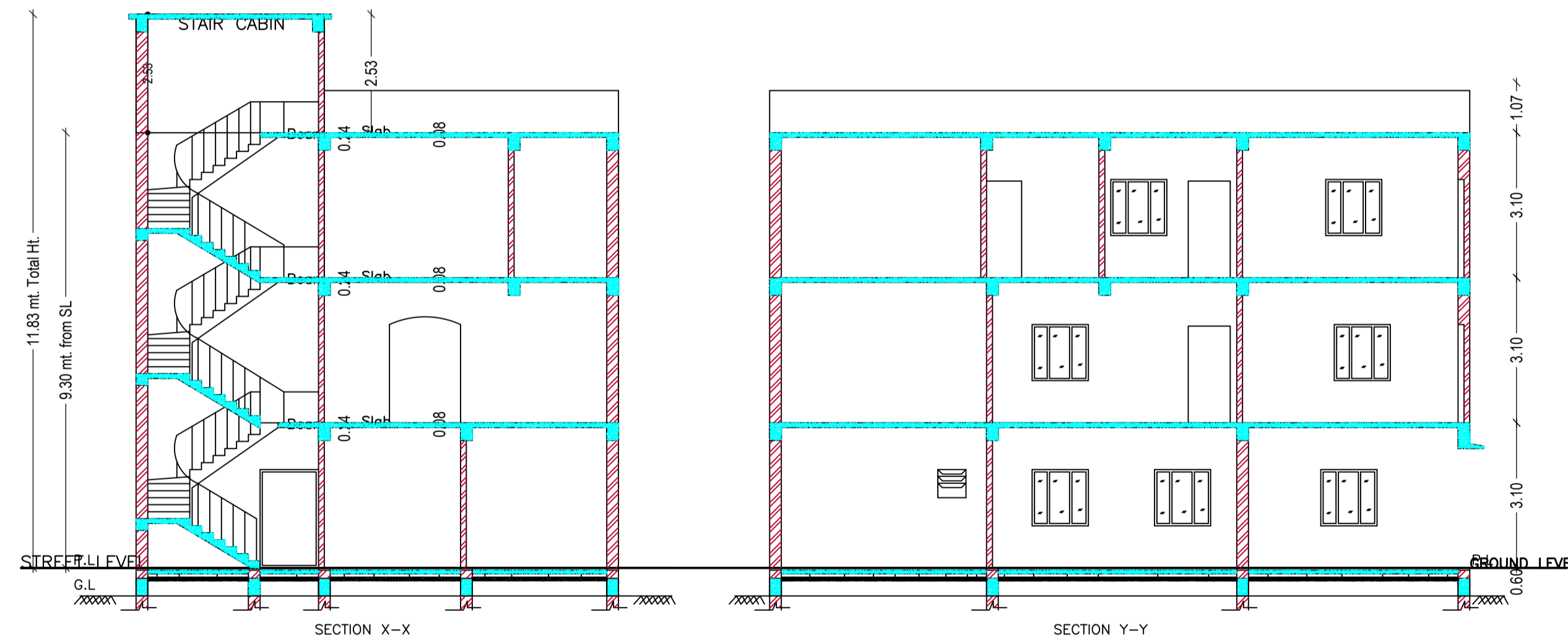
PLAN OF RAIN WATER RECHARGE PIT



FRONT ELEVATION



FIRST FLOOR PLAN (Proposed) (SCALE 1:100)



SECTION X-X

SECTION Y-Y



SIDE ELEVATION

SCHEDULE OF DOOR:

BUILDING NAME	NAME	LENGTH	HEIGHT	NOS
A (GLORIA SUSANNA TETE)	D3	0.75	2.13	05
A (GLORIA SUSANNA TETE)	D2	0.75	2.13	08
A (GLORIA SUSANNA TETE)	D1	0.90	2.13	20
A (GLORIA SUSANNA TETE)	D	0.95	2.13	05

SCHEDULE OF WINDOW/VENTILATION:

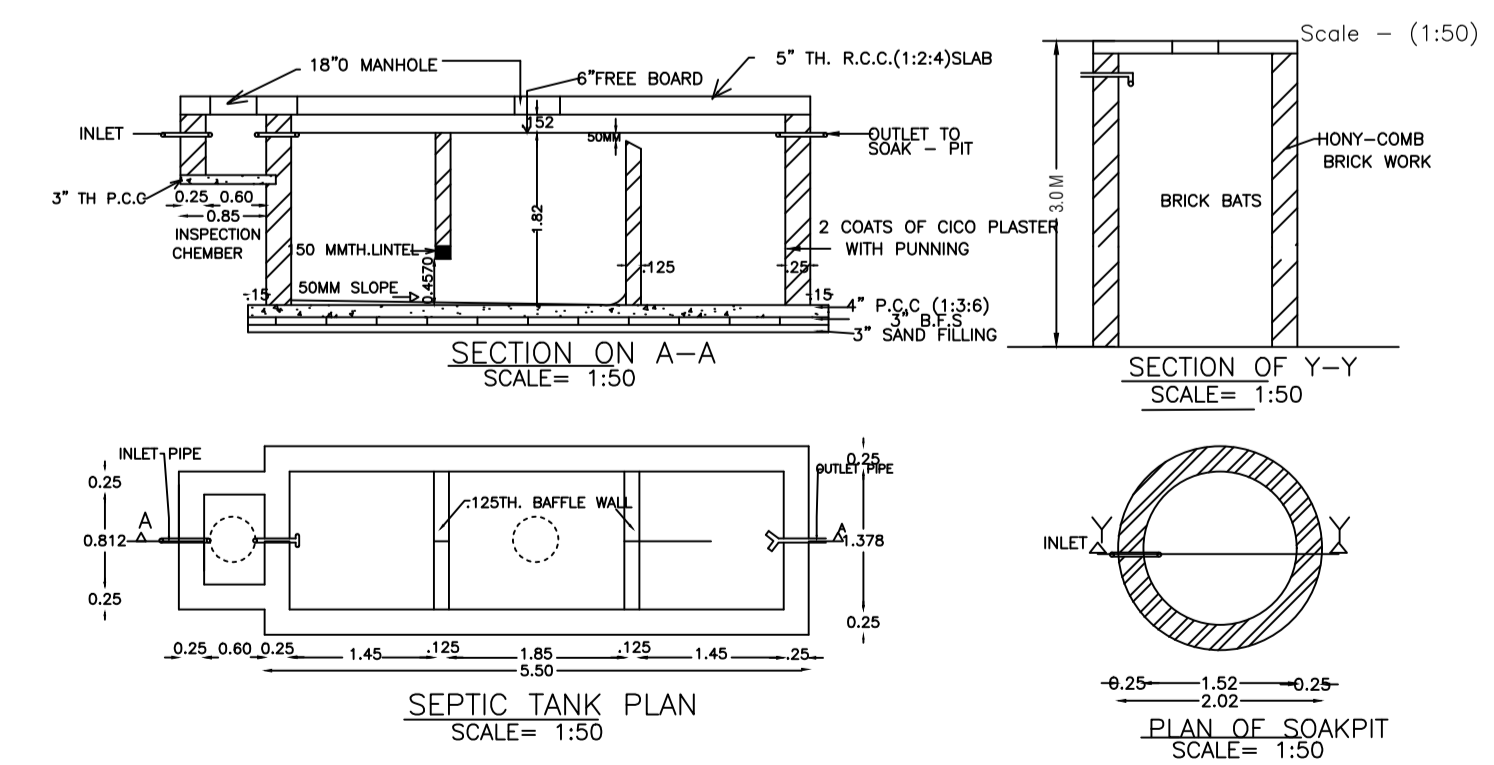
BUILDING NAME	NAME	LENGTH	HEIGHT	NOS
A (GLORIA SUSANNA TETE)	V	0.60	2.70	07
A (GLORIA SUSANNA TETE)	W2	1.00	2.70	01
A (GLORIA SUSANNA TETE)	W1	1.50	2.70	07
A (GLORIA SUSANNA TETE)	W	2.00	2.70	21

UnitBUA Table for Building :A (GLORIA SUSANNA TETE)

FLOOR	Name	UnitBUA Type	UnitBUA Area	Carpet Area	No. of Rooms	No. of Tenement
GROUND FLOOR PLAN	SPLIT A	FLAT	437.74	436.59	9	1
FIRST FLOOR PLAN	SPLIT A	FLAT	0.00	0.00	13	0
SECOND FLOOR PLAN	SPLIT A	FLAT	0.00	0.00	6	0
FLOOR PLAN	SPLIT A	FLAT	0.00	0.00	7	0
Total:	-	-	437.74	436.59	35	1

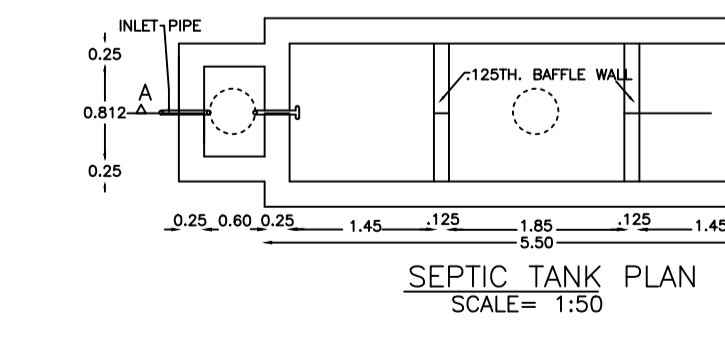
Building :A (GLORIA SUSANNA TETE)

Floor Name	Total Built Up Area (Sq.mt.)	Proposed FAR Area (Sq.mt.) Resi.	Total FAR Area (Sq.mt.)	Total Consumed Additional FAR Area (Sq.mt.)	Tnmt (No.)
Ground Floor	154.24	154.24	154.24	154.24	01
First Floor	177.45	177.45	177.45	177.45	00
Second Floor	177.45	177.45	177.45	177.45	00
Terrace Floor	0.00	0.00	0.00	0.00	00
Total:	509.14	509.14	509.14	509.14	01
Total Number of Same Buildings	1				
Total:	509.14	509.14	509.14	509.14	01



SECTION ON A-A SCALE= 1:50

SECTION OF Y-Y SCALE= 1:50

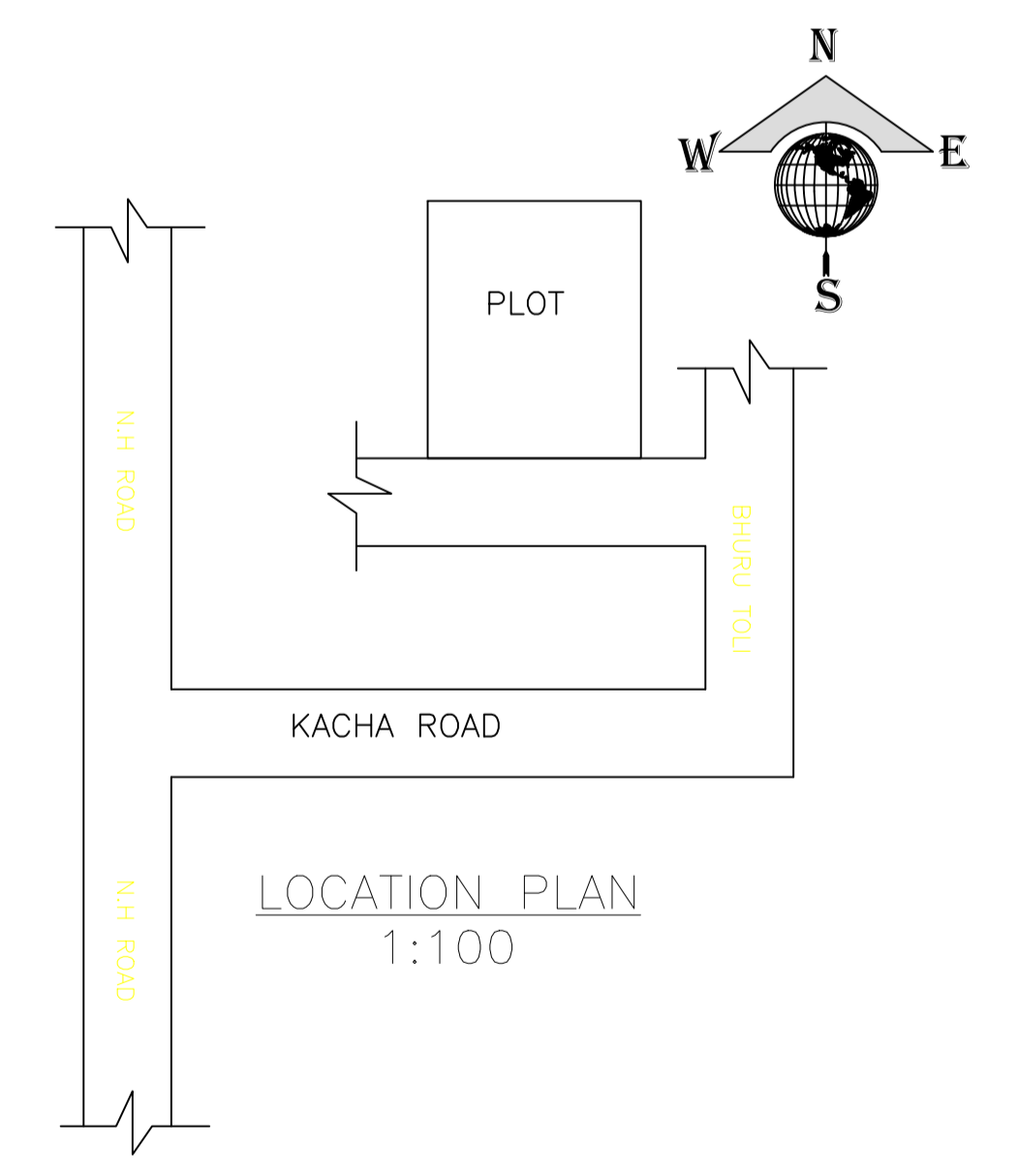
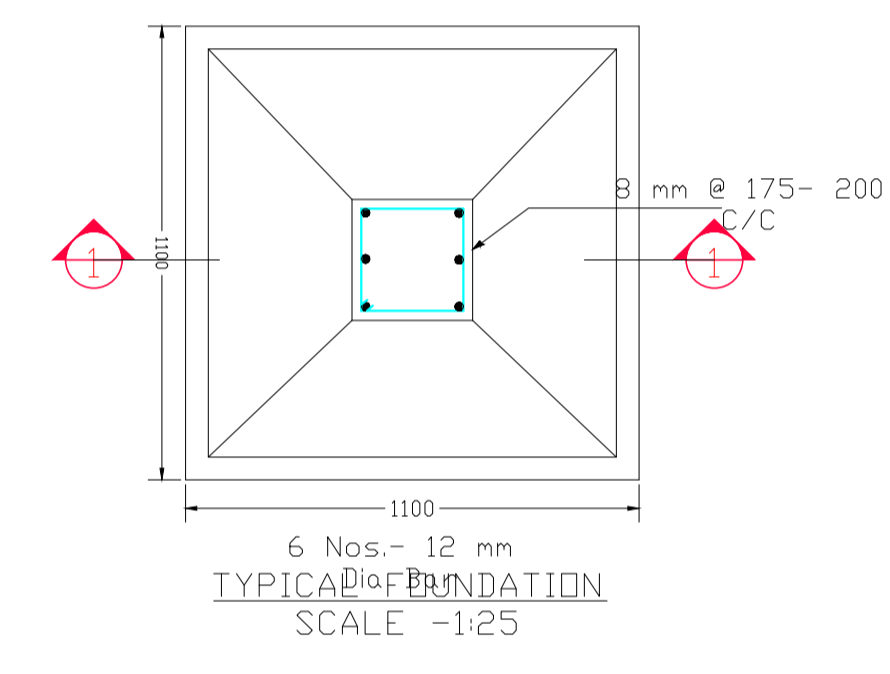
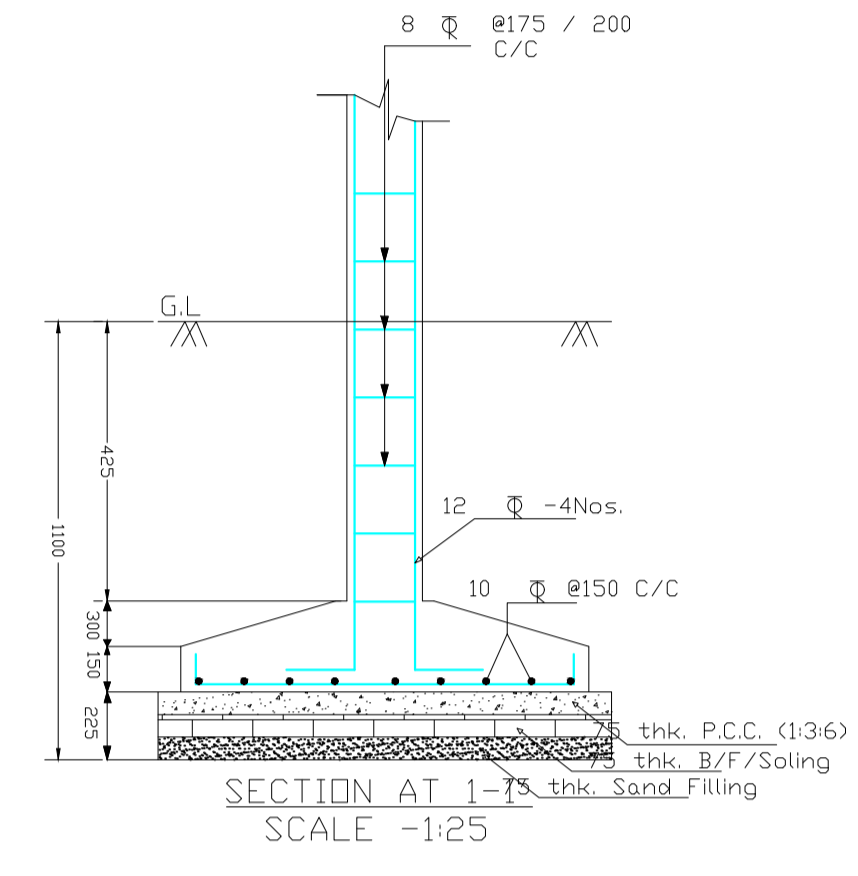


SEPTIC TANK PLAN SCALE= 1:50

PLAN OF SOAKPIT SCALE= 1:50

LTP NAME AND SIGNATURE	STRUCTURAL ENG'S NAME AND SIGNATURE	BUILDER NAME AND SIGNATURE	DIGITAL SIGNATURE
MD RAGIB SAYEED SINPC/ENG/0001/2017			

Proposal Basic Information	
Proposal File No.	SINPC/BP/0221/W03/2021
Owner Name	GLORIA SUSANA TETE
Khata No	57
Plot No	4737/4738
Village Name	Gotra
Use	Residential
SubUse	Bungalow/ Dwelling / Non Apartment



LTP NAME AND SIGNATURE	STRUCTURAL ENG'S NAME AND SIGNATURE	BUILDER NAME AND SIGNATURE	DIGITAL SIGNATURE
MD RAGIB SAYEED SINPC/ENG/0001/2017			