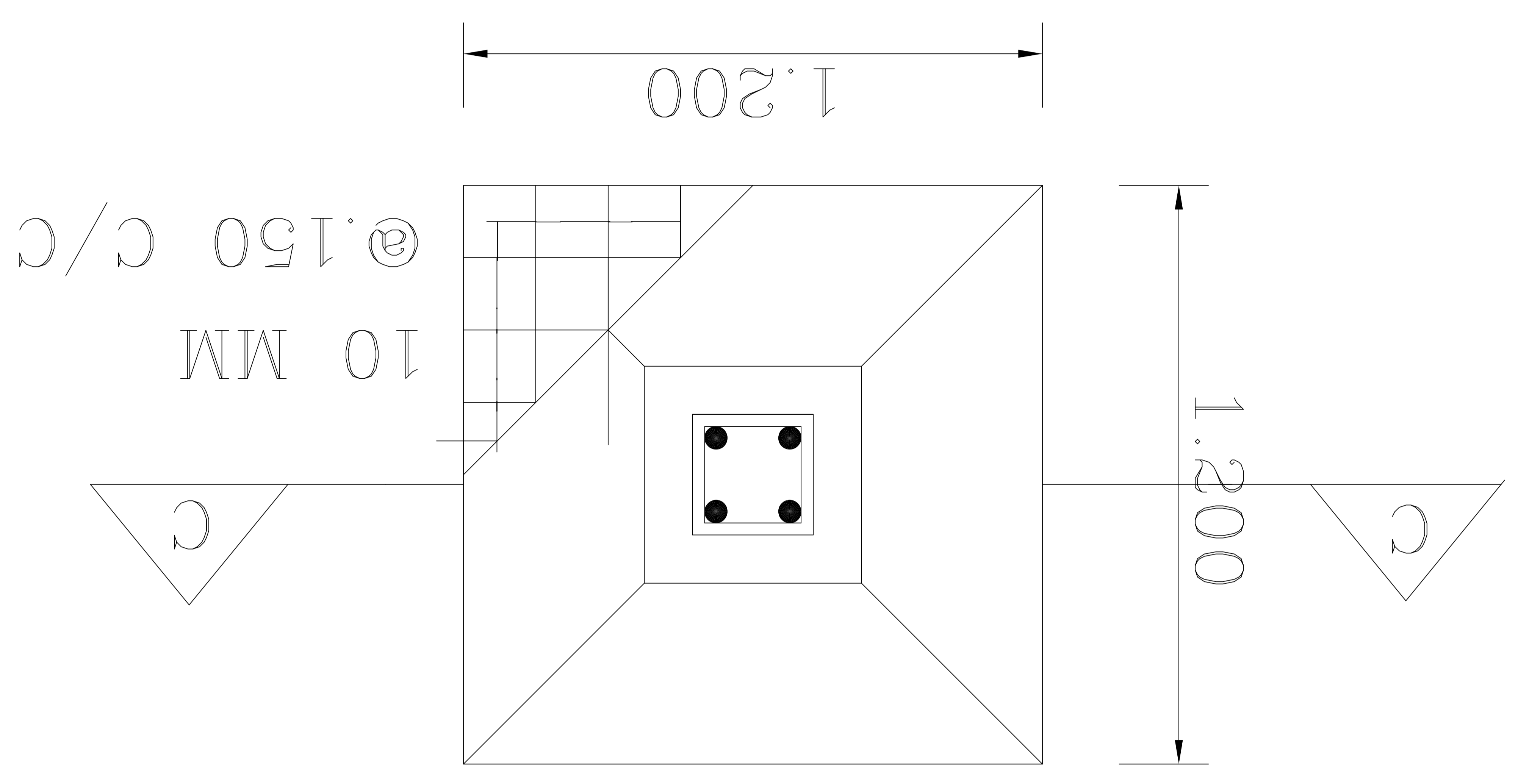


(SCALE - 1:50)

# R.C.C. COLUMN FOUNDN.

## PLAN



## SECTION C - C

