

SITE PLAN

FAR & Tenement Details (Table 4c-1)

Building	No. of Same Bldg	Total Built Up Area (Sq.mt.)	Proposed FAR Area (Sq.mt.) Resi.	Total FAR Area (Sq.mt.)	Total Consumed Additional FAR Area (Sq.mt.)	Tnmt (No.)
A1 (RESIDENCE)	1	184.12	184.12	184.12	184.12	01
Grand Total	1	184.12	184.12	184.12	184.12	01

Proposal Basic Information

Proposal File No.	SINPC/BP/0225/W05/2021
Owner Name	HEMLATA KUMARI
Khata No	109
Plot No	5193
Village Name	Gotra
Use	Residential
SubUse	Bungalow/ Dwelling / Non Apartment

AREA STATEMENT SIMDEGA NAGAR PANCHAYAT	VERSION NO: 1.0.55	VERSION DATE: 16/10/2020
PROJECT DETAIL:		
Region: JHARKHAND URBAN LOCAL BODIES	Plot Use: Residential	
District: SIMDEGA	Plot SubUse: Bungalow/ Dwelling / Non Apartment	
Authority: SIMDEGA NAGAR PANCHAYAT	PlotNearbyReligiousStructure: NA	
Inward No: SINPC/BP/0225/W05/2021	Plot/SubPlot No: 5193	
Application Type: General Proposal	North: -	
Project Type: Building Permission	South: -	
Nature of Development: New	East: -	
Location of Development Area: Old Area	West: -	
AREA DETAILS:		
AREA OF PLOT (Minimum)	(A)	157.42
NET AREA OF PLOT(Gross Plot Area - Deduction from Gross Plot area)	(A-Deductions)	157.42
Deduction for Balance Plot Area(from Gross Plot Area)		
Common Plot		16.86
Total		16.86
BALANCE AREA OF PLOT(Net Plot Area - Recreational/Amenity space)	(A-Deductions)	140.56
PLOT AREA FOR COVERAGE(Net Plot Area)	(A-Deductions)	157.42
Plot Area for FAR (Net Plot Area + Road Widening Area)	(A-Deductions)	157.42
COVERAGE CHECK		
Permissible Coverage area ( 70.00 % )		110.19
Proposed Coverage Area ( 58.48 % )		92.06
Total Prop. Coverage Area ( 58.48 % )		92.06
Balance coverage area ( 11.52 % )		18.13
FAR CHECK		
Perm. FAR Area ( 1.50 )		236.13
Total Perm. FAR area		236.13
Residential FAR		184.12
Proposed FAR Area		184.12
Total Proposed FAR Area		184.12
Consumed FAR (Factor)		1.17
Balance FAR Area		52.01
BUILT UP AREA CHECK		
Total Proposed BuiltUp Area		184.12
ARCHITECT (Regd)		RAM RATAN SINGH
ENGINEER (Regd)		
SUPERVISOR (Regd)		
OWNER (Regd)		HEMLATA KUMARI
DEVELOPMENT AUTHORITY		LOCAL BODY

COLOR INDEX	
PLOT BOUNDARY	Black
ABUTTING ROAD	Green
PROPOSED CONSTRUCTION	Red
COMMON PLOT	Yellow
ROAD WIDENING AREA	Orange
EXISTING (To be retained)	Blue
EXISTING (To be demolished)	Light Blue

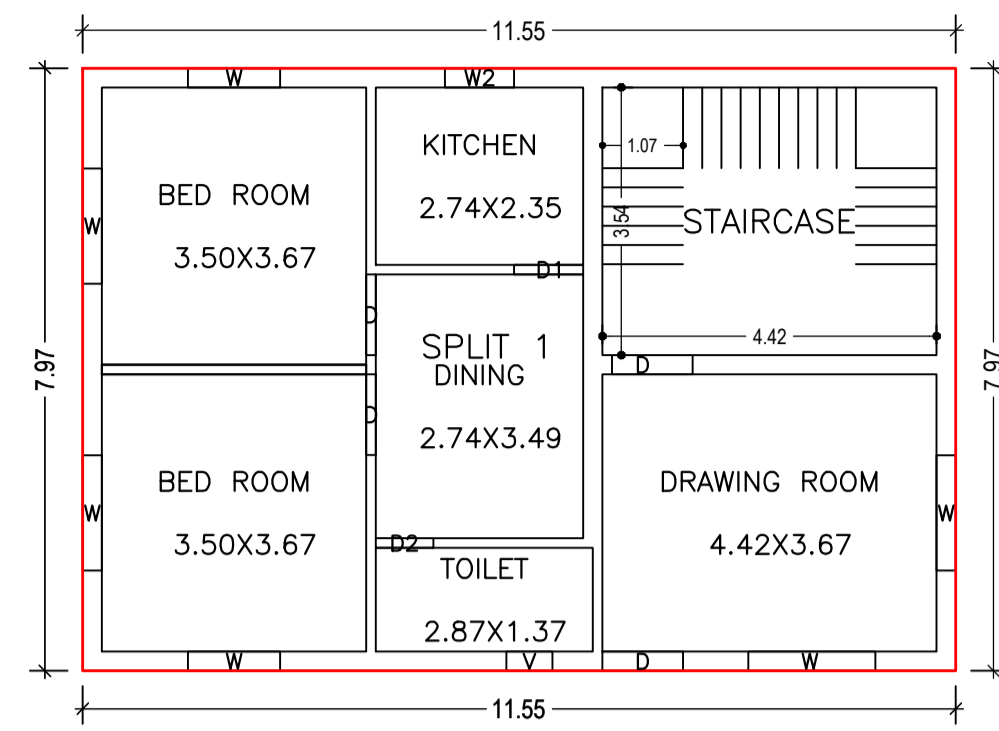
Buildingwise Floor FAR Details

Floor Name	Building Name A1 (RESIDENCE)		Total	
	Proposed Built Up Area (Sq.mt.)	Proposed FAR Area (Sq.mt.)	Total Proposed Built Up Area (Sq.mt.)	Total FAR Area (Sq.mt.)
Ground Floor	92.06	92.06	92.06	92.06
First Floor	92.06	92.06	92.06	92.06
Terrace Floor	0.00	0.00	0.00	0.00
Total	184.12	184.12	184.12	184.12

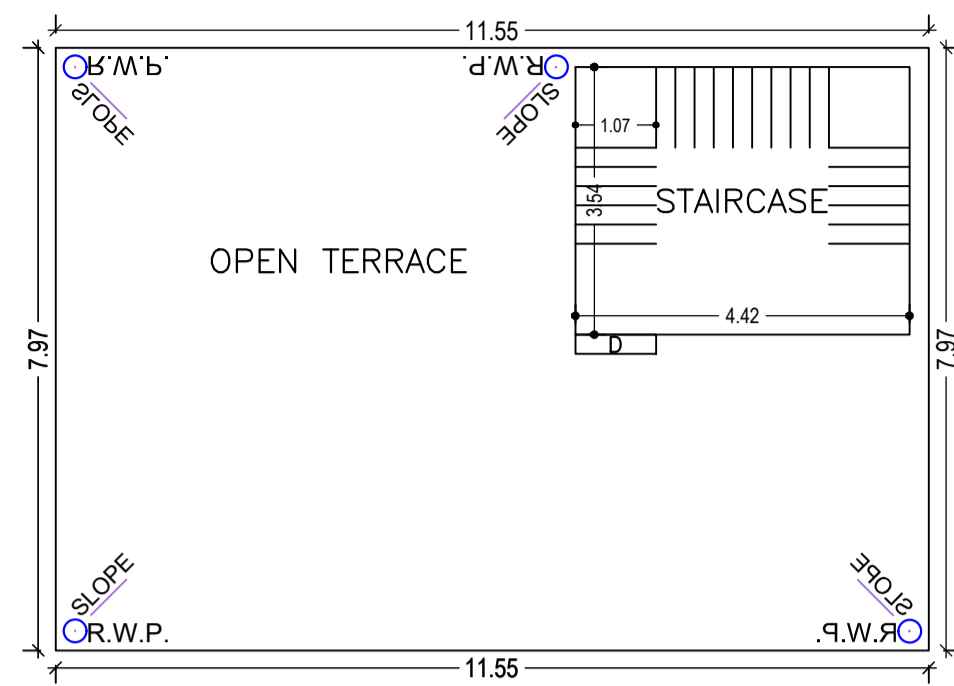
Building USE/SUBUSE Details

Building Name	Building Use	Building SubUse	Building Structure
A1 (RESIDENCE)	Residential	Residential Bldg/Apartment	Non-Highrise

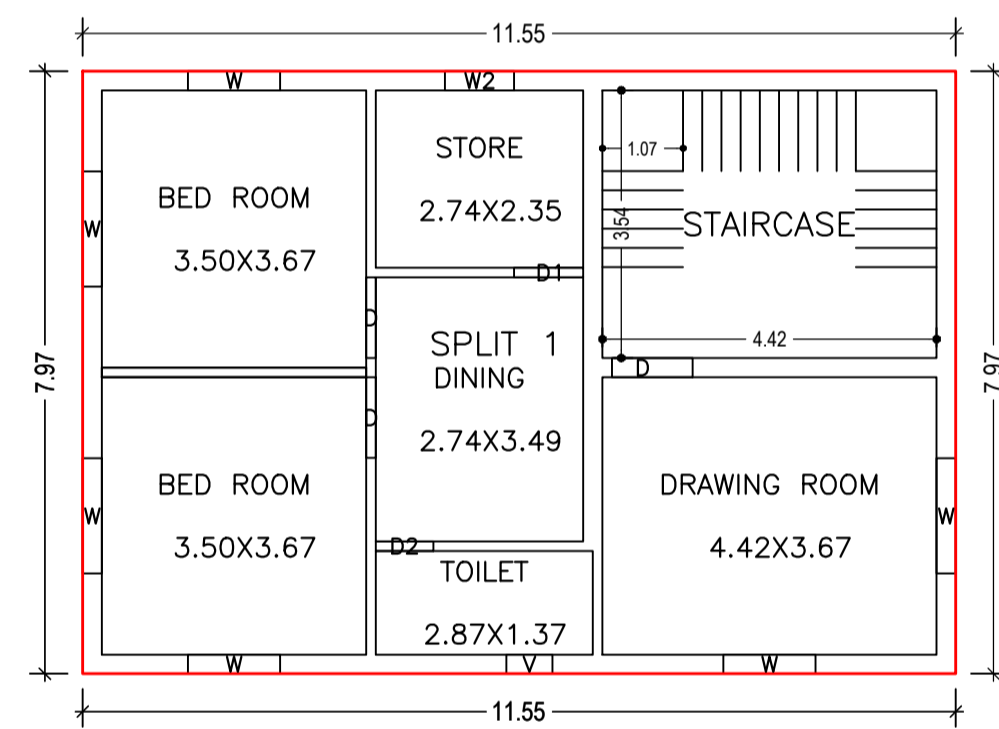
LTP NAME AND SIGNATURE	STRUCTURAL ENG'S NAME AND SIGNATURE	BUILDER NAME AND SIGNATURE	DIGITAL SIGNATURE
RAM RATAN SINGH SINPC/DFTMN/0003/2020			



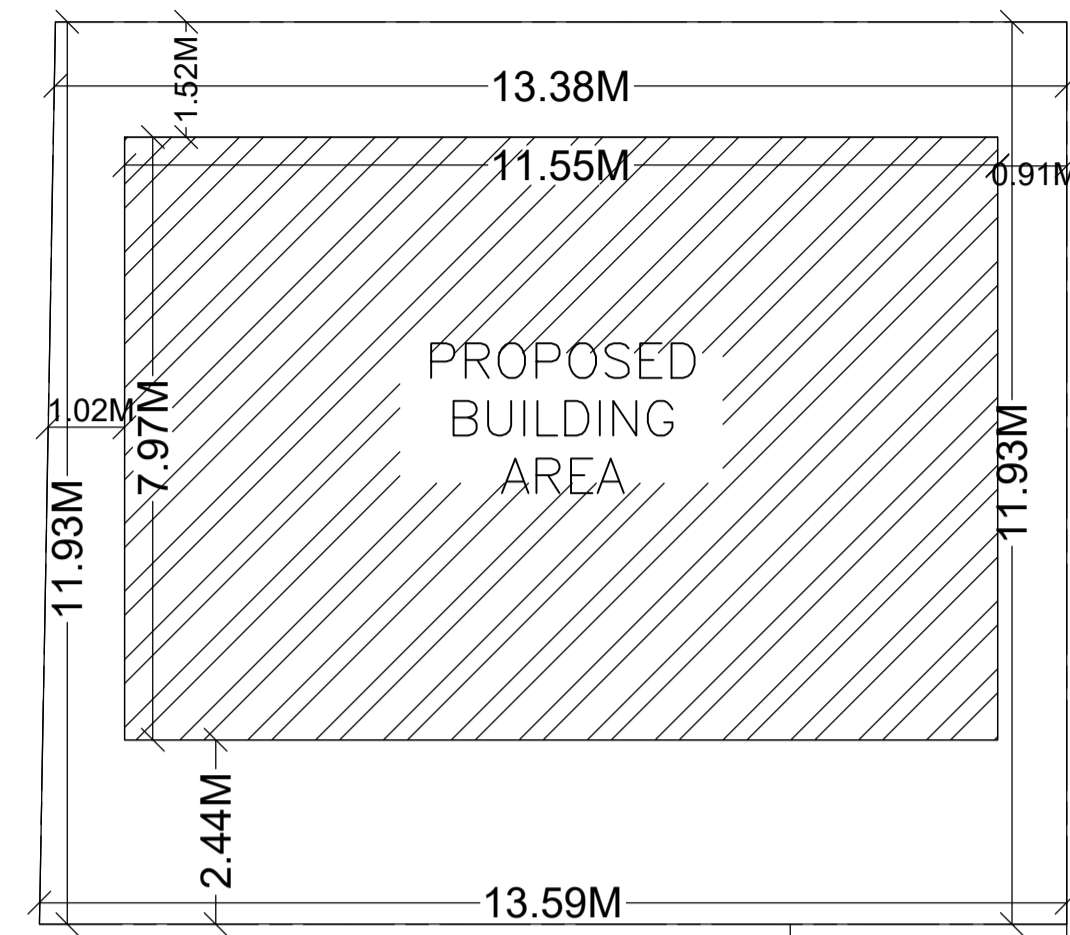
GROUND FLOOR PLAN (Proposed) (SCALE 1:100)



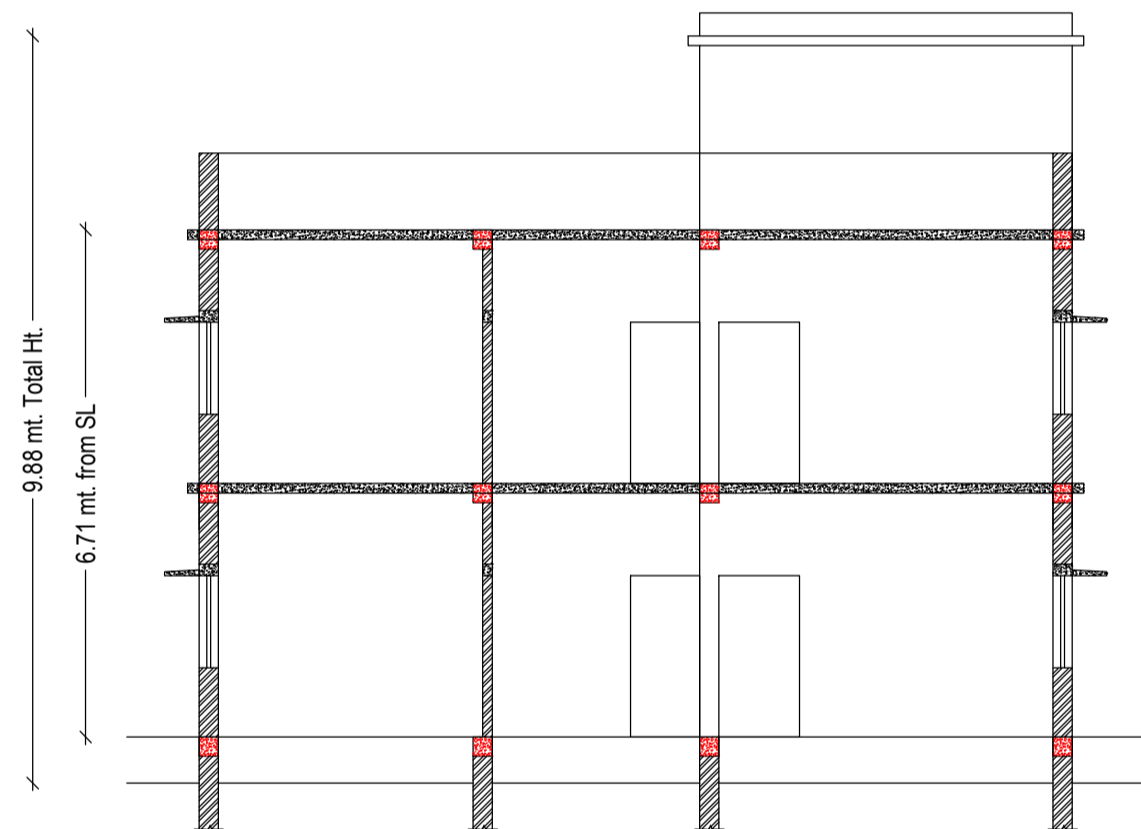
TERRACE FLOOR PLAN (SCALE 1:100)



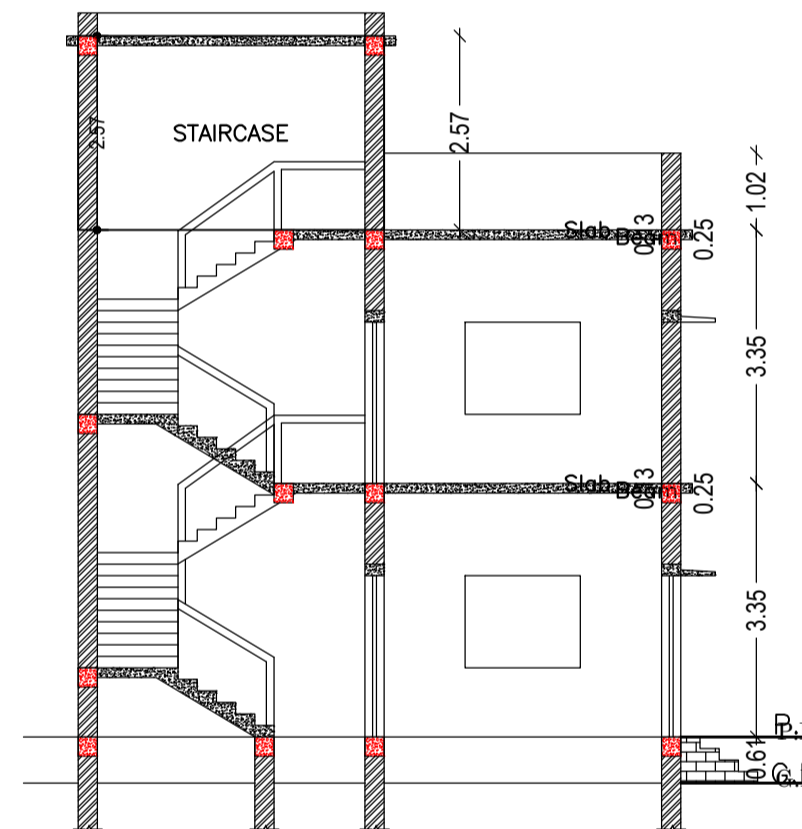
FIRST FLOOR PLAN (Proposed) (SCALE 1:100)



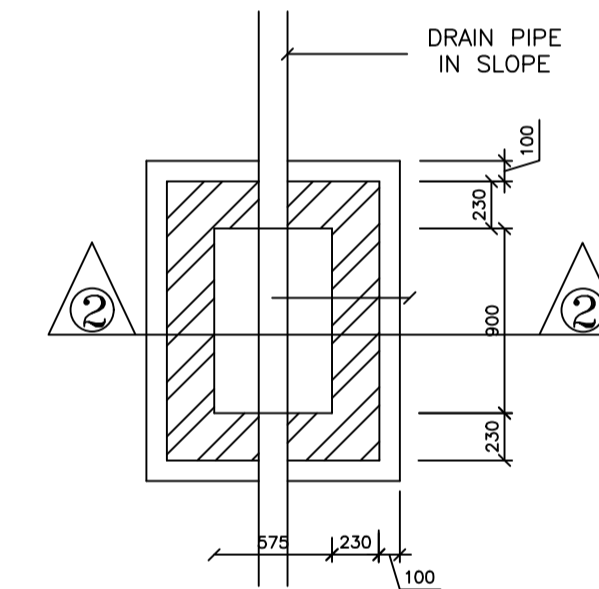
KEY PLAN SCALE 1:100



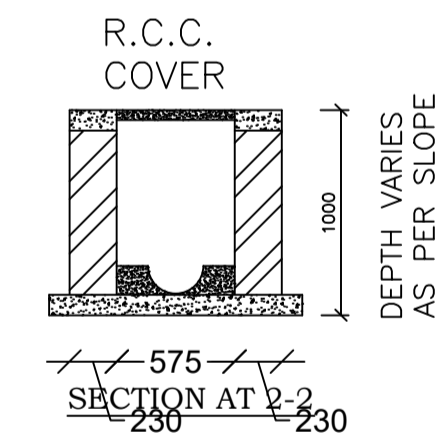
SECTION AT-X-X SCALE 1:100



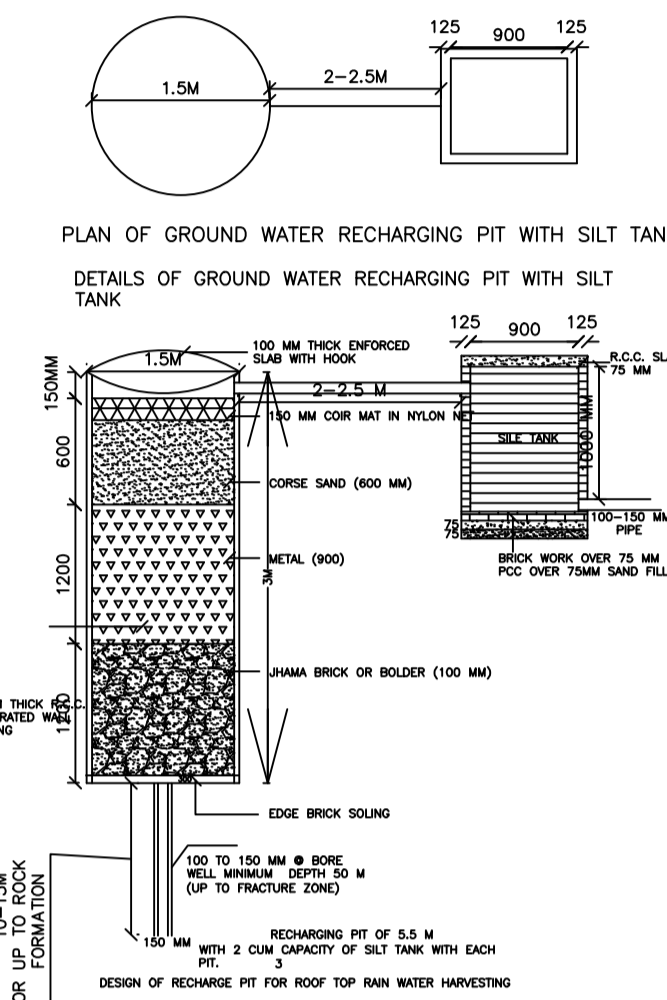
SECTION AT-Y-Y SCALE 1:100



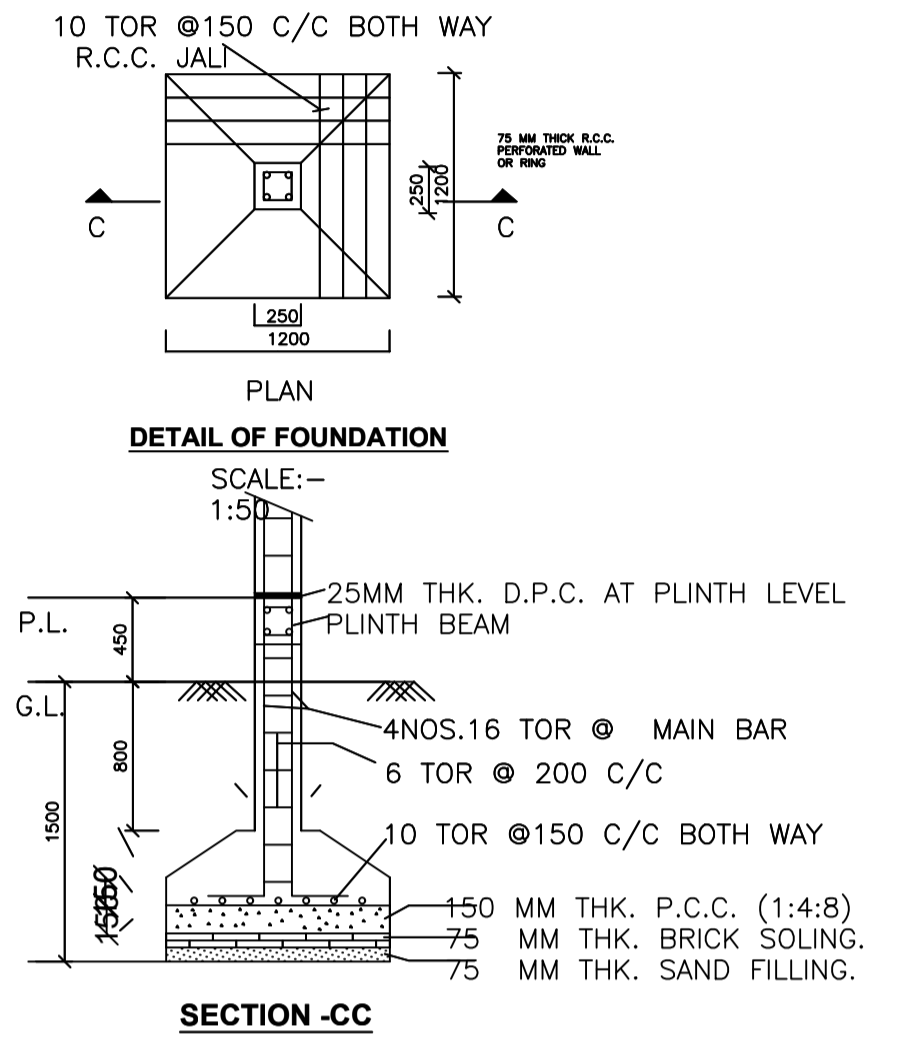
PLAN I.C. DETAILS



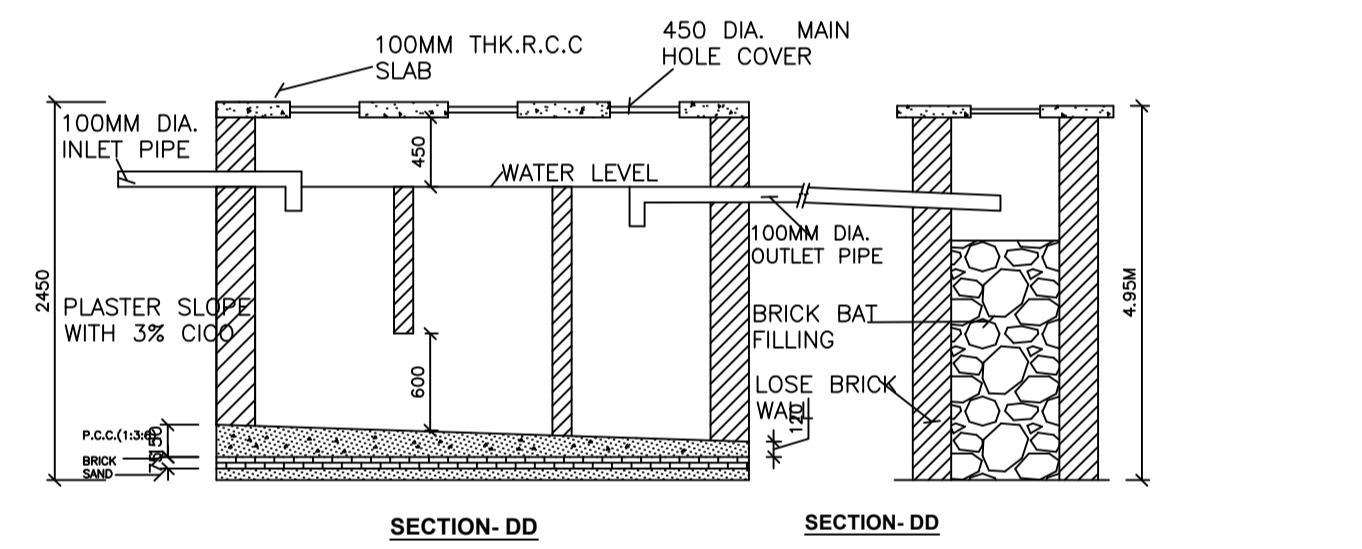
SECTION AT-Z-Z



DETAILS OF GROUND WATER RECHARGING PIT WITH SILT TANK

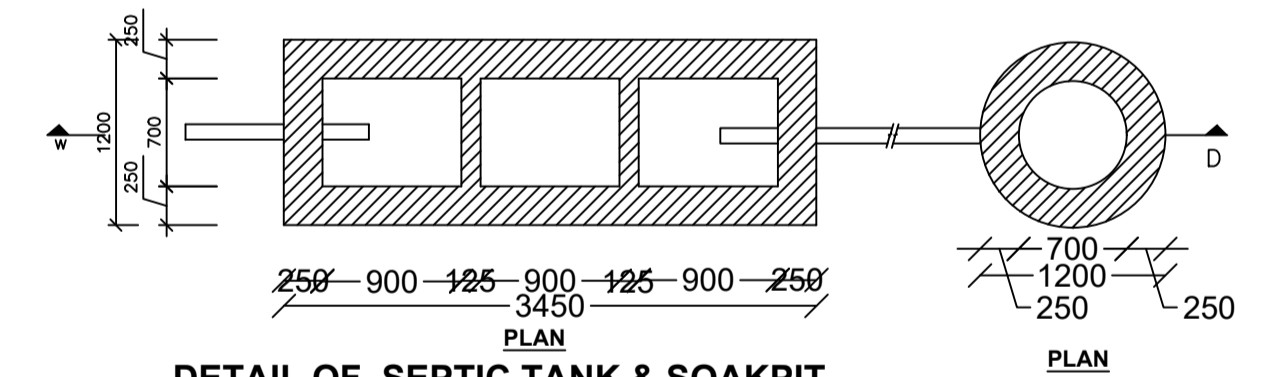


DETAIL OF FOUNDATION



SECTION-DD

SECTION-DD



DETAIL OF SEPTIC TANK & SOAKPIT.

PLAN SCALE - 1:50

Building :A1 (RESIDENCE)

Floor Name	Total Built Up Area (Sq.mt.)	Proposed FAR Area (Sq.mt.)	Total FAR Area (Sq.mt.)	Total Consumed Additional FAR Area (Sq.mt.)	Tnmt (No.)
Ground Floor	92.06	92.06	92.06	92.06	01
First Floor	92.06	92.06	92.06	92.06	00
Terrace Floor	0.00	0.00	0.00	0.00	00
Total:	184.12	184.12	184.12	184.12	01
Total Number of Same Buildings	1				
Total:	184.12	184.12	184.12	184.12	01

SCHEDULE OF DOOR:

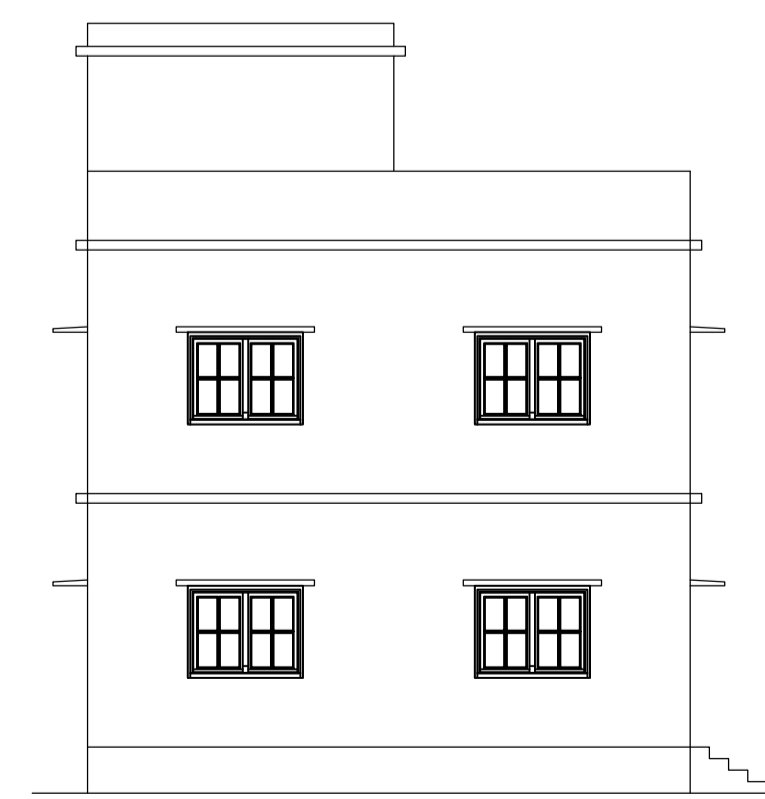
BUILDING NAME	NAME	LENGTH	HEIGHT	NOS
A1 (RESIDENCE)	D2	0.76	2.10	02
A1 (RESIDENCE)	D1	0.91	2.10	02
A1 (RESIDENCE)	D	1.07	2.10	07

SCHEDULE OF WINDOW/VENTILATION:

BUILDING NAME	NAME	LENGTH	HEIGHT	NOS
A1 (RESIDENCE)	V	0.61	1.20	02
A1 (RESIDENCE)	W2	0.91	1.20	02
A1 (RESIDENCE)	W	1.22	1.20	05
A1 (RESIDENCE)	W	1.52	1.20	06
A1 (RESIDENCE)	W	1.68	1.20	01

UnitBUA Table for Building :A1 (RESIDENCE)

FLOOR	Name	UnitBUA Type	UnitBUA Area	Carpet Area	No. of Rooms	No. of Tenement
GROUND FLOOR PLAN	SPLIT 1	FLAT	129.33	128.44	6	1
FIRST FLOOR PLAN	SPLIT 1	FLAT	0.00	0.00	6	0
Total:	-	-	129.33	128.44	12	1



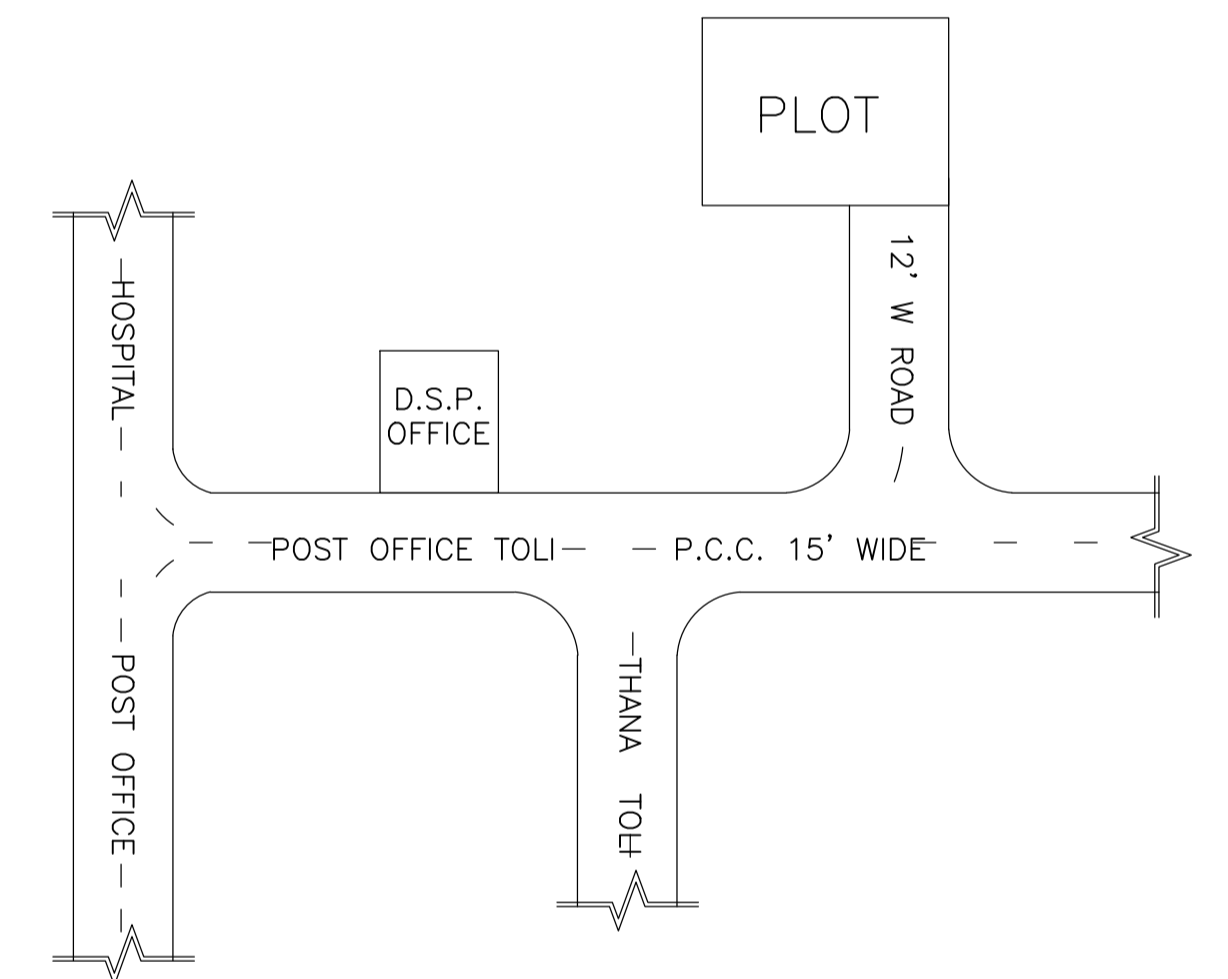
LEFT SIDE ELEVATION SCALE 1:100

LTP NAME AND SIGNATURE	STRUCTURAL ENG'S NAME AND SIGNATURE	BUILDER NAME AND SIGNATURE	DIGITAL SIGNATURE
RAM RATAN SINGH SINPC/DFTMN/0003/2020			

Proposal Basic Information	
Proposal File No.	SINPC/BP/0225/W05/2021
Owner Name	HEMLATA KUMARI
Khata No	109
Plot No	5193
Village Name	Gotra
Use	Residential
SubUse	Bungalow/ Dwelling / Non Apartment



**FRONT ELEVATION**  
SCALE 1:100



**LOCATION PLAN**  
NOT TO SCALE

LTP NAME AND SIGNATURE	STRUCTURAL ENG'S NAME AND SIGNATURE	BUILDER NAME AND SIGNATURE	DIGITAL SIGNATURE
RAM RATAN SINGH SINPC/DFTMN/0003/2020			